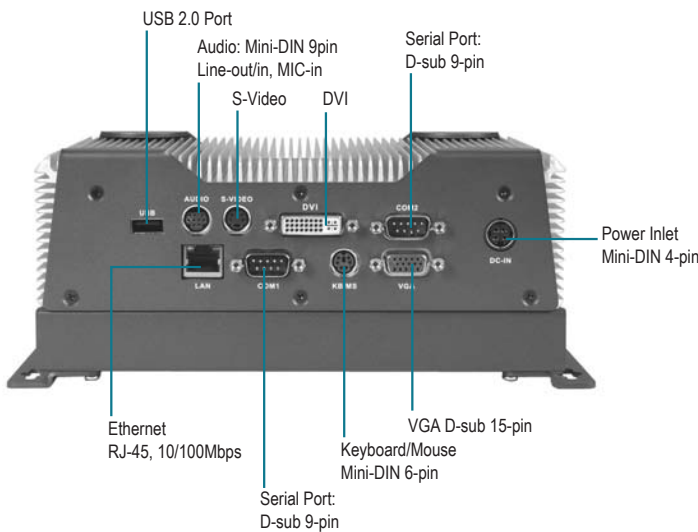
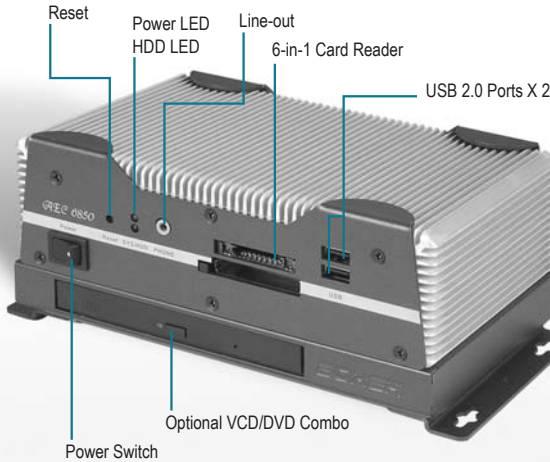


# AEC-6850

## Fanless Embedded Control PC with Intel® Celeron® M 600MHz / 1.3GHz, Card Reader



### Features

- ▶ Fanless Design Intel® Celeron® M 600 MHz / 1.3GHz Processor
- ▶ 6 in 1 Card Reader
- ▶ 2 COM / TV-out / USB 2.0 / Ethernet / DVI
- ▶ Optional Multiple Drive Bays
- ▶ Optional VCD/DVD Combo



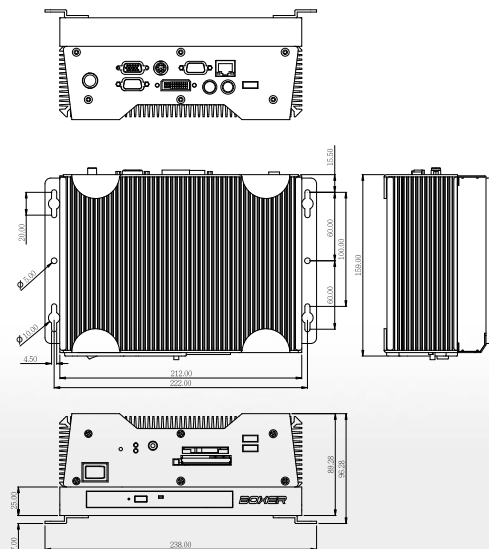
### Specifications

|                                     |   |
|-------------------------------------|---|
| CPU                                 | Intel® ULV Celeron® 600MHz/1.3GHz Processor   |
| System Memory                       | DDR SDRAM SODIMM x 1, Max. 512MB  |
| VGA / Keyboard / Mouse              | DB-15 VGA Connector x 1, PS/2 Keyboard & Mouse  |
| Ethernet                            | 10/100Base-TX RJ-45 connector x 1   |
| SSD                                 | 6-in-1 card reader(CompactFlash™, Secure Digital, Multi-Media Card, Memory Stick (PRO) and Smart Media), Type II CompactFlash™ slot x 1   |
| Drive Bay                           | Optional 2.5" Slim Hard Disk Drive + Slim CD ROM Module, Optional 3.5" Hard Disk Drive Module, Optional Dual 2.5" Slim Hard Disk Drive Module   |
| Serial Port                         | RS-232 x 1, RS-232/422/485 x 1  |
| USB                                 | 3 USB 2.0 ports   |
| Audio                               | Mic-in / Line-in / Line-out   |
| DVI                                 | DVI out connector x 1   |
| TV-out                              | RCA and S-video   |
| IEEE 1394                           | Optional IEEE 1394 port x 1   |
| System Control                      | Power switch x 1, Reset button x 1  |
| Indicator                           | Power LED x 1, Hard Disk Drive active LED x 1   |
| Watchdog Timer                      | Generates a time-out system reset, setting via software   |
| Power Supply                        | <b>AC model (105W AC-DC adapter)</b><br>Output rating: 105W<br>Input voltage: 100V AC ~ 240V AC@50 ~ 60Hz<br>Output voltage: 15@7A<br><b>DC model</b><br>Input voltage: DC 9V~ 30 V (5A~1.5A) |
| OS Support                          | Windows® CE .NET 4.2, Windows® XP Embedded, Windows® XP, Windows® 2000  |
| <b>Mechanical and Environmental</b> |   |
| Construction                        | Rugged Aluminum Alloy chassis   |
| Color                               | Dark Blue   |
| Mounting                            | DIN Rail, Wallmount   |
| Dimension                           | 8.35" (W) x 2.53" (H) x 6.26" (D)<br>(212mm x 64mm x 159mm)   |
| Net Weight                          | 5.57lb(2.53kg)  |
| Gross Weight                        | 10.34lb(4.7kg)  |

Note: All specifications are subject to change without notice.

## Dimension

Unit: mm



|                       |  |
|-----------------------|--|
| Operating Temperature | 14°F ~ 140°F (-15°C ~ 60°C)--- Celeron® M 600 MHz/CFD<br>14°F ~ 122°F (-15°C ~ 50°C)--- Celeron® M 600 MHz/HDD<br>14°F ~ 122°F (-15°C ~ 50°C)--- Celeron® M 1.3GHz/CFD<br>14°F ~ 113°F (-15°C ~ 45°C)--- Celeron® M 1.3GHz/HDD |
| Operating Humidity    | 5 ~ 95%@40°C, non-condensing   |
| Vibration             | 5 g rms / 5 ~ 500Hz / random operation (CFD)<br>1 g / 5 ~ 500Hz / random operation (HDD)   |
| Shock                 | 100g peak acceleration (11msec. duration)<br>15g peak acceleration (11msec duration)(HDD)  |
| EMC                   | CE/FCC Class A   |

## Optional Accessories

- **9681681000**  
USB to Parallel Port Adaptor Kit
- **9789666605**  
USB to 4 Serial Port Converter
- **9789666606**  
USB to 2 Serial Port Converter
- **9741081006**  
Easy I/O Module
- **9741681007**  
UPS Battery Module
- **9789666614**  
GPS Module

## Ordering Information

- **AEC-6850-A1**  
Embedded control PC, Intel® Celeron® M 1.3GHz CPU, Fanless, AC, Card reader, TV-out, DVI
- **AEC-6850-A2**  
Embedded control PC, Intel® Celeron® M 600MHz CPU, Fanless, AC, Card reader, TV-out, DVI
- **AEC-6850-A3**  
Embedded control PC, Intel® Celeron® M 1.3GHz CPU, Fanless, DC 9-30V, Card reader, TV-out, DVI
- **AEC-6850-A4**  
Embedded control PC, Intel® Celeron® M 600MHz CPU, Fanless, DC 9-30V, Card reader, TV-out, DVI