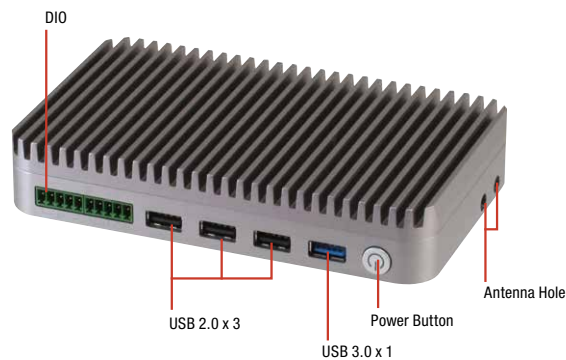
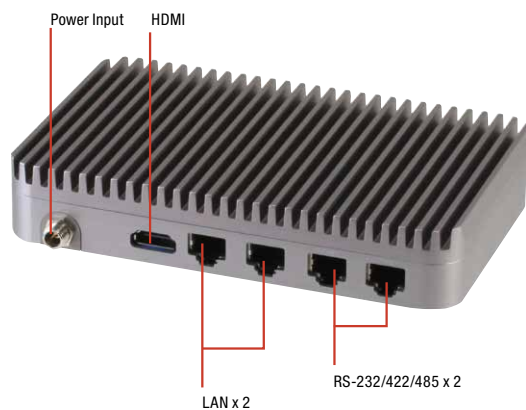


Wide Temperature Compact Embedded Box PC with Intel® Celeron® Processor SoC

Front View



Rear View



Features

- 4 Digital Input & 2 Digital Output Support Dry Contact & Wet Contact
- HDMI Output
- Seamless Communication for WiFi, 4G, GPS, Bluetooth, and ZigBee
- Aluminum Extrusion
- Operating in -30°C ~ 70°C Environment



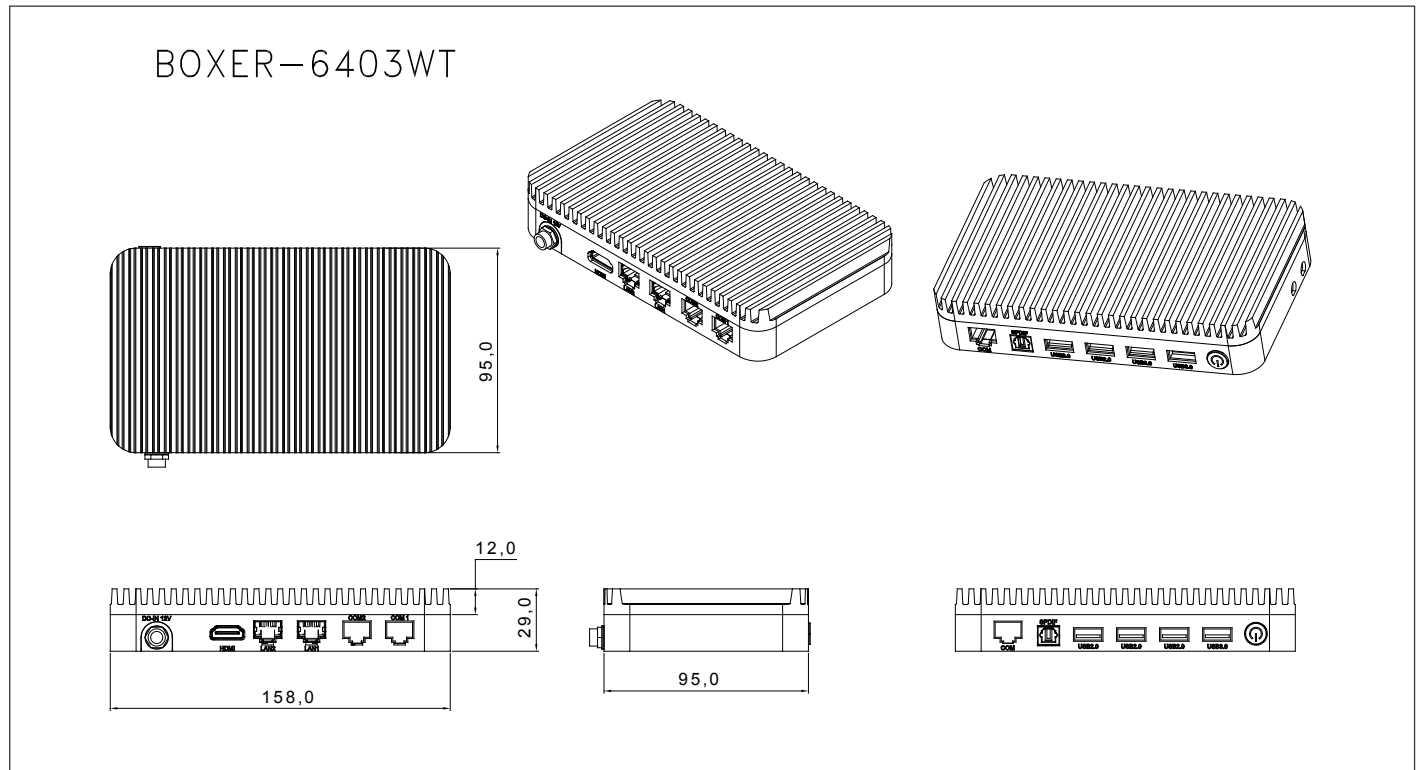
Specifications

CPU	Intel® Celeron® Processor J1900, Intel® Celeron® Processor N2807	
Chipset	—	
System Memory	204-pin DDR3L 1333MHz SODIMM slot x 1, up to 8 GB (J1900) or 4 GB (N2807)	
Display Interface	VGA	—
	DVI	—
	HDMI	HDMI x 1
	DP	—
	Others	—
Storage Device	2.5" HDD/SSD	—
	CFast	—
	mSATA	Half-size mSATA bay x 1
Network	LAN	Intel® Gigabit Ethernet
	Wireless	Optional by Mini-card module
Front I/O	USB Port	USB type A x 1 for USB3.0, USB type A x 3 for USB2.0
	LAN	—
	Serial Port	—
	Display	—
	DIO	Digital input x 4, Digital output x 2 Support Dry Contact & Wet Contact
	Audio	—
	PS/2	—
Others	Power button	
Rear I/O	USB Port	—
	LAN	RJ-45 x 2 for 10/100/1000 Base-TX
	Serial Port	RJ-45 x 2 for RS-232/422/485 (BIOS selection)
	Display	HDMI x 1
	DIO	—
	Audio	—
	PS/2	—
Others	Lockable DC-jack x 1	
Expansion	PCI	—
	Mini Card	Half size Mini-card slot x 1 for mSATA only Full size Mini-card slot x 1
	USB	Onboard USB 2.0 pin header x 1
	Others	Onboard LPC connector x 1, LVDS x 1
Indicator	Front	—
	Rear	—
Power Requirement	DC 12V input with lockable connector	
Power Consumption	—	
System Cooling	Passive	
Mounting	Wallmount	—
	Din Rail mount	Yes (optional)
	VESA mount	VESA 75 (optional)
	Desktop	—
Operating Temperature	-30°C ~ 70°C (-22°F ~ 158°F) with 0.5m/s airflow	
Storage Temperature	-30°C ~ 80°C (-22°F ~ 176°F), 5 ~ 95% @ 40°C, non-condensing	
Anti-Vibration	3G rms/ 5 ~ 500Hz/ operation – mSATA	
Anti-Shock	20 G peak acceleration (11 msec. duration) – mSATA	
MTBF (Hours)	—	
Certification	EMC	CE /FCC Class A
	Safety	—
	Others	—
Dimension (W x H x D)	158mm x 95mm x 29mm (6.22" x 3.74" x 1.41")	
Gross Weight	1.35kg (2.98 lb)	
Note	Windows® 10, Windows® 8.1, Windows® 7, Windows® Embedded 8 Standard, Windows® Embedded Standard 7, Linux Federa	

BOXER-6403WT

Dimension

Unit: mm



Ordering Information

Part Number	CPU	RAM	LAN	USB3.0	USB2.0	RS-232/422/485	Storage	Display	Expansion	Mounting	Power	Operating Temp.
BOXER-6403WT-A1-1010	Intel® N2807	Up to 4GB	2	1	3	2	Half-size mSATA bay x 1	HDMI	Full size Mini-card slot x 1	Din Rail/VESA 75	12V DC in	-30°C ~ 70°C (-22°F ~ 158°F) with 0.5m/s airflow
BOXER-6403WT-A2-1010	Intel® J1900	Up to 8GB	2	1	3	2	Half-size mSATA bay x 1	HDMI	Full size Mini-card slot x 1	Din Rail/VESA 75	12V DC in	-30°C ~ 70°C (-22°F ~ 158°F) with 0.5m/s airflow

Packing List

- RJ-45 to COM Cable x 2
- Power Adapter
- Product CD
- BOXER-6403WT

Optional Accessories

- **1702031802**
Power Cord (US type)
- **1702031803**
Power Cord (European Type)
- **170203180E**
Power Cord (Japanese Type)
- **9751640300**
4G Module & Antenna (for Europe)
- **9751640301**
4G Module & Antenna (for USA)
- **9751640303**
WiFi/BT Module & Antenna
- **125530060A**
Power Adapter
- **9741640300**
VESA Mount Kit
- **9741640301**
DIN Rail Mount Kit