

12.1" Fanless Multi-touch Panel PC with 8th Generation Wiskylake-U 4 Cores Intel® Core™ i5-8265U Processor & Multiple I/O



Features

- 12.1" LCD Panel with Projected Capacitive / Resistive Touch Display
- Intel® 8 Generation Intel® Core™ i5 Processor up to 3.9 GHz
- DDR4 2400 / 2666 MHz SO-DIMM up to 32 GB
- Two-Finger Touch Control while Wearing Gloves
- Front Cover IP54 Protection

Applications

- Human Machine Interface (HMI)
- Factory / Manufacturing Automation
- ATM / Self-service / Kiosk Applications
- Vending Machine / Ticketing Machine

→ Packing List

Description
1 x PPC-128
1 x Power Adapter
6 x Panel Mounting Screws

→ Optional Items

Part No.	Description
AWD-WF001	Wi-Fi 802.11 b/g/n (1T1R) + 1 antenna, Half size mini PCIe
AWD-WF003	Wi-Fi 802.11 a/b/g/n/ac/BT4.0 (2T2R) + 2 antenna(dual band), Half size mini PCIe
AWD-WF004	Wi-Fi 802.11 b/g/n/BT4.0 (1TR) + 2 antenna(dual band), M.2 2230 type
AWD-WF005	Wi-Fi 802.11 a/b/g/n/ac/BT4.0 (2T2R) + 2 antenna(dual band), M.2 2230 type
AWD-3G002	3G UC20-G (HSPA+) + 1 antenna, Full size with SIM socket
AWD-4G001	4G(LTE) EC20-E+ 2 antenna, Full size with SIM socket
AWD-4G002	4G(LTE) EC25-J+ 2 antenna, Full size with SIM socket

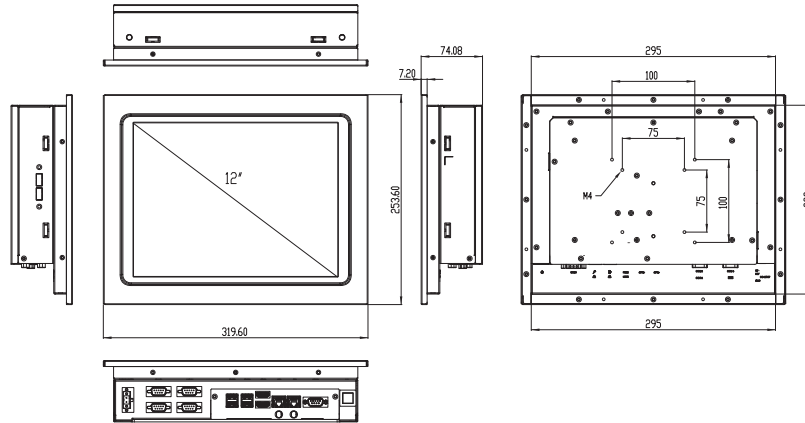
→ Ordering Information

Part No.	Description
PPC-128P	12.1" 4:3 (1024 x 768), 450nits, Fanless Panel PC with Intel® Core™ i5-8265U Processor, Projected Capacitive Touch, 4 USB 3.1 Gen2, 3 RS-232, 1 RS-232/422/485, 8bits GPIO, Line out, Mic in, 2 GbE, 2 HDMI, DC 9-36 V,input Phoenix Connector
PPC-128R	12.1" 4:3 (1024 x 768), 450nits, Fanless Panel PC with Intel® Core™ i5-8265U Processor, 5-wire Resistive Touch , 4 USB 3.1 Gen2, 3 RS-232, 1 RS-232/422/485, 8bits GPIO, Line out, Mic in, 2 GbE, 2 HDMI, DC 9-36 V,input Phoenix Connector

PPC-128

Arestech

→ Dimensions



→ Specifications

Cut out : 297*230 mm

Model		PPC-128P	PPC-128R
Processor System	CPU	Intel® Core™ i5-8265U	
	Frequency	Quad-Core up to 3.9 GHz	
	L2 Cache	Intel® Smart Cache 8 MB	
	System Chipset	N/A	
	BIOS	UEFI	
Memory	Technology	Dual channel DDR4 SO-DIMM sockets	
	Max. Capacity	8 GB	
	Socket/ (On Board)	2, (260-pin SO-DIMM)	
Display	Panel Size	12.1" LCD Panel	
	Aspect Ratio	4:3	
	Resolution	1024 x 768 (XGA)	
	Viewing Angle	80 x 80 (H) x 80 x 80 (V)	
	Brightness	450 (cd/m2)	
	Contrast Ratio	600:1	
	VGA / HDMI / DP / DVI	2, HDMI 1.4b, up to 4096x2304@24Hz	
	Multi Display	LCD Panel+ HDMI	
Touchscreen	Touchscreen Type	Projected Capacitive	5-Wire Resistive
	Surface Hardness	7 Mohs	3 Mohs
	Durability	N/A	36 millions times
	Transparency	90% (±3%)	80% (±3%)
I/O Interface	USB	4 USB 3.1 Gen 2	
	Serial Port	4, COM (3 RS-232, 1 RS-232/422/485)	
	Digital I/O	1, 8-pin Digital I/O (DB-9 connector)	
	Ethernet	2 x GbE LAN ports (Intel® i219V and Intel® i211AT)	
	Others	N/A	
Expansion	miniPCIe/ M.2 Slot	1, Mini-PCIe full size (PCIe X1 & USD 2.0) , 1, M.2 2230 A/E-key (WiFi & BT)	
	PCI/ PCIe Slot	N/A	
Audio	Connector	Line out/Mic in	
Storage	HDD/SSD	1, Internal 2.5" HDD/SSD	
	mSATA/ M.2 / eMMC	1, M.2 B/M-key 2280 (SATAIII & PCIe X4)	
Power	Power On Model	AT/ATX	
	Power Supply Voltage	Supports 9-36 V DC input (Phoenix Connector)	
	Connector Type	2-Pin Terminal Block, Phoenix Connector	
	Power Consumption(Typical/Max.)	Typical: 11.8W@12V(0.92A), Max:42.3W@12V(3.53A)	
	Battery	CR2032;3.3V	
Mounting	VESA Mount	75mmx 75mm; 100mm x 100mm	
	Panel Mount	Cut out 297 x 230 mm mm, Thickness range under 15 mm	
	Others	N/A	
Environment	Operating Temperature	-20~60° C (-4~140° F) w/ Extended Operation Temp. RAM & 2.5" SSD	
	Storage Temperature	-40~85° C (-40~185° F)	
	Humidity	5~95% @ 40° C, non-condensing	
	Vibration	1 Grms, IEC 60068-2-64, random, 5~500 Hz, 1 Oct/min., 1hr/axis, x, y, z 3 axes	
	Shock	20 G, IEC 60068-2-27, half sine, 11 ms duration	
General	Certification	TBD	
	Thermal Dissipation	Fanless	
	Material, Surface Finish	SECC Front Cover	
	Ingress Protection	Front Cover IP54 Protection	
	Dimensions (L x W x H)	319.6 x 253.6 x 74.08(12.58" x 9.98" x 2.72")	
	Net Weight	3.75kg(8.27lb)	
	Operating System	Windows 10 IoT 64Bit, Linux kernel 4.0.x or above	