

TPM-3218

Arestech

Industrial 18.5" HD LCD multi-touch monitor



Features

- 18.5" LCD Panel up to 1366 x 768 (HD) Resolution
- Backlight Provides 20~30% Power Savings Projected
- Capacitive Multi-touch Screen
- Panel and VESA Mounting
- 7 Mohs Screen Hardness
- 90% Transparency Provides Clear Image

Applications

- Industrial HMI Display Systems
- ATM / Self-service / Kiosk Applications
- Vending / Ticketing Machines
- Point-of-information Terminals
- Factory / Machine Automation

→ Packing List

Description
1 x TPM-3218
1 x USB Cable
1 x VGA Cable
1 x Power Adapter (AC-to-DC 12 V @ 3.3 A, 40 W)

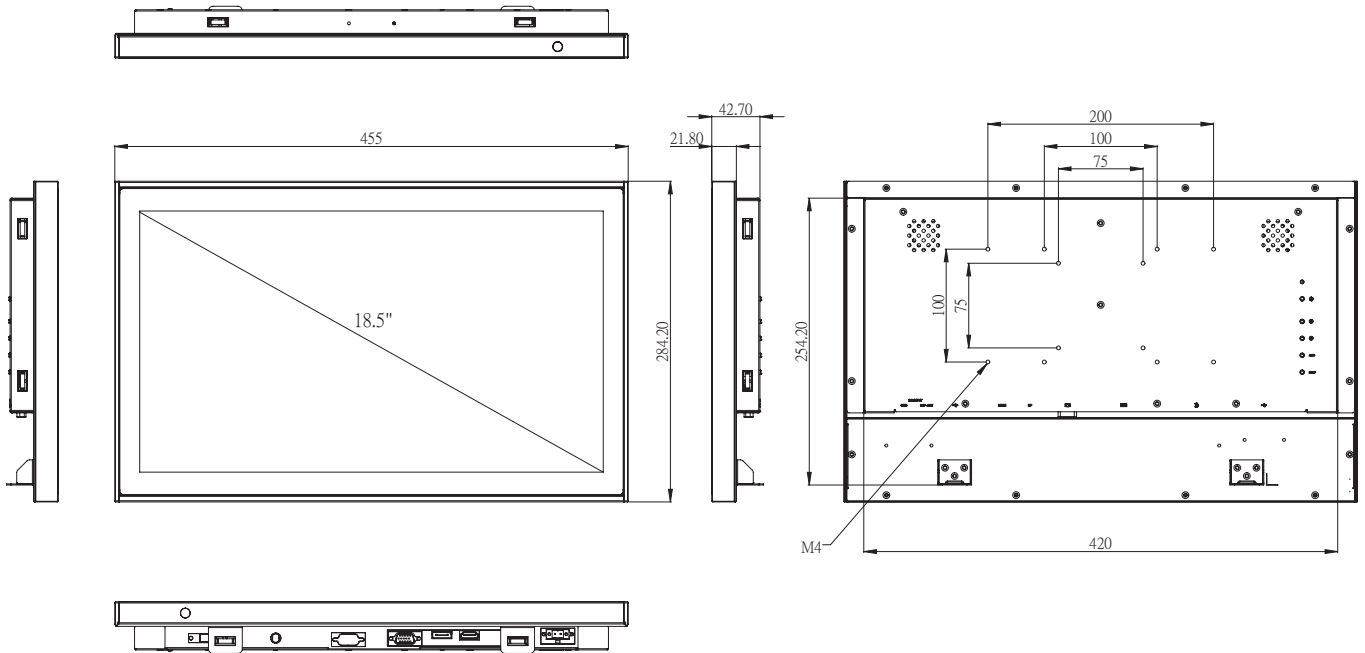
→ Optional Items

Part No.	Description
ACS-PS-US	Power Cable 3-pin, 180 cm, USA Type
ACS-PS-EU	Power Cable 3-pin, 180 cm, Euro Type
ACS-PS-CN	Power Cable 3-pin, 180 cm, China Type
ACS-100-STD	VESA Table Stand

→ Ordering Information

Part No.	Description
TPM-3218P-A3	18.5" 16:9 (1366 x 768), 250nits, IP54 front panel, Projected capacitive touch screen, USB interface, 1 VGA, 1 DP, 1 HDMI, DC 12~24V, Phoenix Connector, 2W Speaker

→ Dimensions



Cut Out : 422mm*256.2mm
Thickness Limit : 6mm

→ Specifications

Model		TPM-3218
Display	Panel Size	18.5" LED LCD Panel
	Resolution	1366 x 768 (HD)
	Viewing Angle	85 x 85 (H), 80 x 80 (V)
	Brightness	250 (cd/m2)
	Color Support	16.7 M
	Contrast Ratio	1000:1
	Response Time	5 (msec)
Touchscreen	Type	Projected Capacitive multi-touch screen
	Surface Hardness	7 Mohs
	Transparency	90% (±3%)
I/O Interface	Video Interface	1 VGA, 1 DP, 1 HDMI
	Touch Interface	1 USB
	Speaker Out	Audio Jack, with 2 W Amplifier
OSD Control	Function Key	5 Keys: Menu, Up, Down, Auto Adjust, Monitor Power on/off Menu Functions: Brightness, Contrast, Color Adjust, Color Temp, Auto Color, Language
Power	Power Connector	DC Jack
	Power Input	12-24 V DC power input, single power source
	Power Consumption (Typical)	9 W
	Power Adapter	40 W power adapter, with AC 100-240 V input and DC +12 V @ 5A MAX output
Environment	Operating Temperature	0~50° C (32~122° F)
	Storage Temperature	-30~70° C (-22~158° F)
	Humidity	5~95% @ 40° C, Non-condensing
	Vibration	5-500 Hz, 0.026 G ² /Hz, 2.16 Grms, X, Y, Z, 1 hour per axis
General	Ingress Protection	IP54
	Dimensions (L x W x H)	455 x 284.2 x 42.8 mm (17.91" x 11.19" x 1.69")
	Weight	4.5 kg (9.9 lb)
	Operating System	Single-touch: Windows XP Multi-touch: Windows 7/8.1/10, WES7-P, WE8S