

eBOX627-312-FL NEW

Fanless Embedded System with Intel® Celeron® N3350 2.4 GHz, 1 HDMI, 2 GbE LANs, 6 USB, 4 COM and 9 ~ 36 VDC

Features

- Intel® Celeron® N3350 2.4 GHz dual-core SoC
- 204-pin DDR3L-1866 SO-DIMM, up to 8GB
- 2 GbE LANs, 4 COM and 6 USB
- Flexible I/O Window® & TPM 1.2 supported
- -20°C to +70°C wide operating temperature range
- 9 ~ 36 VDC wide range DC input
- AXView 2.0 intelligent embedded monitoring software for IIoT

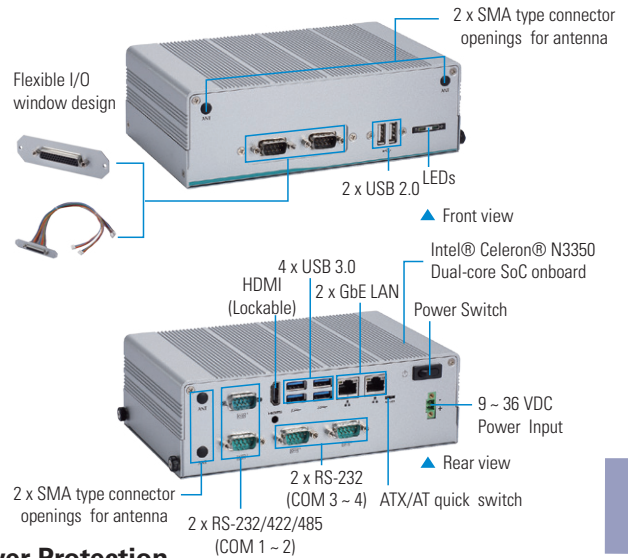


Specifications

Standard Color	Silver	
Construction	Aluminum extrusion and heavy-duty steel, IP40	
CPU	Intel® Celeron® N3350 2.4 GHz	
System Memory	1 x 204-pin DDR3L-1866 SO-DIMM, up to 8GB	
Chipset	SoC integrated	
BIOS	AMI	
System I/O Outlet	2 x RS-232/422/485 (COM 1/2) 2 x RS-232 (COM 3/4) 1 x HDMI 2 x 10/100/1000Mbps Ethernet (Intel® i211-IT) 2 x USB 2.0 4 x USB 3.0 4 x SMA type connector opening for antenna 1 x Phoenix type VDC power input connector 1 x AT/ATX switch 1 x ATX power switch 1 x Flexible I/O Window (default : 2 x DB9 half cut bracket)	
Watchdog Timer	Reset: 1sec. ~ 65535sec./min. and 1sec. or 1min./step	
Storage	1 x 2.5" HDD/SSD bay, max. 9.5 mm height 1 x mSATA (optional)	
Expansion Interface	2 x full-size PCI Express Mini Card slot (USB + PCI Express signal) 1 x SIM slot	
System Indicator	1 x green LED for system power-on 1 x yellow LED for HDD/SSD active	
Power Supply	9 ~ 36 VDC	
Operating Temperature	Turbo Mode	-20°C ~ +65°C (-4°F ~ +149°F) (with W.T. SSD/DRAM for 9 ~ 36 VDC) (Default)
	Non-turbo Mode	-20°C ~ +70°C (-4°F ~ +158°F) (with W.T. SSD/DRAM for 12 or 24 VDC)
Humidity	10% ~ 95%, non-condensing	
Vibration Endurance	3 Grms with SSD (5 ~ 500Hz, X, Y, Z directions)	
Dimensions	200 mm (7.87") (W) x 120 mm (4.72") (D) x 65 mm (2.55") (H)	
Weight (net/gross)	1.38 kg (3.04 lb)/2.08 kg (4.59 lb)	
Certification	CE, FCC Class A	
EOS support	Win 10 IoT, Linux, AXView 2.0	

Packing List

- 1 x Quick manual
- 1 x Driver CD
- 1 x Screws pack
- 1 x DRAM thermal pad
- 4 x Pre-installed foot pad
- 1 x 2-pin terminal block connector



Power Protection

- AC Version**
- OVP (over voltage protection)
 - UVP (under voltage protection)
 - SCP (short current protection)

Ordering Information

Standard	
eBOX627-312-FL-DC	Fanless embedded system with Intel® Celeron® N3350 2.4 GHz, 1 HDMI, 2 GbE LANs, 6 USB, 4 COM and 9 ~ 36 VDC

Optional	
2.5" SATA HDD	80GB or above
2.5" SATA SSD	40GB or above
DDR3L SO-DIMM	1GB ~ 8GB
mSATA	512MB or above
	Wi-Fi module
	3G/LTE module
E392903102	AX92903 CANbus Mini PCI Express module
E392903103	AX92903 CAN module w/ CANopen
E392902103	AX92902 LAN Mini PCI Express module
E392906101	AX92906 COM Mini PCI Express module
E392904102	AX92904 DIO Mini PCI Express module
8816K6271AOE	Wall mount Kit
8816K6272AOE	VESA mount kit
8816K6273AOE	DIN-rail kit
50906D24000E	24V 120W adapter

*Specifications and certifications may vary according to various options.

Dimensions

