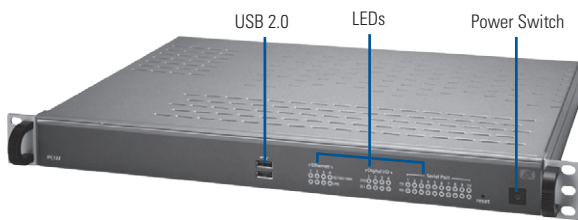


IPC122-833-FL

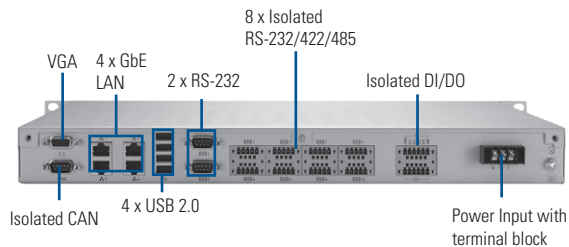
IEC 61850-3/IEEE 1613 Certificated
1U Rackmount Fanless Embedded Computer
with Intel® Atom™ Processor N2800 Multiple
Isolated LAN, Isolated COM, CAN Bus and
DIO

Features

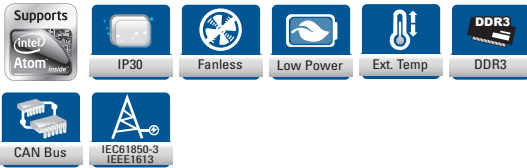
- IEC 61850-3 and IEEE 1613 certified for substation automation
- Highly efficient heat conduction with fanless design
- Intel® Atom™ processor N2800 (1.86 GHz)
- DDR3-800/1066 SO-DIMM supports up to 4 GB memory
- Isolated COM, LAN, CANBus and DIO ports
- One 2.5" SATA HDD and one CFast™ socket
- Wide temperature -10°C ~ +55°C for hash environment
- 100 ~ 240VAC and 134 ~ 370VDC wide range power input



▲ Front view



▲ Rear view



Specifications

Standard Color	Silver														
Construction	Heavy-duty cold-rolled steel, IP30														
CPU	Intel® Atom™ processor N2800 (1.86 GHz) onboard														
System Board	SBC87833														
BIOS	AMI UEFI BIOS														
System Memory	1 x 204-pin DDR3-800/1066 SO-DIMM, max. up to 4 GB														
I/O Interface-Front	1 x Power on/off, 1 x Reset, 2 x USB 2.0														
I/O Interface-Rear	<table border="0"> <tr> <td>Serial Port</td> <td>2 x RS-232 8 x isolated RS-232/422/485 ESD protection: 2.5KV</td> </tr> <tr> <td>LAN</td> <td>4 x 10/100/1000Mbps Ethernet Magnetic isolation protection: 1.5KV</td> </tr> <tr> <td>USB</td> <td>4 x USB 2.0</td> </tr> <tr> <td>DIO</td> <td>1 x isolated DI/DO (4-IN/4-OUT) DI: Input range: 0-30VDC at 25Hz Logic level 0: Close to GND Logic level 1: Open DO: Logic level 0: +/-12VDC min to +/-30V max. (source to DI) Logic level 1: 0 min. to +/-3VDC max.</td> </tr> <tr> <td>VGA</td> <td>1 x DB15 connector</td> </tr> <tr> <td>Power Input</td> <td>1 x power input with terminal block</td> </tr> <tr> <td>CAN Bus</td> <td>1 x CAN Bus (DB9 Connector) Magnetic isolation protection: 2.5KV</td> </tr> </table>	Serial Port	2 x RS-232 8 x isolated RS-232/422/485 ESD protection: 2.5KV	LAN	4 x 10/100/1000Mbps Ethernet Magnetic isolation protection: 1.5KV	USB	4 x USB 2.0	DIO	1 x isolated DI/DO (4-IN/4-OUT) DI: Input range: 0-30VDC at 25Hz Logic level 0: Close to GND Logic level 1: Open DO: Logic level 0: +/-12VDC min to +/-30V max. (source to DI) Logic level 1: 0 min. to +/-3VDC max.	VGA	1 x DB15 connector	Power Input	1 x power input with terminal block	CAN Bus	1 x CAN Bus (DB9 Connector) Magnetic isolation protection: 2.5KV
Serial Port	2 x RS-232 8 x isolated RS-232/422/485 ESD protection: 2.5KV														
LAN	4 x 10/100/1000Mbps Ethernet Magnetic isolation protection: 1.5KV														
USB	4 x USB 2.0														
DIO	1 x isolated DI/DO (4-IN/4-OUT) DI: Input range: 0-30VDC at 25Hz Logic level 0: Close to GND Logic level 1: Open DO: Logic level 0: +/-12VDC min to +/-30V max. (source to DI) Logic level 1: 0 min. to +/-3VDC max.														
VGA	1 x DB15 connector														
Power Input	1 x power input with terminal block														
CAN Bus	1 x CAN Bus (DB9 Connector) Magnetic isolation protection: 2.5KV														

Watchdog timer	1 sec, 255 levels	
LEDs	System : 1 x Power, 1 x HDD Gigabit LAN : 4 x Active, 4 x Link Serial : 10 x TX, 10 x RX Digital I/O : 4 x DI, 4 x DO	
Storage	1 x on board CFast™ socket 1 x 2.5" SATA HDD drive bay	
Installation	Rack mount	
Power Supply	Power Input	AC: 100 ~ 240VAC, 2.5A, 50/60Hz DC: 134 ~ 370VDC, 2.5A
	Power Protection	SCP (Short Circuit Protection) OVP (Over Voltage Protection)
Power Consumption	45W	
Operating Temperature	-10°C ~ +55°C (14°F ~ 131°F) (with W.T. HDD)	
Storage Temperature	-20°C ~ +80°C (-4°F ~ +176°F)	
Humidity	10% ~ 90%, non-condensing	
Dimensions	427 mm (16.81") (W) x 301 mm (11.85") (D) x 44 mm (1.73") (H)	
Weight (net/gross)	5.02 kg (11.07 lb)/ 6.02 kg (13.27 lb)	
Certification	IEC 61850-3, IEEE 1613, CE	

Ordering Information

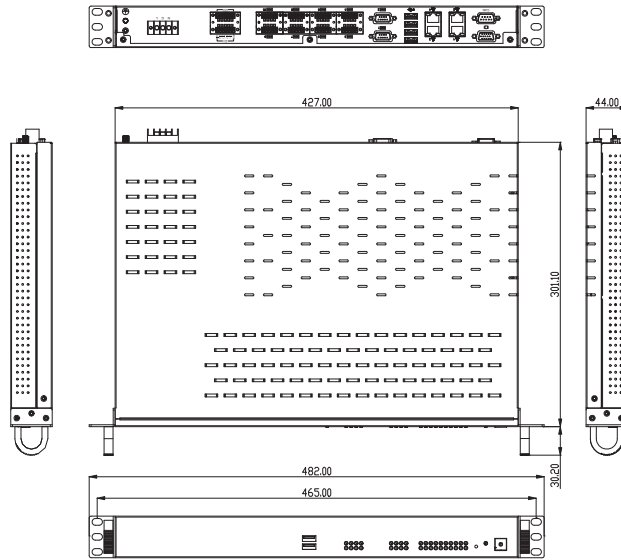
IPC122-833-FL (P/N: E26G122100)	IEC61850-3 and IEEE1613 certified 1U fanless barebone system with Intel® Atom™ processor N2800, multiple LAN and multiple COM
------------------------------------	---

*Specifications and certifications are based on options and may vary.

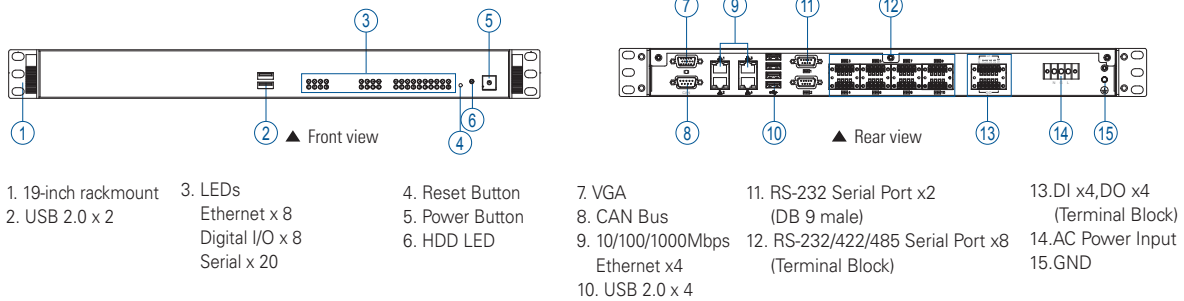
Packing List

- 1 x IPC122-833-FL unit
- 1 x utility CD
- 1 x screw pack
- 4 x Foot pad
- 2 x thermal pad for DRAM
- 2 x Rack mount handle
- 2 x Rack mount Ear
- 1 x HDD Mylar
- 8 x 5-Pin Phoenix connector
- 2 x 6-Pin Phoenix connector

Dimensions



Front & Rear Metal Panel I/O Layout



- | | | | | | |
|----------------------|-----------------|-----------------|--------------------|-----------------------------------|--------------------|
| 1. 19-inch rackmount | 3. LEDs | 4. Reset Button | 7. VGA | 11. RS-232 Serial Port x2 | 13. DI x4, DO x4 |
| 2. USB 2.0 x 2 | Ethernet x 8 | 5. Power Button | 8. CAN Bus | (DB 9 male) | (Terminal Block) |
| | Digital I/O x 8 | 6. HDD LED | 9. 10/100/1000Mbps | 12. RS-232/422/485 Serial Port x8 | 14. AC Power Input |
| | Serial x 20 | | Ethernet x 4 | (Terminal Block) | 15. GND |
| | | | 10. USB 2.0 x 4 | | |

