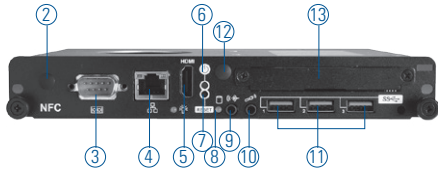


OPS882-HM

4th Generation Intel® Core™ i5 Processor
IPSS/OPS Digital Signage Player with
Intel® HM86, 4K2K and AVB (Audio Video
Bridging) 802.11AS



- | | | |
|-----------------|---------------------|------------------------|
| 1. JAE TX-25 | 6. Power Switch | 11. 3 x USB 3.0 |
| 2. Optional NFC | 7. Reset | 12. Optional Antenna |
| 3. RS-232 | 8. HDD indicator | 13. 2.5" SATA HDD tray |
| 4. Ethernet | 9. Audio (Line-out) | |
| 5. HDMI Output | 10. Audio (Mic.-in) | |



Specifications

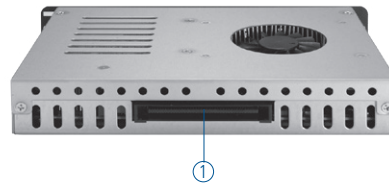
Main System	CPU	4th generation Intel® Core™ i5 processor (Haswell Refresh)
	Chipset	Intel® HM86
	System Memory	2 x 204-pin DDR3L-1600 SO-DIMM max. up to 16 GB
	Storage	1 x 2.5" SATA HDD tray
	Watchdog Timer	255 levels, 1-255 sec.
I/O	3 x USB 3.0	
	1 x 10/100/1000Mbps Ethernet (Intel® I210, supports AVB feature)	
	1 x HDMI	
	1 x RS-232 (COM2)	
	1 x power on/off button	
	1 x reset button	
	1 x Audio Line-out	
	1 x Audio Mic-in	
	1 x Display Port (via OPS JAE interconnector) (Pure DP)	
	2 x USB 2.0 (via OPS JAE interconnector)	
	1 x USB 3.0 (via OPS JAE interconnector)	
	1 x Audio (Line out, via OPS JAE interconnector)	
1 x UART (TX/RX, via OPS JAE interconnector)(COM1)		
Indicator	1 x LED for system power ON	
	1 x LED for HDD active	
WiFi	Optional 802.11 b/g/n	
Expansion Slot	1 x full-size PCI Express Mini card (Optional for mSATA or SIM slot)	
	1 x half-size PCI Express Mini card	
Dimensions	200 mm (7.87") (W) x 119 mm (4.68") x 30 mm (1.18")	
Packing Dimension	270 mm (10.63") (W) x 197 mm (7.76") x 70 mm (2.76")	
Weight (net/gross)	1 kg (2.21lb)/ 1.5 kg (3.3 lb)	
Environmental	0°C ~ +45°C (+32°F ~ +113°F) (with airflow 1.2 m/s)	

Packing

- 1 x Driver CD
- 1 x Thermal Grease
- 2 x M2 x 5 screw
- 2 x M4 x 6 screw

Features

- Open Pluggable Specification (OPS) compliance
- Supports 4th Generation Intel® Core™ i5 processor (Haswell Refresh)
- Intel® HM86 chipset
- 2 DDR3L-1600 SO-DIMM 1600 max. up to 16 GB
- Supports 3 USB 3.0 ports, 2 PCI Express Mini Card
- HDMI for 2nd display
- Supports 4K resolution
- Supports TPM 1.2
- Supports AVB (Audio Video Bridging) feature
- NFC feature (optional)



Optional OS Installation

- Windows® 7
- Windows® 8.1

Ordering Information

Standard

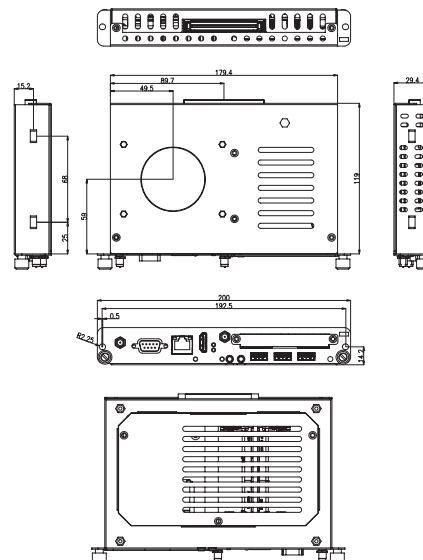
OPS882-HM-i5	OPS digital signage player 4th generation Intel® Core™ i5 processor onboard (i5-4410E)
--------------	--

Optional

AX93157	OPS docking board
AX93167	OPS docking board with 4K solution
NFC module	NFC Antenna module kit

* Specifications and photos are based on options and may vary.

Dimensions



* All specifications and photos are subject to change without notice.