



EBA1540-FC

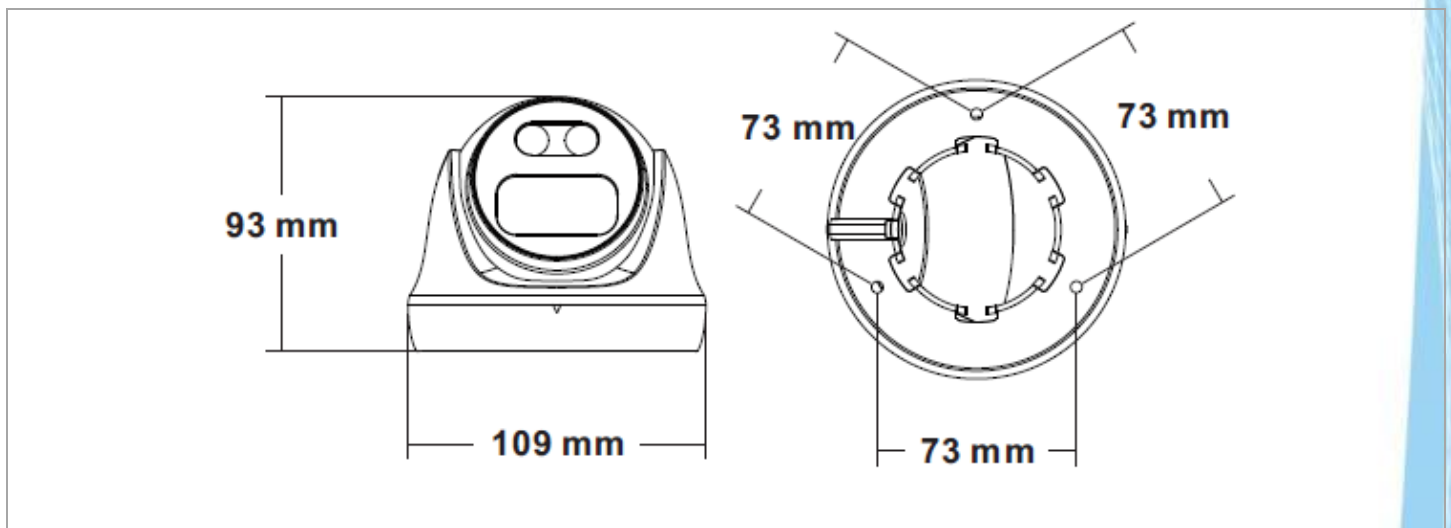
5-Megapixel Day/Night 24 Hour Full Color
Outdoor Ball Camera



Features

- 5MP Progressive scan CMOS sensor
- 3.6mm fixed lens
- Supports 3DNR (Digital Noise Reduction)
- 1944P Full HD and 25m night vision provide crystal-clear video streaming day and night.
- Supports UTC function: Control camera OSD settings directly from DVR end
- Weather-proof IP67 rated
- The flexible angle viewing with its 3-Axis rotation design allows wall or ceiling mounting

Dimensions



*All images presented in this document are for example only. Product models may vary in different countries. Please visit EverFocus regional Websites for detailed ordering information.

*Information contained in this document is subject to change without notice.

Specification

Camera	
Pickup Device	1/2.5" Progressive Scan CMOS sensor
Lens	8M:3840*2160 5M:2592*1944 4M:2560*1440 2M:1920*1080
TV System	PAL/NTSC
Electronic Shutter	AUTO
Lens	
Focus Length	3.6mm
Lens Type	Fixed
Night Vision	
IR Cut Filter	Yes
Infrared LED	NO , Suport Warm white (4000K)
Light Distanc	up to 25m
IR Status	AGC Auto Control
Camera features	
Day/Night	Color
OSD Menu	Yes
UTC	Yes
Noise Reduction	3DNR
White Balance	AUTO / MANUAL
Gain Control	AUTO
General	
Power	DC12V±10%
	Power consumption: Max 450mA
Dimensions (Ø x H)	Ø 109 x 93(H) mm
Net Weight	800kg
Material	Metal
Working Environment	-10°C ~ +60°C RH95% Max
Strorage Environment	-20°C ~ +60°C RH95% Max
Ingress Protection	IP67

Find Out More At:

EverFocus Taiwan HQ:

TEL: +886 2 26622338

www.everfocus.com.tw

marketing@everfocus.com.tw

EverFocus USA - California:

TEL: +1 626 844 8888

www.everfocus.com

sales@everfocus.com

International Branch Offices:

China, Japan

