

## EBN1240-SG

2-Megapixel IR & WDR,  
Outdoor Ball Network Camera

ONVIF



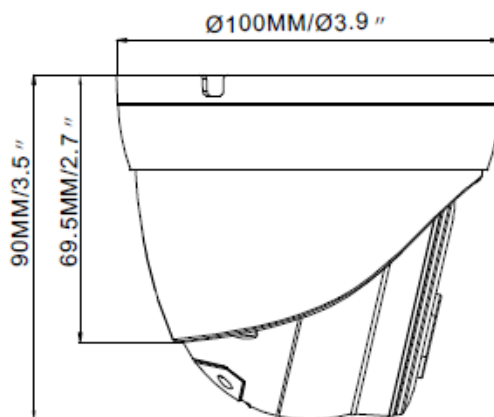
HEVC Advance™  
Covered by Patents at [patentlist.hevcadvance.com](http://patentlist.hevcadvance.com)



## Features

- 2MP Progressive scan CMOS sensor
- Equipped with 3.6mm fixed lens
- Dual-streaming from H.265 / H.264
- Supports 3D DNR (Digital Noise Reduction)
- Provides True Day/Night functionality with automatic IR filter operation
- Extended IR range up to 30m / 98ft.
- Supports ONVIF
- Weather-proof IP66 rated
- Supports PoE and 12VDC

## Dimensions



# Specification

Camera	
Pickup Device	1/2.7", 2.0 megapixel, progressive scan, CMOS
Lens	3.6mm, fixed lens, F No.2.3±10%
Angle of View	Horizontal: 86.1°, Vertical: 46°, Diagonal: 104°
Shutter	1/5 ~ 1/20000s
Minimum Illumination	Colour: 0.05Lux (F1.6, AGC ON) 0Lux with IR
Day/Night	IR cut filter with auto switch ( Day/Night/Auto/Schedule )
IR Range	Up to 30m (98ft) IR range
Video	
Video Compression	H.265/H.264
Frame Rate	Main stream 1080P(1920x1080) Sub stream VGA(640x480)
Max. Framerate	50Hz: 25fps /1920x1080    20fps /640x480 60Hz: 30fps /1920x1080    20fps /640x480
Video Quality Adjustment	128Kbps ~ 4Mbps
Bitrate control method	CBR/VBR
Privacy Masking	Off/On (4 Zone, Rectangle)
Motion Detection	Off/On (8 Level)
Image	
Backlight Compensation	Off/On (5 Zone)
Wide Dynamic Range	DWDR
Digital Noise Reduction	3D DNR
Gain Control	Auto
White Balance	Auto/Manual
Flip / Mirror	Flip/Rotation
Network	
Protocols	TCP/IP,HTTP,DHCP,DNS,DDNS,RTP/RTSP, SMTP,NTP,UPnP,SNMP,HTTPS,FTP
Compatible Integration	ONVIF
Web Viewer	IE8,9,10,11, Chrome 44/lower, Firefox 51/lower
General	
Power	DC12V/POE(IEEE802.3af) Power consumption: TBD
Storage	Micro SD slot, up to 256GB
Alarm	NA
Audio	Built-in microphone
Dimensions (Ø x H)	Ø100x90mm
Net Weight	appr 420g
Material	White/Metal
Working Environment	-30 ~ +60°C/less than ≤ 95% RH
Ingress Protection	IP66
Reset Button	Supported

---

**Find Out More At:**

***EverFocus Taiwan HQ:***

TEL: +886 2 26622338

[www.everfocus.com.tw](http://www.everfocus.com.tw)

[marketing@everfocus.com.tw](mailto:marketing@everfocus.com.tw)

***EverFocus USA - California:***

TEL: +1 626 844 8888

[www.everfocus.com](http://www.everfocus.com)

[sales@everfocus.com](mailto:sales@everfocus.com)

***International Branch Offices:***

China, Japan