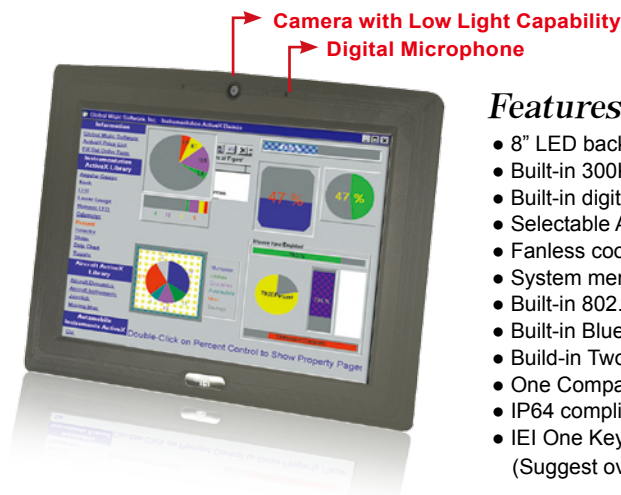


8" SVGA AFOLUX PPC

# AFL-08B-N270

Intel® Atom™ Processor N270 1.60 GHz



## Features

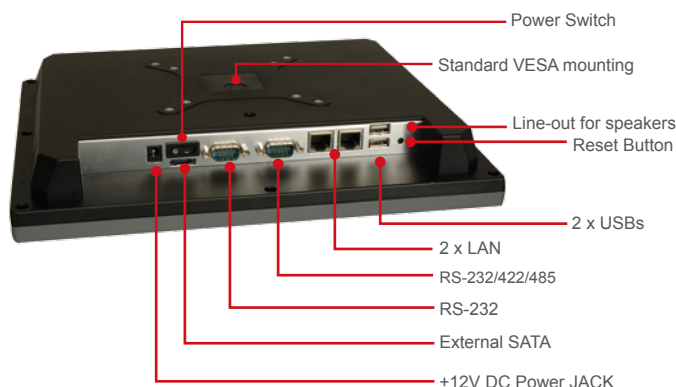
- 8" LED backlight LCD panel with resistive type touch screen
- Built-in 300K pixel camera with low light capability
- Built-in digital microphone
- Selectable AT/ATX power mode via internal switch
- Fanless cooling system
- System memory up to 2 GB SDRAM
- Built-in 802.11b/g/n Wireless LAN
- Built-in Bluetooth module
- Built-in Two 1.5 W speakers
- One CompactFlash® slot
- IP64 compliant front panel
- IEI One Key Recovery solution allows you to create rapid OS backup and recovery (Suggest over 4GB storage capacity)



## Specifications

Model	AFL-08B-N270
LCD Size	8"
Max Resolution	800 x 600
Brightness (cd/m <sup>2</sup> )	250
Contrast Ratio	400 : 1
LCD Color	262K
Pixel Pitch (mm)	0.2025 (H) x 0.2025 (V)
Viewing Angle (H-V)	140° / 130°
Backlight MTBF	30000 hrs (LED backlight)
SBC Model	AFLMB-945GSE-N270-R10
CPU	Intel® Atom™ Processor N270 (512K L2 Cache, 1.60 GHz, 533 MHz FSB)
Chipset	Intel® 945GSE + ICH7M
RAM	Supports one 400MHz or 533MHz DDR2 SO-DIMM (2GB Max.)
I/O Ports	1 x RS-232 COM Port 1 x RS-232/422/485 COM Port 2 x RJ-45 for Giga LAN 2 x USB 2.0 1 x Power Switch 1 x Reset Button 1 x External SATA 1 x Audio Port 1 x Power Jack
SSD	CF Type II
Watchdog Timer	Software programmable supports 1~255 sec. system reset
Audio	AMP 1.5W + 1.5W (internal speakers)
Camera Module	300K pixel camera with Digital Microphone
Wireless Connection	1 x Wireless Lan 802.11 b/g/n Module (internal PCIe mini card interface) 1 x Bluetooth module (internal USB interface, Bluetooth V2.0)
Construction Front Panel	ABS + PC Plastic front frame
LED Function	1 x Power ON/OFF LED on Front Panel
Mounting	Panel, Wall, Rack, Stand and Arm VESA 75mm x 75mm
Front Panel Color	Gray 7539U
Dimensions (WxHxD) (mm)	234 x 177 x 43
Operation Temperature (°C)	-10°C ~50°C
Storage Temperature (°C)	-20°C ~60°C
N/G Weight	0.8 Kg
IP Level	IP64 Front Panel
Safety & EMC	CE / FCC / CB / CCC
Touch Screen	Resistive Type 5-Wire (Touch controller IC is on board)
Power Adapter	P/N: 63000-FSP036RAB608-RS 36W Power Adapter Input: 90VAC~264VAC, 50/60Hz Output: 12VDC
Power Requirement	12VDC
Power Consumption	25W

## Fully Integrated I/O



## LED-backlight PPC Delivers Vivid Images

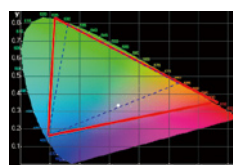
AFL-08B-N270 is the first panel PC of its compact size to incorporate an LED backlight - making it better for viewing and editing photos than previous CCFL illumination models.

### LED backlighting PPC displays clear and vivid pictures!

#### Enhancement of picture image quality on LCD screen

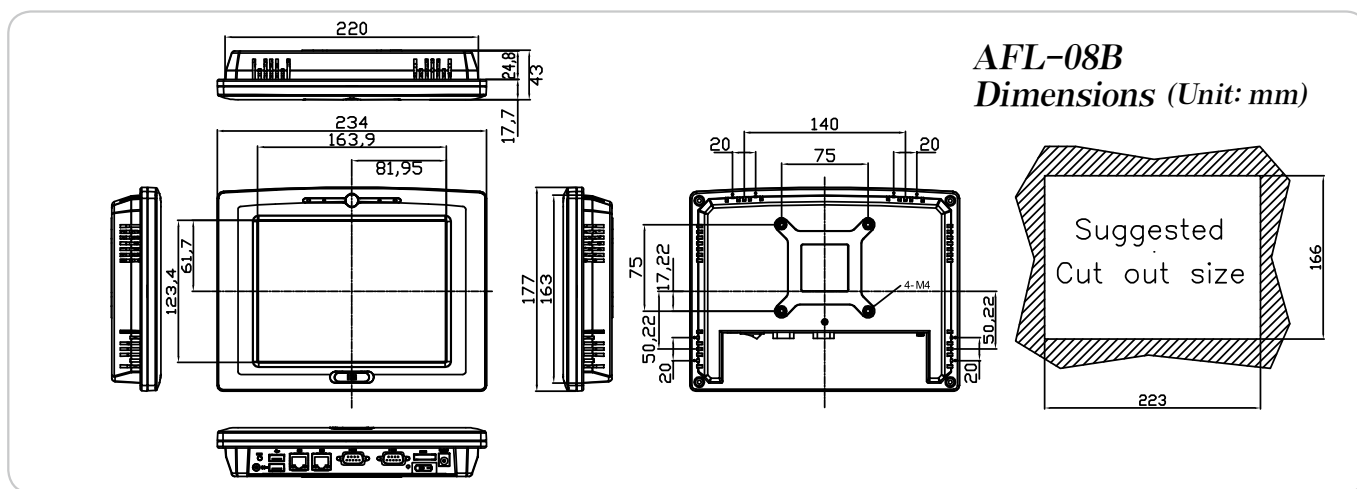
- Wider color gamut
- More even screen illumination
- Longer display life
- Low temperature operation and greater power efficiency

#### Color Gamut Comparison



— LED  
- - - Normal CCFL

Thus LED backlight for LCD enables seeing the color on LCD screen as we see the colors in nature.



**AFL-08B**  
Dimensions (Unit: mm)

## Ordering Information

Part Number	Description
AFL-08B-N270/R/1G-R21	8" 250 cd/m <sup>2</sup> , SVGA fanless panel PC with Intel® Atom™ N270 1.6GHz, 802.11b/g/n wireless module, capitalize Bluetooth module, touch screen, 300K pixel camera with Digital Microphone, 1GB DDR2 533MHz, R21

## Options

Panel Mounting Kit	AFLPK-12
Wall Mounting Kit	AFLWK-12
Rack Mounting Kit	AFLRK-08
ARM	ARM-11-RS / ARM-31-RS
Stand	STAND-A08 / STAND-100-RS
VSTAND	VSTAND-A10
9~30VDC to 12VDC converter module	IDD-930160-KIT
OS: Win CE 6.0 (128 MB CF card)	AFLCF-08-N270-CE060-R21
OS: Win XPE(1 GB CF card)	AFLCF-08-N270-XPE-R21
OS: LINUX(2 GB CF card)	AFLCF-08-N270-LNX-R21
OS: Win 7 Embedded (2GB CF card)	AFLCF-08-N270-WES7E-R21
Hybrid Card Reader	AFLP-08BMSI-U
Magnetic Stripe Reader	AFLP-08BMSR-U
DC 12V Input UPS	AUPS-A10-R10 (7.4V 3800mAH)
DC 9~36V Input UPS	AUPS-A20-R10 (7.4V 3800mAH)

Note: Win CE application without digital microphone function

## ISMM Support Functions

	Voltage	Fan	Smart Fan	Temperature	WDT	Cash Drawer
AFL-08B-N270	V			V	V	

## Packing List

Item	Part Number	Q'ty	Specification
Screws Pack	44013-030041-RS	4	M3;5mm
Power Adpater	63000-FSP036RAB608-RS	1	90~264V AC; 12V DC; 36W
Power Cord	32000-000002-RS	1	1750mm (EU or US, Which type of cord is shipped depends on the shipment country)
Utilities CD	7B000-000087-RS	1	
Touch Pen	43125-0002C0-00-RS	1	