

10.4" SVGA AFOLUX Panel PC

**AFL-10A-LX**

**AFL-10A-N270**

AMD Geode LX-800 500 MHz Processor

Intel® Atom™ Processor N270 1.6GHz Processor



**Features**

- 10.4" TFT LED Backlight LCD with resistive touch screen
- Selectable AT/ATX power mode through the switch on the chassis inside
- Fanless cooling system
- System memory up to 2GB SDRAM
- Built-in HSUPA module for mobile connection (Optional)
- 18V~30V wide range DC power input (Optional for LX Platform)
- One CompactFlash® slot
- IP 64 compliant front panel
- IEI One Key Recovery solution allows you to create rapid OS backup and recovery (Suggest over 4GB storage capacity)

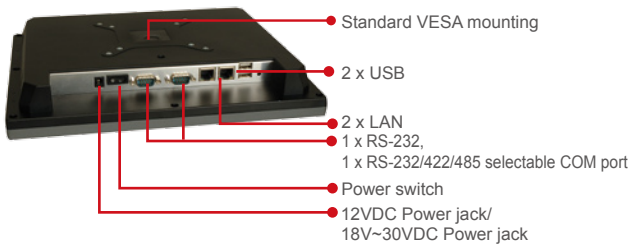


**Specifications**

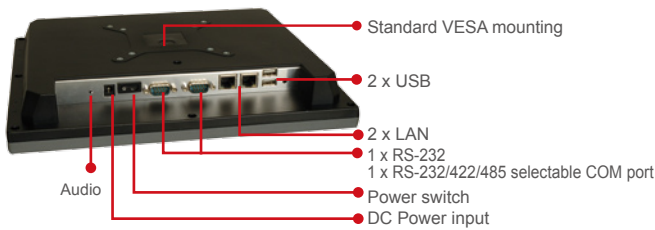
| Model  | AFL-10A-LX / AFL-10A-LX24V  | AFL-10A-N270   |
|--|---|--|
| LCD Size   | 10.4"   |  |
| Max Resolution   | 800 x 600   |  |
| Brightness (cd/m <sup>2</sup> )                                    | 400   |  |
| Contrast Ratio   | 700:1   |  |
| LCD Color  | 262K  |  |
| Pixel Pitch (mm)   | 0.264 (H) x 0.264 (V)   |  |
| Viewing Angle (H-V)  | 160° / 140°   |  |
| Backlight MTBF   | 50000 hrs (LED Backlight)   |  |
| SBC Model  | AFLMB-LX-800  | AFLMB-945GSE-N270-R10  |
| CPU  | AMD LX 800 (500MHz)   | Intel® Atom™ processor N270 1.6GHz CPU   |
| Chipset  | AMD LX 800 + AMD CS5536   | Intel® 945GSE + ICH7M  |
| RAM  | Supports one 333MHz or 400MHz DDRII SO-DIMM (1GB Max.)  | Supports one 400MHz or 533MHz DDRII SO-DIM (2GB Max.)  |
| I/O Ports  | 1 x RS-232 COM Port<br>1 x RS-232/422/485 COM Port<br>2 x RJ-45 for 10/100Mbps LAN<br>2 x USB 2.0<br>1 x Power Switch<br>1 x Reset Button<br>1 x Power Jack<br>1 x Audio Port | 1 x RS-232 COM Port<br>1 x RS-232/422/485 COM Port<br>2 x RJ-45 for Giga LAN<br>2 x USB 2.0<br>1 x Power Switch<br>1 x Reset Button<br>1 x External SATA<br>1 x Audio Port<br>1 x Power Jack |
| SSD  | CF Typell   |  |
| Watchdog Timer   | Software programmable supports 1~255 sec. system reset  |  |
| Audio  | AMP 1.5W + 1.5W (internal speaker)  |  |
| Wireless Connection  | 1 x Wireless Lan 802.11 b/g Module (internal Mini PCI interface)<br>1 x Bluetooth Function (internal USB interface, Bluetooth V2.0)   | 1 x Wireless Lan 802.11 b/g/n Module (internal PCIe mini card interface)<br>1 x Bluetooth Function (internal USB interface, Bluetooth V2.0)  |
| Drive Bay  | -   |  |
| Optional HSUPA Module (support GSM 850, EGSM 900, DCS 1800 & 1900) | 1 x Optional HSUPA Mobile Module (internal USB Interface)   |  |
| Construction Front Panel   | ABS + PC Plastic front frame  |  |
| LED Function   | 1 x Power ON/OFF LED on Front Panel   |  |
| Mounting   | Panel, Wall, Rack, Stand and Arm VESA 75mm x 75mm / 100mm x 100mm   |  |
| Front Panel Color  | Gray 7539U  |  |
| Dimensions (WxHxD) (mm)  | 276 x 222 x 51  |  |
| Operation Temperature (°C)   | 0°C ~ 50°C  | -10°C ~ 50°C   |
| Storage Temperature (°C)   | -20°C ~ 60°C  |  |
| N/G Weight   | 1.4 Kg  |  |
| IP Level   | Front Frame IP64  |  |
| Safety & EMC   | CE / FCC / CB / CCC   |  |
| Touch Screen   | Resistive Type 5-Wire (Touch controller IC is on board)   |  |
| Power Adapter  | P/N: 63000-FSP036RAB608-RS<br>36W Power Adapter<br>Input: 90VAC~264VAC, 50/60Hz<br>Output: 12VDC  | P/N: 63000-FSP036RAB608-RS<br>36W Power Adapter<br>Input: 90VAC~264VAC, 50/60Hz<br>Output: 12VDC   |
| Power Requirement  | 12VDC/18~30VDC  | 12VDC  |
| Power Consumption  | 25W   | 28W  |

## Fully Integrated I/O

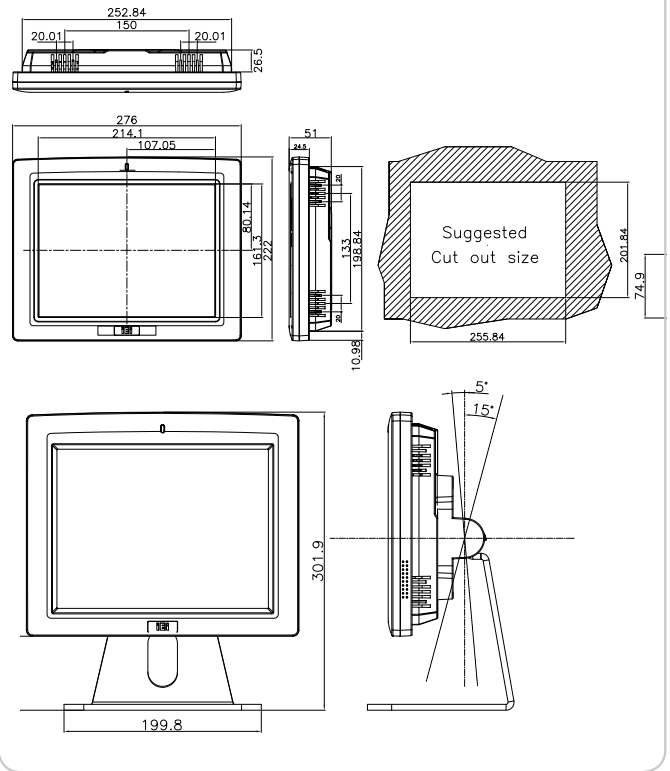
### • AFL-10A-LX



### • AFL-10A-N270



## AFL-10A Dimensions (Unit: mm)



## Ordering Information

| Part Number             | Description  |
|-------------------------|--|
| AFL-10A-LX/R/256-R21    | 10.4" 400 cd/m <sup>2</sup> , SVGA fanless panel PC with AMD LX-800 CPU, AT/ATX mode, 802.11b/g wireless module, Bluetooth module, Touch screen and 256MB DDR RAM, R21                 |
| AFL-10A-LX/R/512-R21    | 10.4" 400 cd/m <sup>2</sup> , SVGA fanless panel PC with AMD LX-800 CPU, AT/ATX mode, 802.11b/g wireless module, Bluetooth module, Touch screen and 512MB DDR RAM, R21                 |
| AFL-10A-LX24V/R/256-R21 | 10.4" 400 cd/m <sup>2</sup> , SVGA fanless panel PC with AMD LX-800 CPU, 18~30VDC input, AT/ATX mode, 802.11b/g wireless module, Bluetooth module, Touch screen and 256MB DDR RAM, R21 |
| AFL-10A-LX24V/R/512-R21 | 10.4" 400 cd/m <sup>2</sup> , SVGA fanless panel PC with AMD LX-800 CPU, 18~30VDC input, AT/ATX mode, 802.11b/g wireless module, Bluetooth module, Touch screen and 512MB DDR RAM, R21 |
| AFL-10A-N270/R/1G-R21   | 10.4" 400cd/m <sup>2</sup> SVGA fanless panel PC with Intel® Atom™ N270 1.6GHz, 802.11b/g/n wireless module, capitalize Bluetooth module, touch screen, 1GB DDR2 533, R21              |

Note: Please order HSUPA02 for HSUPA function  
 Note: AFL-10A-LX24V model is without power adapter

## Options

| Model                             | AFL-10A-LX                  | AFL-10A-N270            |
|-----------------------------------|-----------------------------|-------------------------|
| Panel Mounting Kit                | AFLPK-12                    |                         |
| Wall Mounting Kit                 | AFLWK-12                    |                         |
| Rack Mounting Kit                 | AFLRK-10                    |                         |
| ARM                               | ARM-11-RS / ARM-31-RS       |                         |
| Stand                             | STAND-A12 / STAND-100-RS    |                         |
| VSTAND                            | VSTAND-A10                  |                         |
| 9~30VDC to 12VDC Converter Module | IDD-930160-KIT              |                         |
| OS: Win CE 5.0 (128 MB CF card)   | AFLCF-10-LX-CE-R21          | --                      |
| OS: Win CE 6.0 (128 MB CF card)   | AFLCF-10-LX-CE060-R21       | AFLCF-10-N270-CE060-R21 |
| OS: Win XPE (1 GB CF card)        | AFLCF-10-LX-XPE-R21         | AFLCF-10-N270-XPE-R21   |
| OS: LINUX (2 GB CF card)          | AFLCF-10-LX-LNX-R21         | AFLCF-10-N270-LNX-R21   |
| OS: Win 7 Embedded (2GB CF card)  | --                          | AFLCF-10-N270-WES7E-R21 |
| Hybrid Card Reader                | AFLP-10AMSI-U               |                         |
| Magnetic Stripe Reader            | AFLP-10AMSR-U               |                         |
| DC 12V Input UPS                  | AUPS-A10-R10 (7.4V 3800MAH) |                         |
| DC 9~36V Input UPS                | AUPS-A20-R10 (7.4V 3800MAH) |                         |

## ISMM Support Functions

|              | Voltage | Fan | Smart Fan | Temperature | DIO | WDT | Cash Drawer |
|--------------|---------|-----|-----------|-------------|-----|-----|-------------|
| AFL-10A-LX   | V       |     |           | V           |     | V   |             |
| AFL-10A-N270 | V       |     |           | V           |     | V   |             |

## Packing List

| Item          | Part Number           | Q'ty | Specification             |
|---------------|-----------------------|------|---------------------------|
| Screws Pack   | 44013-030041-RS       | 4    | M3;5mm                    |
| Power Adpater | 63000-FSP036RAB608-RS | 1    | 90~264V AC; 12V DC; 36W   |
| Power Cord    | 32000-000002-RS       | 1    | 1750mm; European Standard |
| Utilities CD  | 7B000-000087-RS       | 1    |                           |
| Touch Pen     | 43125-0002C0-00-RS    | 1    |                           |

Note: AFL-10A-LX24V model is without power adapter