

19" SXGA AFOLUX Panel PC

AFL-19i(E)-HM55

Intel® Core™ i7/i5/i3/Celeron® Processor



New HM55 Platform Features:

- Powered by high performance 2.66 GHz Intel® Core™ i7-620M CPU with Intel® HM55 chipset
- 1066MHz DDR3 system memory up to 4GB
- HDMI port delivers high image quality on the second display
- IEI One Key Recovery solution allows you to create rapid OS backup and recovery (over 4GB storage capacity is suggested)

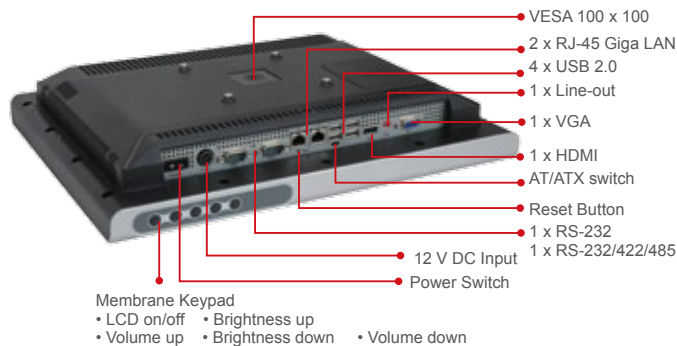


Specifications

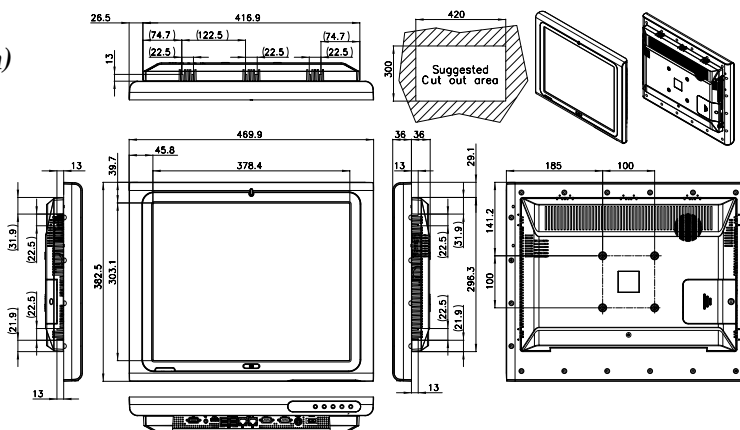
Model	AFL-19i-HM55
LCD Size	19"
Max Resolution	1280 x 1024
Brightness (cd/m ²)	350
Contrast Ratio	1000 : 1
LCD Color	16.7M
Pixel Pitch (mm)	0.294 (H) x 0.294 (V)
Viewing Angle (H-V)	170° / 160°
Backlight MTBF	50000 hrs (LED backlighting)
SBC Model	AFLMB2-HM55-R10
CPU	Intel® Core™ i7/i5/i3/Celeron® Processor
Chipset	Intel® HM55
RAM	Two 204-pin 800/1066MHz DDR3 dual-channel SO-DIMMs supported (Max. 8GB)
I/O Ports	1 x RS-232 COM Port 1 x RS-232/422/485 COM Port 2 x RJ-45 for Giga LAN 4 x USB 2.0 1 x Power Switch 1 x Reset Button 1 x Audio Port (Line-out) 1 x VGA 1 x Power Jack 1 x HDMI Port
Storage	SATA SSD
Watchdog Timer	Software programmable supports 1~255 sec. system reset
Audio	AMP 3W + 3W (internal speakers)
Wireless Connection	1 x Wireless LAN 802.11b/g/n Module (internal PCIe Mini card interface) Telec certified
Drive Bay	1 x 2.5" SATA HDD bay
Construction Front Panel	ABS + PC Plastic front frame
Membrane Keypad	OSD Keypad below the Front Panel (5 keys)
LED Function	1 x Power on/off LED on front panel
Mounting	Panel, Wall, Stand and Arm VESA 100mm x 100mm
Front Panel Color	Sliver (877U) & Gray (ABSA2037)
Dimensions (WxHxD) (mm)	470 x 383 x 72
Operation Temperature (°C)	0°C~50°C
Storage Temperature (°C)	-20°C ~60°C
N/G Weight	6.2Kg
IP Level	Front Frame IP64
Touch Screen	Resistive Type 5-Wire (Touch controller IC is on board)
Power Adapter	P/N: 63040-010096-010-RS 96W Power Adapter (Meet PSE) Input: 90VAC~264VAC, 50 / 60 Hz Output: 12VDC
Power Requirement	12VDC
Power Consumption	88W (Intel® T7500, 2GB memory, 80G HDD)

Fully Integrated I/O

• AFL-19i-HM55



AFL-19i Dimensions (Unit: mm)



Ordering Information

Part Number	Description
AFL-19i-HM55-P45/R/1G-R20	19" 350cd/m ² SXGA LED backlighting panel PC with Intel® Celeron® P4500 1.86G CPU, 1GB DDR3 RAM, 802.11b/g/n wireless module, touch screen, R20
AFL-19i-HM55i3-35/R/2G-R20	19" 350cd/m ² SXGA LED backlighting panel PC with Intel® Core™ i3-350M 2.26G CPU, 2GB DDR3 RAM, 802.11b/g/n wireless module, touch screen, R20
AFL-19i-HM55i5-52/R/2G-R20	19" 350cd/m ² SXGA LED backlighting panel PC with Intel® Core™ i5-520M 2.4G CPU, 2GB DDR3 RAM, 802.11b/g/n wireless module, touch screen, R20
AFL-19i-HM55i7-62/R/2G-R20	19" 350cd/m ² SXGA LED backlighting panel PC with Intel® Core™ i7-620M 2.66G CPU, 2GB DDR3 RAM, 802.11b/g/n wireless module, touch screen, R20

Packing List

Item	Part Number	Q'ty	Specification
Screw Pack	44013-030041-RS	4	M3;5mm
Power Adpater	63040-010096-010-RS	1	90~264V AC; 12V DC; 96W (Meet PSE)
Power Cord	32000-000002-RS	1	1750mm; European Standard
Utility CD	7B000-000087-RS	1	
Touch Pen	43125-0002C0-00-RS	1	
One Key Recovery CD		1	

ISMM Supported Functions

	Voltage	Fan	Smart Fan	Temperature	WDT	Cash Drawer
AFL-19i-HM55	V	V	V	V	V	

Options

Model	AFL-19i-HM55
Panel Mounting Kit	AFLPK-19B
Wall Mounting Kit	AFLWK-19B
Arm	ARM-11-RS / ARM-31-RS
Stand	STAND-A19-RS / STAND-A21-R10 / STAND-210-R11
OS: Win XPE (1 GB CF card)	AFLSD-15-HM55-2G-XPE-R20(2GB SATA SSD)
OS: Win 7 Embedded	AFLSD-15-HM55-4G-WES7E-R20 (4GB SATA SSD)
Magnetic Stripe Reader	AFLP-19MSR-U
DC 12V Input UPS	AUPS-B10-R10 (VESA 100, DC 12V input, 12V output 100W UPS module with 3800mAh)
DC 9~36V Input UPS	AUPS-B20-R10 (VESA 100, DC 9~36V input, 12V output 100W UPS module with 3800mAh)
Bluetooth V2.0+EDR	AFL-BT-KIT01-R10