

AFL2-W10A-N28

Intel® Atom™ N2800 Dual Core Solution

New**AFL2-10A-N28**

Intel® Atom™ N2800 Dual Core Solution

New

AFL2-W10A-N28

Features

- Flat-bezel LCD with LED backlight
- Intel® Atom™ N2800 dual core 1.86 GHz processor
- One 1066 MHz 204-pin DDR3 SO-DIMM slot (system max. 4GB) pre-installed with 2GB
- Projected capacitive touchscreen and 5-wire resistive type touch screen supported
- Wi-Fi 802.11b/g/n 2T2R high speed wireless
- EM or Mifare RFID reader
- Built-in 2M pixels webcam with AF, AE and AWB capabilities
- Built-in two 1.5W speakers and microphone
- IP 64 compliant front panel

**Specifications**

| Model | | AFL2-W10A-N28 | AFL2-10A-N28 |
|--------------------|---|---|--|
| LCD Specifications | Size | Wide 10.2" | 10.4" |
| | Resolution | 1024 (W) x 600 (H) | 800 (W) x 600 (H) |
| | Brightness (cd/m ²) | 400 cd/m ² | 400 cd/m ² |
| | Contrast Ratio | 400:1 | 700:1 |
| | LCD Color | 262K | 262K/16.2M |
| | Pixel Pitch (mm) | 0.2175 (H) x 0.2275 (V) | 0.264 (H) x 0.264 (V) |
| | Viewing Angle (H-V) | 140°(H) / 120°(V) | 160°(H) / 140°(V) |
| | Backlight MTBF | 30000 hrs | 30000 hrs |
| System | CPU | Intel® Atom™ N2800 dual core 1.86 GHz CPU | |
| | Chipset | Intel® NM10 | |
| | RAM | Support One 1066MHz 204-pin DDR3 SO-DIMM slot (max. 4GB) pre-installed with 2GB | |
| | Ethernet | Realtek RTL8111E PCIe GbE controller support ASF2.0 | |
| | HDD | 2.5" SATA 2.0 HDD bay | |
| | Input / Output | 1 x RS-232 COM Port (DB-9) 1 x RS-232 COM Port (RJ-45) 1 x RS-422/485 COM Port (RJ-45) 1 x GbE LAN (RJ-45) 2 x USB 2.0 2 x USB 3.0 1 x Audio jack 1 x Display port | 1 x Mini USB 2.0 port on front panel 1 x Micro SD card slot on front panel Power switch AT/ATX switch Reset button Clear CMOS button DC input jack |
| | Expansion Interface | 1 x PCIe by 1 & USB 2.0 for Wi-Fi | |
| Other Features | Audio | AMP 1.5 W + 1.5 W | |
| | Camera | 2M pixels with low light function, digital microphone | |
| | RFID Reader | EM 125 KHz or Mifare 13.56 MHz card reader (optional) | |
| | MSR Card Reader | MSR card reader (optional) | |
| | OSD Function | LCD on/off, brightness up/down, volume up/down, hotkey | |
| | Touch Screen | 5-wire resistive type or projected capacitive type touch screen | |
| | System Cooling | Fanless | |
| Wireless | 1 x Wireless LAN 802.11 b/g/n 2T2R module (internal PCIe Mini card interface) (Optional, internal USB interface, Bluetooth V2.0+EDR) | | |
| Physical | Construction Front Panel | PC + ABS plastic front frame | |
| | Mounting | Wall, Rack, Stand and Arm VESA 75mm x 75mm | |
| | Color | Black | |
| | Dimensions (mm) | 280 (W) x 198 (H) x 51(D) | 282.5 (W) x 242.7 (H) x 51 (D) |
| | Weight (N/G) | 2.5 kg / 4.02 kg | 2.98 kg / 4.5 kg |
| Environment | Operating Temperature (°C) (Ambient with air flow) | -20°C ~ 45°C | |
| | Storage Temperature (°C) | -20°C ~ 60°C | |
| | Humidity | 10% to 95% (non-condensing) | |
| | IP Level | IP 64 compliant front panel | |
| | Safety&EMC | CE / FCC | |
| Power | Power Supply | 60W power adapter, Input: 90VAC~264VAC, 50/60 Hz, Output: 12VDC | |
| | Power Requirement | 9 ~ 36 VDC | |
| | Power Consumption | 19V@1.5A (Intel® Atom™ N2800 CPU with 2GB DDR3 memory) | 19V@1.6A (Intel® Atom™ N2800 CPU with 2GB DDR3 memory) |

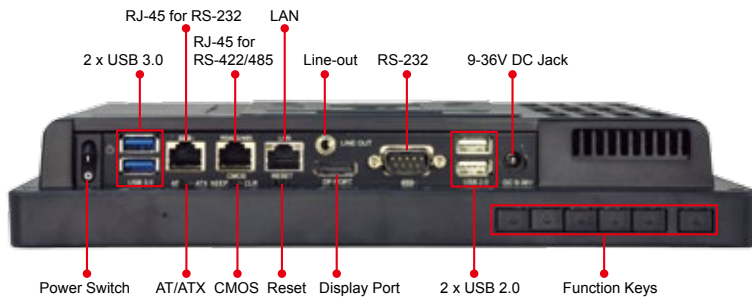
Rich I/O Interface

AFL2-W10A-N28

AFL2-10A-N28



1 x Mini USB port
1 x Micro SD card slot



- Fn
- Backlight On/Off
- Audio -
- Audio +
- Brightness -
- Brightness +
- Fn + Backlight On/Off
- Fn + Audio Mute
- Fn + Camera Enable/Disable
- Fn + Front Side USB Enable/Disable
- Fn + Power On / Off

Options

| Item | AFL2-W10A-N28 | AFL2-10A-N28 |
|------------------------------|---------------|---|
| Panel Mounting Kit | | AFL2PK-10A |
| Wall Mounting Kit | | AFLWK-12 |
| Rack Mounting Kit | AFL2RK-W10A | AFL2RK-10A |
| Stand | | STAND-C12/STAND-B19 |
| V-stand | | VSTAND-A10 |
| Hybrid Card Reader | | AFL2P-12AMSI-U-R10 |
| Magnetic Stripe Reader | | AFL2P-12AMSR-U-R10 |
| Bluetooth Module Kit | | AFL2-BT-KIT01-R11 |
| EM RFID Reader | | AFL2-EM-RFID-KIT01-R10 |
| Mifare RFID Reader | | AFL2-MF-RFID-KIT02-R10 |
| OS: Win CE 6.0 (CD-ROM) | | AFL2-W10A-CV-CE060-R10 |
| OS: Win XPE (CD-ROM) | | AFL2-W10A-CV-XPE-R10 |
| OS: Linux (CD-ROM) | | AFL2-W10A-CV-LNX-R10 |
| OS: Win 7 Embedded (DVD-ROM) | | AFL2-W10A-CV-WES7P-R10 (for Projected Capacitive Touch) AFL2-W10A-CV-WES7E-R10 (for Resistive Touch) |

Packing List

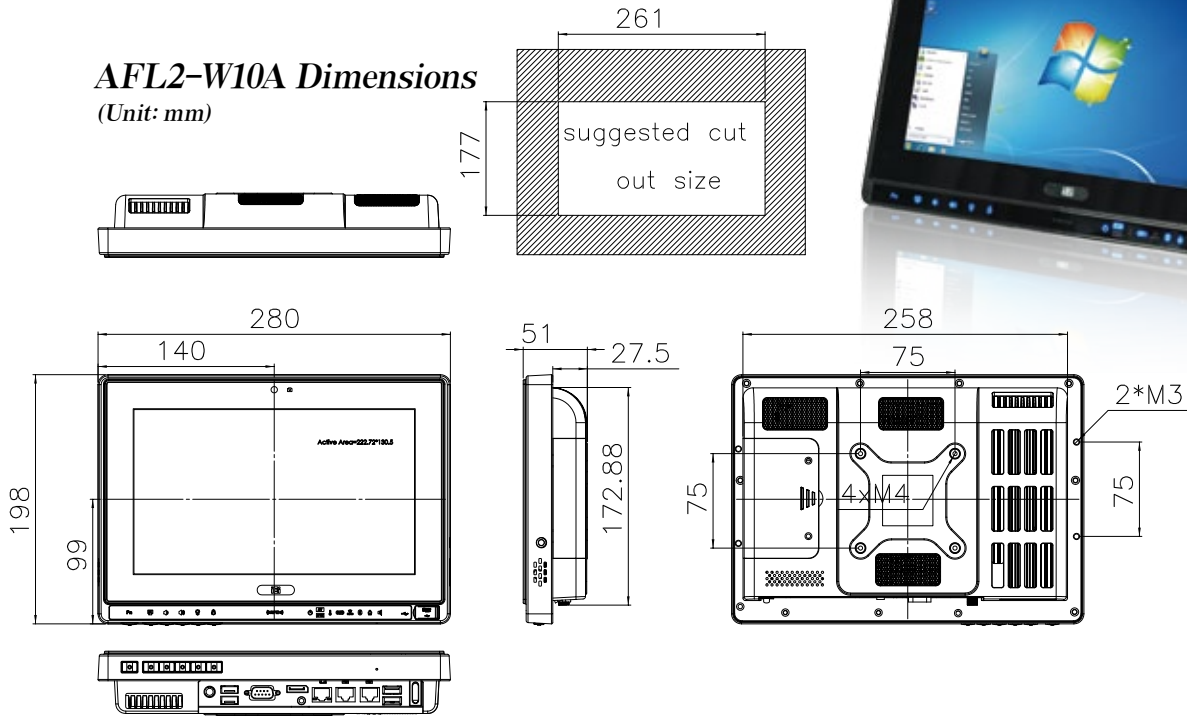
| Item | P/N | Q'ty | Description |
|---------------------|---------------------|------|---------------------------|
| Utility CD | | 1 | drivers and user manual |
| One Key Recovery CD | | 1 | |
| Power adapter | | 1 | |
| Power cord | 32702-000200-100-RS | 1 | European standard, 1830mm |
| Power transfer cord | 32702-000300-100-RS | 1 | |

Ordering Information

| Part Number | Description |
|------------------------|--|
| AFL2-W10A-N28/R/2G-R10 | 10.2" 400cd/m ² WSVGA fanless panel PC with Intel® Atom™ cedarview N2800 dual core 1.86GHz, 802.11b/g/n wireless module, resistive touch screen, 2M camera, microphone, 2GB DDR3 RAM, R10 |
| AFL2-10A-N28/R/2G-R10 | 10.4" 400cd/m ² SVGA fanless panel PC with Intel® Atom™ cedarview N2800 dual core 1.86GHz, 802.11b/g/n wireless module, resistive touch screen, 2M camera, microphone, 2GB DDR3 RAM, R10 |

AFL2-W10A Dimensions

(Unit: mm)



AFL2-10A Dimensions

(Unit: mm)

