

IKARPC-W10A

Vehicle Computer Series

New

Features

- 10.1" TFT LCD with projected capacitive touchscreen
- Intel® Atom™ E3826 1.46 GHz CPU
- Windows® Embedded Standard 7
- Option HSUPA/GPRS/GSM, Wi-Fi and Bluetooth
- Built-in GPS function
- Built-in OBD-II/CAN 2.0



Specifications

Model Name		IKARPC-W10A
Chassis	Color	Blue C + Black C
	Dimensions (WxHxD) (mm)	277 x 186 x 27
	System Fan	Fanless
	Chassis Construction	PC + ABS plastic
Display	Size	10.1
	Resolution	1280 x 800
	Brightness (cd/m ²)	350
	Contrast Ratio	800:1
	Pixel Pitch (mm)	0.0565 (W) × 0.1695 (H)
	Viewing Angle (H/V)	150° (H)/145° (V)
	Touchscreen	Projected capacitive touch with USB interface
	Motherboard	CPU
Chipset		SoC
System Memory		On-board 2 GB DDR3
Storage	SD Card	1 (supports SD 2.0, max. 32 GB)
	Hard Drive	1 x 2.5" SATA 3Gb/s HDD/SSD drive bay
Communication	WLAN	PCIe Mini Wi-Fi 802.11a/b/g/n/ac 1T1R (optional)
	Bluetooth	Bluetooth V2.1 + combined with WWAN module (optional)
	WWAN	PCIe Mini, WCDMA/HSDPA/HSUPA (optional)
	GPS	On board GPS
I/O Interfaces	USB 3.0	1
	USB 2.0	1
	Ethernet	1 x 10/100/1000 Mbps RJ-45 by RTL8111E PCIe GbE controller
	COM Port	2 x DB-9 RS-232
	Digital I/O	8-bit digital I/O (4-bit input, 4-bit output)
	CAN-bus/OBD-II	1 x DB-9 CAN-bus/OBD-II
	Display	1 x HDMI
	Resolution	HDMI: Up to 1920 x 1080 @ 60 Hz
	Audio	1 x Line out, 1 x Mic in
	SIM	2
	Antenna	1 x GPS, 1 x WWAN
Expansions	PCIe Mini	1 x Full-size PCIe Mini (reserved for 3G module), 1 x Full-size PCIe Mini (reserved for Wi-Fi module)
Multimedia	Audio	1 x Speaker (2 W)
	Camera	2-megapixel CMOS
LED Indicator & Button	Indicator	Power/Wi-Fi/HDD/3.5G
Power	Power Input	Cigarette lighter power cable, DC 9 V~30 V
	Consumption	12 V @ 1.73 A
Reliability	Mounting	VESA 100
	Operating Temperature	-20°C ~ 60°C with air flow
	Storage Temperature	-30°C ~ 70°C
	Humidity	5% ~ 95%, non-condensing
	Operating Shock	Half-sine wave shock 5G, 11ms, 3 shocks per axis
	Operating Vibration	MIL-STD-810F 514.5C-2 (with SSD)
	Weight (Net/Gross)	1.3 kg/2.8 kg
	Safety/EMC	CE/FCC/E-Mark
OS	Supported OS	Microsoft® Windows® Embedded 8, Microsoft® Windows® Embedded Standard 7 E

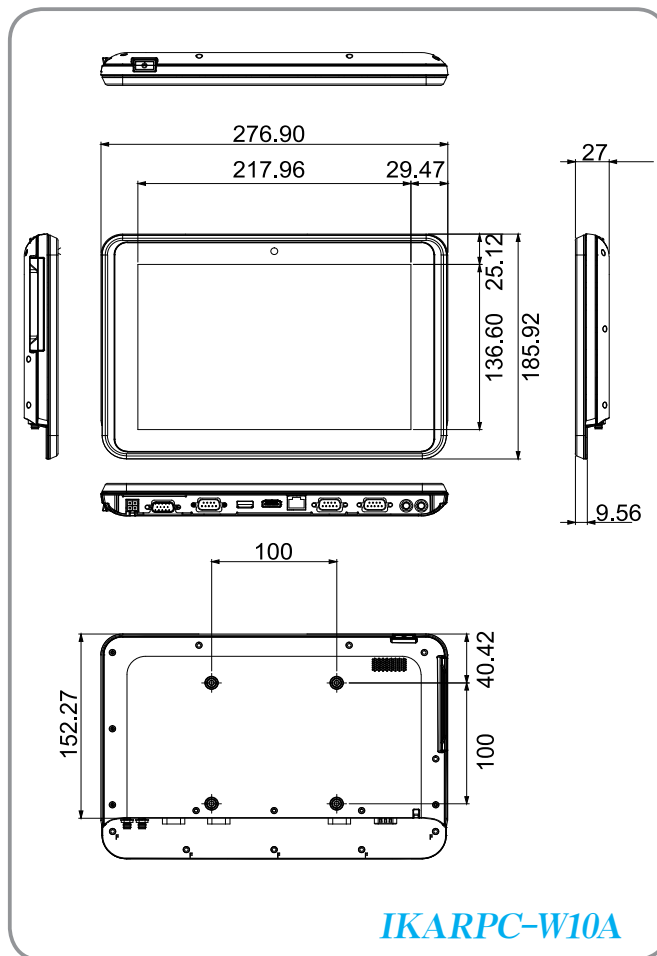
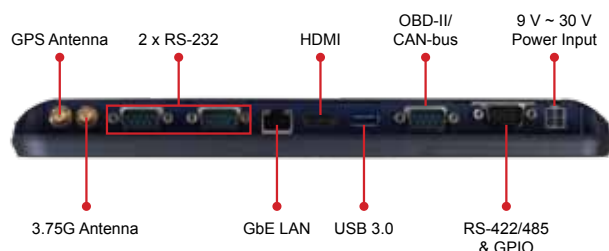
Fully Integrated I/O

Dimensions (Unit: mm)

Rear view



Bottom view



Ordering Information

Part No.	Description
IKARPC-W10A-BT-E3/2G-R10	10.1" 350 cd/m2 1280 x 800, in-vehicle panel PC with Intel® Atom E3826 1.46GHz, 7W TDP, 2GB DDR3L on-board memory, OBD-II, on-board GPS, 2-megapixel camera, RoHS

Options

Item	Part No.	Description
Power adapter	IVIPOWER-4PIN-R10	Power adapter with 4-pin transfer cable, RoHS
Cigarette lighter power cable	32002-004000-100-RS	Round cable, power cable, car cigarette lighter cable, 2000 mm, 18 AWG, (A) cigarette lighter (5 A 250 V)+ ψ3 green LED, (B) MOLEX 5557-0400 P=4.2, RoHS
OBD-II cable	32025-000300-100-RS	Round cable, OBD-II cable, 2000 mm, 24 AWG, (A) OBD-II 16P male, (B) D-sub 9P female, one piece package with label, RoHS
J1939/FMS cable	32025-000400-100-RS	Round cable, J1939 cable, 2000 mm, 22 AWG, (A)J1939 9P male, (B)D-9P female, RoHS
OS: Windows Embedded 7 (DVD-ROM)	IKARPC-W10A-BT-WES7P-R10	OS image with Windows® Embedded Standard 7 E for IKARPC-W10A-BT Series, DVD-ROM, RoHS
OS: Windows Embedded 8 (DVD-ROM)	IKARPC-W10A-WE8S-R10	OS image with Windows® Embedded Standard 8 E for IKARPC-W10A Series, WE8S license label, DVD-ROM, RoHS
Wireless kit	IKARPC-WIFI-KIT02-R10	IEEE 802.11a/b/g/n/ac, Wi-Fi compliant / Bluetooth4.0 + 3.0 HS Standard
WWAN kit	IKARPC-3G-KIT02-R10	F260 3.75G module kit for embedded system, with Bluetooth V2.1, 2 x RF cable, 1 x antenna, RoHS, For IEI ATO only
VESA mount stand	IVI-MK02-R10	286mm 75x75 / 100x100 VESA mount stand

Packing List

Item	P/N	Qty	Description
ACC power cable	32002-001900-100-RS	1	Round cable, power cable, 3000 mm, 16 AWG, (A) MOLEX 5557-04P P=4.2, SHANGHAI YING YU, RoHS
GPS/GSM antenna	32506-000100-100-RS	1	Integration antenna, GPS/GSM, RG 174, 5000 mm/5000 mm, PPF-5423SA5X-999, magnetic mount: φ55 mm x 22mm, 1575.42 MHz/850 MHz/900 MHz/1800 MHz/1900 MHz, 2 x SMA plug, RoHS
Utility CD		1	User manual and driver CD