

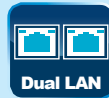
# IRS-100-ULT3

Railway Surveillance System

Preliminary

## Features

- Intel® Skylake ULT processor
- Dual M12 LAN port
- Triple display
- Dual SIM card design
- 24 V DC/110 V DC input
- 2 x 2.5" hot-swappable SATA SSD drive bay
- EN 50155



## Specifications

Model Name	IRS-100-ULT3	
<b>Chassis</b>	Color	Blue C
	Dimensions (WxHxD) (mm)	290 x 69 x 225
	System Fan	Fanless
	Chassis Construction	Extruded aluminum alloy
<b>Motherboard</b>	CPU	Intel® Skylake ULT
	Chipset	SoC
	System Memory	2 x 204-pin DDR4 SO-DIMM slot (system max. 32 GB) Pre-installed one 4 GB DDR4 SO-DIMM
<b>Storage</b>	Hard Drive	2 x 2.5" SATA 6Gb/s SSD drive bay
	CFast/CF Card	1 x CFast (SATA 6Gb/s)
	mSATA	1 x mSATA (SATA 6Gb/s)
<b>I/O Interfaces</b>	USB 3.0	2
	USB 2.0	1 x M12 connector
	Ethernet	2 x M12 connector
	COM Port	2 x DB-9 RS-232/422/485 2.5 kV isolation
	Digital I/O	1 x Terminal block for 8-bit digital I/O (4-bit input/4-bit output, 2.5 kV isolation)
	Display	1 x VGA, 1 x DVI-I
	Resolution	VGA: Up to 2560 x 1600 @ 60 Hz DVI-I: Up to 4096 x 2304 @ 60 Hz
	Audio	1 x Line-out, 1 x Mic-in
	SIM	2 x SIM card slot
	Expansions	PCIe Mini
<b>Power</b>	Power Input	M12 Connector: 24 V/110 V DC
	Consumption	TBD
<b>Reliability</b>	Mounting	Wall mount
	Operating Temperature	-40°C ~ 70°C with air flow (with industrial SSD/CF), compliant with EN 50155
	Storage Temperature	-40°C ~ 85°C
	Humidity	5% ~ 90%
	Operating Shock	Compliant with EN 61373 Category 1 Class B
	Operating Vibration	Compliant with EN 61373 Category 1 Class B
	Weight (Net/Gross)	3.9 kg / 5.1 kg
Safety/EM C	CE/FCC Class A, compliant with EN 50155, EN 50121-3-2	
<b>OS</b>	Supported OS	Microsoft® Windows® Embedded 8, Microsoft® Windows® Embedded Standard 7 E

1

IEIMobile  
Solutions

2

Automation  
Panel  
Solutions

3

Healthcare  
Panel PC  
Solution

4

Industrial  
System

5

ORing  
Network  
Communication

6

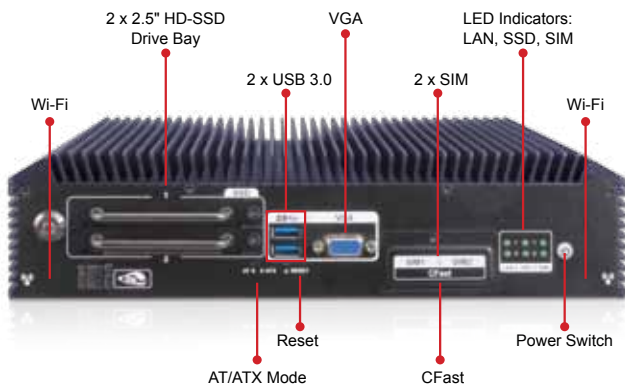
Automation  
Control

7

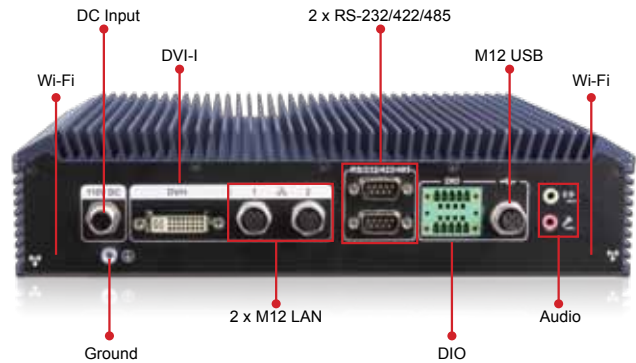
Optional  
Peripherals

## Fully Integrated I/O

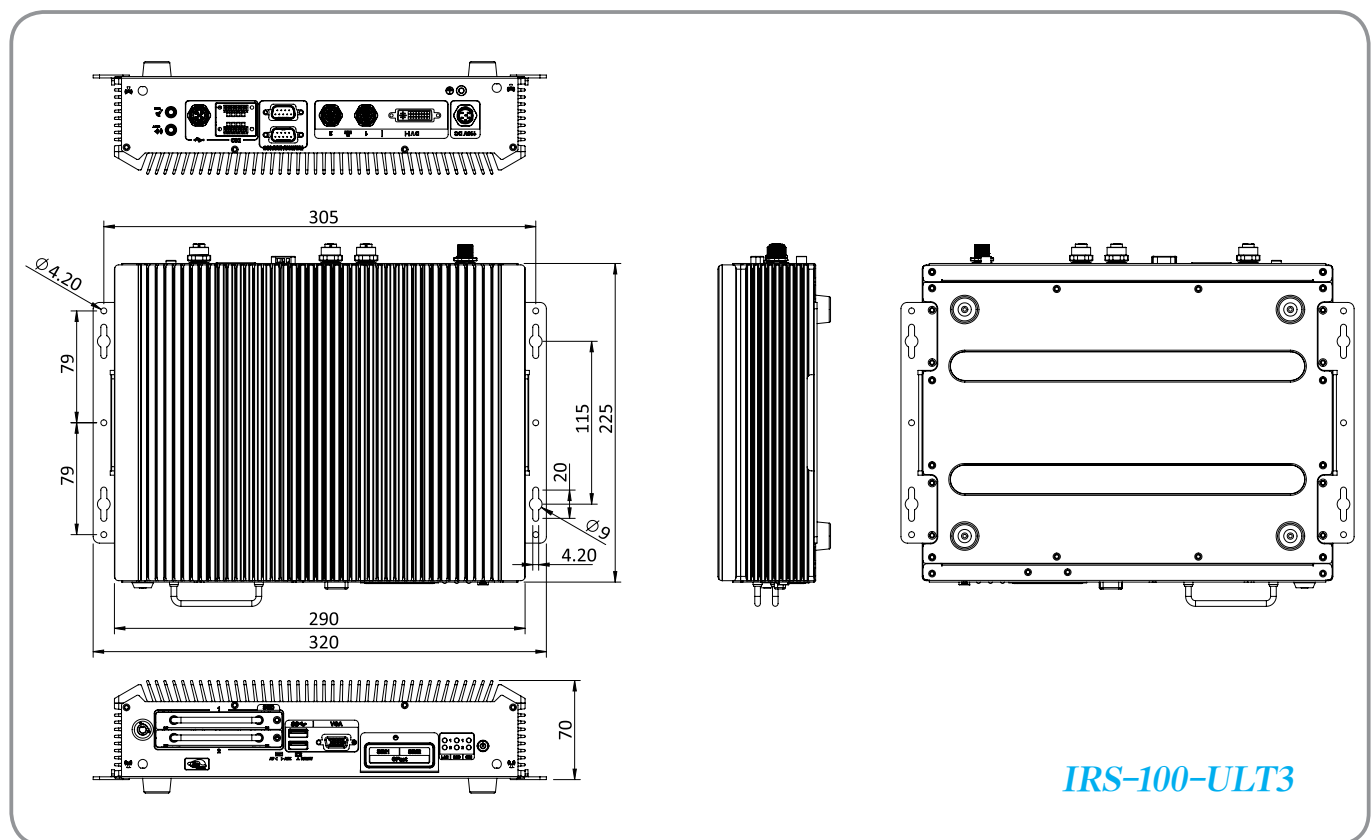
Front view



Rear view



## Dimensions (Unit: mm)



## Ordering Information

Part No.	Description
IRS-100-ULT3-I5E/4G/A-R10	Fanless railway system with Intel® Core™ i5-6300U (15W) processor (ULT), 4 GB DDR3 pre-installed memory, two 2.5" SATA SSD bays, VGA, DVI-I, two M12 GbE LAN, 110 V DC, R10
IRS-100-ULT3-I5E/4G/B-R10	Fanless railway system with Intel® Core™ i5-6300U (15W) processor (ULT), 4 GB DDR3 pre-installed memory, two 2.5" SATA SSD bays, VGA, DVI-I, two M12 GbE LAN, 24 V DC, R10

## Options

Part No.	Description
IRS-100-ULT3-WES7E64-R10	OS Image with Windows® Embedded Standard 7 E 64-bit for IRS-100-ULT3, DVD-ROM, RoHS

## Packing List

Item	Qty	Description
Utility CD	1	User manual and driver CD

- 1 IEIMobile Solutions
- 2 Automation Panel Solutions
- 3 Healthcare Panel PC Solution
- 4 Industrial System
- 5 ORing Network Communication
- 6 Automation Control
- 7 Optional Peripherals