

IVS-300-ULT3

Vehicle Surveillance System

New

Features

- Intel® Skylake ULT /Baytrail processor
- 4 x PoE IEEE802.3af
- 2x Hot-swappable 2.5" drive bay
- Optional 3G/Wi-Fi
- 2 x RS-232, 1 x Isolated RS-422/485
- 4 x DI/DO
- 1 x HDMI (lockable), 1 x VGA

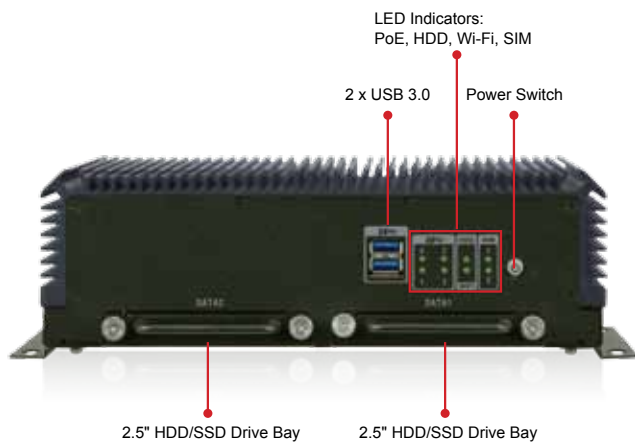


Specifications

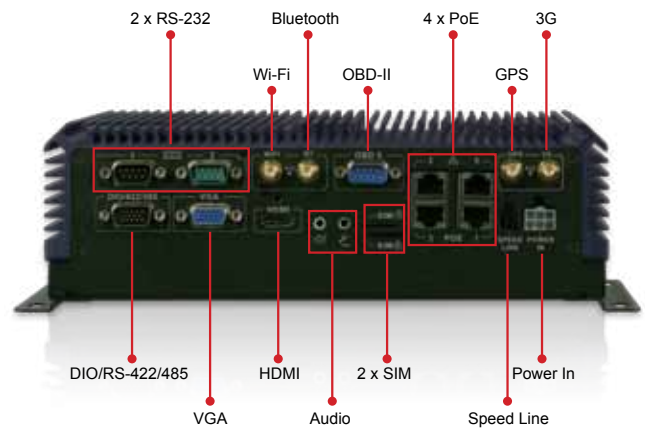
Model Name	IVS-300-ULT3	
Chassis	Color	Blue C
	Dimensions (WxHxD) (mm)	255 x 80 x 185
	System Fan	Fanless
	Chassis Construction	Extruded aluminum alloy
Motherboard	CPU	Intel® Skylake ULT /Baytrail processor
	Chipset	SoC
	System Memory	2 x 204-pin DDR3L SO-DIMM. 1 x 4GB pre-installed
Storage	Hard Drive	2 x 2.5" SATA 6Gb/s SSD removable drive bay
Communication	WLAN	PCIe Mini Wi-Fi 802.11 b/g/n 1T1R optional
	Bluetooth	BT 2.0 (Combo with WWAN)
	WWAN	PCIe Mini WCDMA/HSDPA/HSUPA optional
	GPS	On board GPS
I/O Interfaces	USB 3.0	2
	Ethernet	4 x PoE IEEE802.3af (one port max 15.4W)
	COM port	2 x DB-9 RS-232 1 x DB-15 isolated RS-422/485
	Digital I/O	Isolated 8-bit digital I/O (4-bit input, 4-bit output)
	CAN-Bus/OBD-II	1 x DB9 CAN-Bus/OBD-II
	Display	1 x VGA, 1 x HDMI
	Audio	1 x Mic in, 1 x Line out
	SIM	2
Expansions	Antenna	1 x 3G, 1 x GPS, 1 x BT, 1 x Wi-Fi
	PCIe Mini	1 x Half-size PCIe Mini (only for skylake platform, reserved for Wi-Fi) 1 x Full-size PCIe Mini (reserved for 3G) 1 x Full-size PCIe Mini (reserved for AI/capture card)
Led Indicator & Button	Indicator	8 x LED (4 PoE, 1 HDD, 1 Wi-Fi, 2 SIM)
	Button	1 x Power button
Power	Power Input	DC 9~36V
	Consumption	12 V @ 8 A (Intel® i5-6300U with 4 GB DDR3 memory & 4 PoE)
Reliability	Mounting	Wall mount
	Operating Temperature	-20°C ~ 60°C with air flow
	Storage Temperature	-30°C ~ 70°C
	Humidity	5% ~ 95%, non-condensing
	Operating Shock	Half-sine wave shock 5G, 11ms, 3 shocks per axis
	Operating Vibration	MIL-STD-810F 514.5C-2 (with SSD)
	Weight (Net/Gross)	3kg/4.5kg
OS	Safety/EM C	CE/FCC/E-Mark
	Supported OS	Microsoft® Windows® Embedded 8, Microsoft® Windows® Embedded Standard 7 E

Fully Integrated I/O

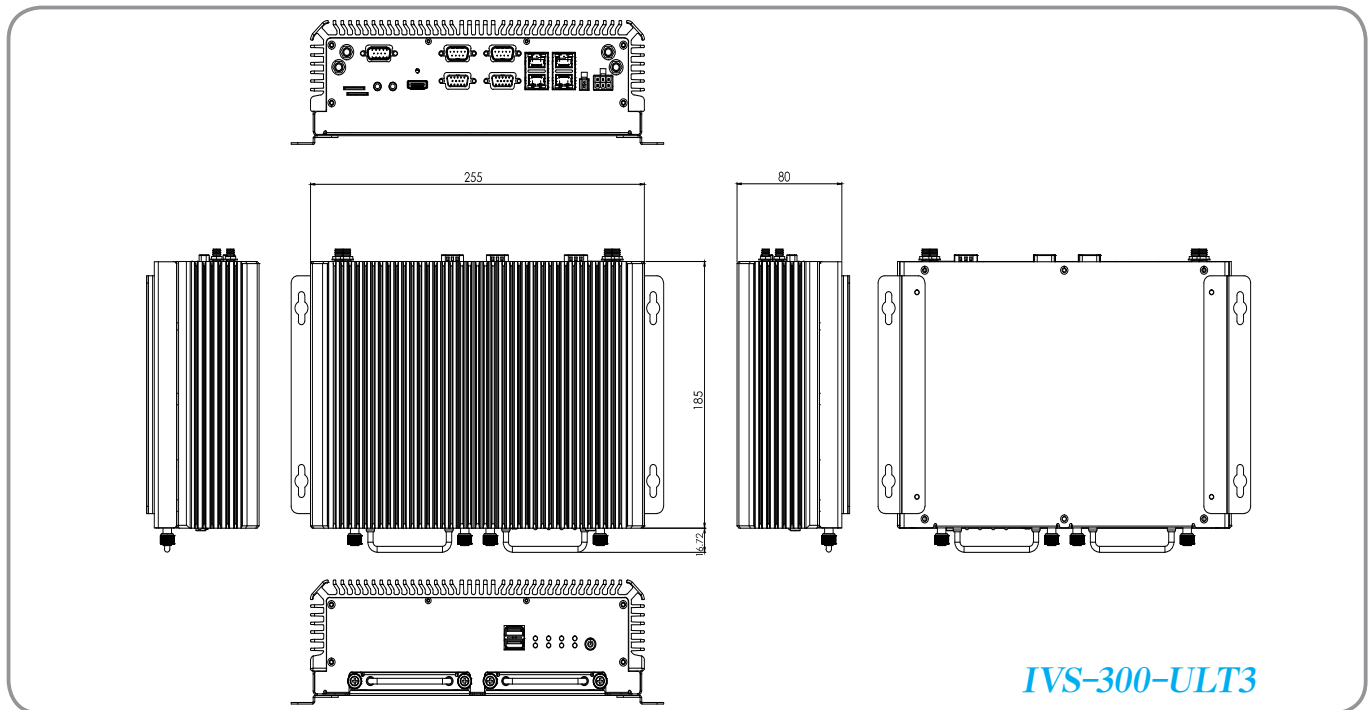
Front view



Rear view



Dimensions (Unit: mm)



Ordering Information

Part No.	Description
IVS-300-ULT3-I5/4G-R10	Fanless embedded system with 6th generation 14nm Intel® Core™ i5-6300U (15W) mobile processor (ULT) with 4GB DDR3L pre-installed memory, PoE, on-board GPS, HDMI, VGA, two 2.5" removable SATA HDD bay, RoHs
IVS-300-ULT3-C/4G-R10	Fanless embedded system with 6th generation 14nm Intel® Celeron® 3955U (15W) mobile processor (ULT) with 4GB DDR3L pre-installed memory, PoE, on-board GPS, HDMI, VGA, two 2.5" removable SATA HDD bay, RoHs
IVS-300-BT-E5/4G-R10	Fanless embedded system with Intel® Atom E3845 (10W) processor with 4GB DDR3L pre-installed memory, PoE, on-board GPS, HDMI, VGA, two 2.5" removable SATA HDD bay, RoHs

Options

Part No.	Description
IVS-300-ULT3-WES7E64-R10	OS Image with Windows® Embedded Standard 7 E 64-bit for IVS-300-ULT3, with DVD-ROM, RoHS
IVS-300-BT-WES7E64-R10	OS Image with Windows® Embedded Standard 7 E 64-bit for IVS-300-BT, with DVD-ROM, RoHS

Packing List

Item	P/N	Qty	Description
ACC power cable	32002-001900-100-RS	1	Round cable, power cable, 3000 mm, 16 AWG, (A) MOLEX 5557-04P P=4.2, RoHS
GPS/GSM antenna	32506-000100-100-RS	1	Integration antenna, GPS/GSM, RG 174, 5000 mm/5000 mm, PPF-5423SA5X-999, magnetic mount: φ55 mm x 22mm, 1575.42 MHz/850 MHz/900 MHz/1800 MHz/1900 MHz, 2 x SMA plug, RoHS
Utility CD		1	User manual and driver CD