

10.4" Industrial Panel PC

PPC-3710A-N26

Intel® Atom™ N2600 Dual-Core Processor **Fanless**

PPC-3710A-N270

Intel® Atom™ N270 Processor **Fanless**



Features

- 10.4" 400 nits high brightness TFT LCD with LED backlight
- Dual Ethernet provides continuous network service and allows sharing among different workgroups in two different subnets
- Robust aluminum front bezel and metal casing compliant front panel
- IEI One Key Recovery solution allows you to create rapid OS backup and recovery (Over 4GB storage capacity)



Specifications

Model		PPC-3710A-N26	PPC-3710A-N270
Display	LCD Size	10.4"	
	Max Resolution	800(W) x 600(H)	
	Brightness (cd/m ²)	400	
	Contrast Ratio	700:1	
	LCD Color	262K	
	Pixel Pitch (mm) (HxV)	0.264(H) x 0.264(V)	
	Viewing Angle (V/H)	140°/160°	
	Backlight MTBF (hrs)	50000 (LED Backlight)	
Touch	Touch Screen	Resistive Type 5-Wire with RS-232 interface	
	Touch Controller	EETI MBMER4050CMBG	
Motherboard	SBC	NANO-CV-N26001	NANO-945GSE-N270
	CPU	Intel® Atom™ N2600 dual-core processor 1.6GHz	Intel® Atom™ N270 1.6GHz CPU
	Chipset	Intel® NM10	Intel® 945GSE + ICH7M
	RAM	One 200-pin SO-DIMM socket, supporting DDR3 800MHz modules for up to 2GB	
	Ethernet	Realtek RTL8111E PCIe GbE controller supporting ASF 2.0	
	Audio Codec	Realtek ALC662 HD audio codec	Realtek ALC655 AC'97 audio codec
I/O Ports and Switches		2 x RS-232 1 x RS-422/485 2 x RJ-45 for LAN Port 2 x USB 3.0 2 x USB 2.0 1 x HDMI 1 x VGA Port 1 x Line-in, Line-out, Mic-in 1 x 12VDC input Power Jack 1 x Power Switch	2 x RS-232 1 x RS-232 (Alternative to RS-422/485) 2 x RJ-45 for LAN Port 2 x USB 2.0 1 x VGA Port 1 x Line-in, 1 x Line-out, 1 x Mic-in 1 x PS/2 mouse and keyboard interface 1 x 12VDC input Power Jack 1 x Power Switch
Drive Bay	HDD Driver Bay	1 x 2.5" SATA HDD Bay	
	SSD	1 x mSATA (SATA2 Signal)	CF Type II
Expansion Slot		1 x PCIe Mini card	1 x PCIe Mini card
Physical	Front Panel Construction	Aluminum Die-casting	
	Chassis Construction	Heavy-duty Steel (SECC)	
	Mounting	Panel, Wall, Rack, Stand and Arm VESA 100mm x 100mm	
	Front Panel Color	Silver (Pantone 8001C)	
	Dimensions (WxHxD) (mm)	311 x 242 x 77.8	311.5 x 242 x 77.8
	Cut Out Dimensions (WxH) (mm)	291 x 221	291 x 221
	Net /Gross Weight	3.4Kg / 5.8Kg	3.4 Kg / 5.8 Kg
System Cooling		Fanless	Fanless
Environment	Operating Temperature	-10°C~50°C	
	Storage Temperature	-20°C~60°C	
	IP Rating	IP66 compliant front panel	
	Vibration	5~17Hz, 0.1 double amplitude displacement 17~640Hz 1.5G acceleration peak to peak	
	Shock	10G acceleration part to part (11ms)	
Power Supply	Power Adapter	P/N: 63040-010060-110-RS 60W Power Adapter (Meet PSE) Input: 90VAC~264VAC, 50/60Hz Output: 12VDC	P/N: 63040-010060-110-RS 60W Power Adapter (Meet PSE) Input: 90VAC~264VAC, 50/60Hz Output: 12VDC

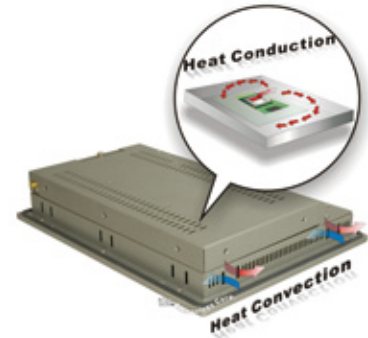
802.11b/g/n Wireless LAN Module

The PPC 37 series is equipped with a high speed wireless module that enables larger data transmission in real time. The Wireless LAN facilitates applications that require data transmission over large distances, such as in a large warehouse.



Fanless System

The PPC-3710A is designed with a low power consumption platform featuring an Intel® Atom™ N270 and N2600 platform. The fanless system generates less heat while maintaining above-average performance. A fanless design eliminates the possibility of fan failure and extends the operation life of the device.



Ordering Information

Part No.	Description
Intel® Atom™ N2600 PPC-3710A-N26/R/2G-R12*	10.4" 400 cd/m ² SVGA Panel PC with Intel® Atom™ N2600 1.6GHz processor, 2GB DDR3 RAM, and touch screen, 9~28VDC input, RoHS
Intel® Atom™ N270 PPC-3710A-N270/R/1G-R23	10.4" 400 cd/m ² SVGA TFT Fanless Panel PC, Intel® Atom™ N270 1.6GHz/ 512KB, 1GB DDR2, Res T/S, Silver Color, R23, RoHS

* PPC supports 9-28V DC input with 4-pin DC jack. Standard product includes 12V DC adapter. For terminal block solution, please contact sales team.

Packing List

Item	Part No.	Description
Screw Kit	19600-000205-RS	
Power Cord	32702-000200-100-RS	EUROPEAN Standard ,1830MM, PLUG(16A 250V), CONNECTOR(10A 250V)
Power Adapter	63040-010060-110-RS	60W, 90VAC~264VAC for PPC-3710A-N270, PPC-3710-N26
PS/2 Cable	32006-000300-100-RS	1 x MINI DIN 6PIN MALE; 2 x MINI DIN 6PIN FEMALE
Panel Mounting Kit	19Z00-000026-RS	19Z00-000026-RS x10
Wall Mounting Kit	41014-057602-00-RS	ULTRA SET PLATE
	41020-016102-00-RS	WALL MOUNT BRACKET
IEI One Key Recovery CD	IEI-7B000-000478-RS	
Touch Screen Driver CD / Touch Pen		
User Manual & Driver CD		

IQ Mounting Options

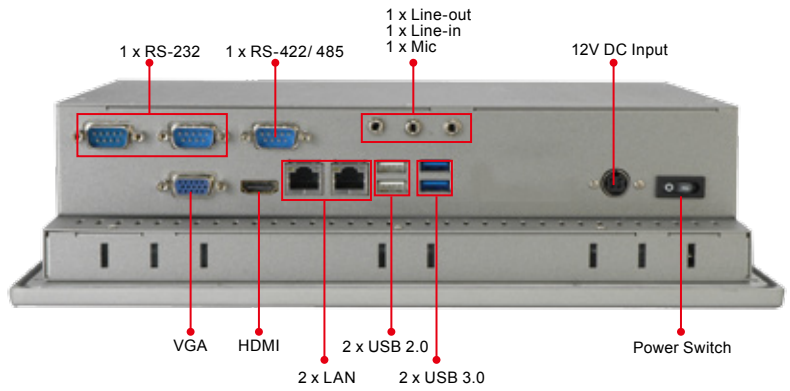
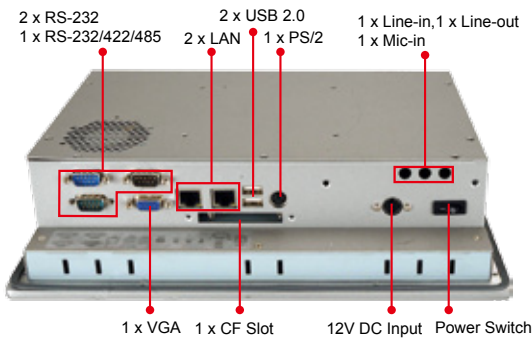
Item	Part No.
Rack Mount Kit	RK-104MS-R10
ARM	ARM-11-RS
STAND	STAND-100-RS

Options

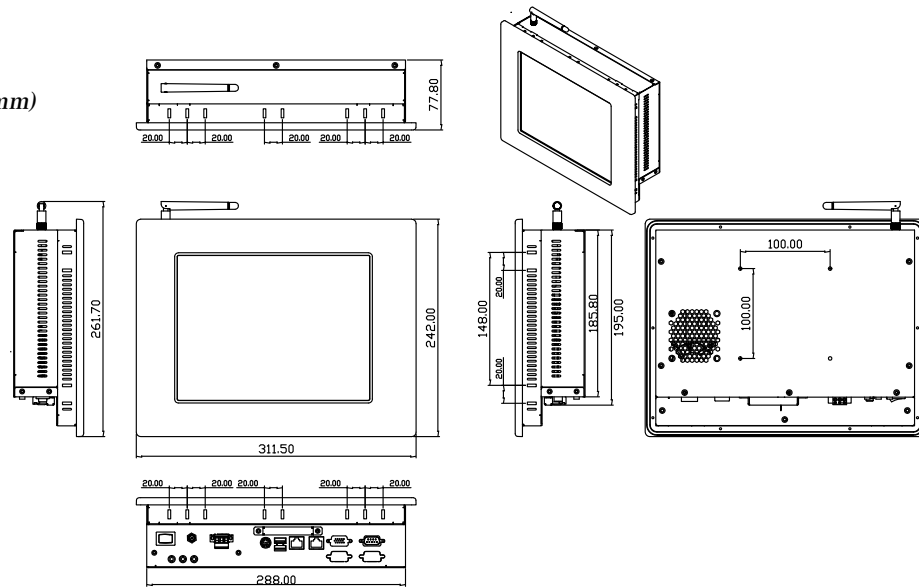
Item	Part No.	Description
RS-422/485 Cable	32200-075202-RS	(A) D-SUB 9PIN MALE (B) DU PONT 2*7P P=2.0 FEMALE
Wi-Fi Module	PPC-WL-KIT02-R10	Wi-Fi module with RF cable and antenna, 2T2R, 802.11 b/g/n for PPC-37xxA-N26 series (Telec certified)

PPC-3710A
Fully Integrated I/O

PPC-3710A-N26
Fully Integrated I/O



PPC-3710A
Dimensions (Unit: mm)



PPC-3710A-N26
Dimensions (Unit: mm)

