

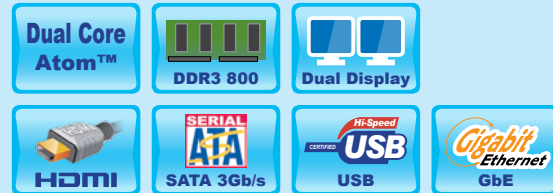
# uIBX-210-CV-N2600

Fanless embedded system with Intel® Atom™ N2600 DC 1.6GHz, Intel® NM10 chipset, 2GB DDR3 memory



## Features

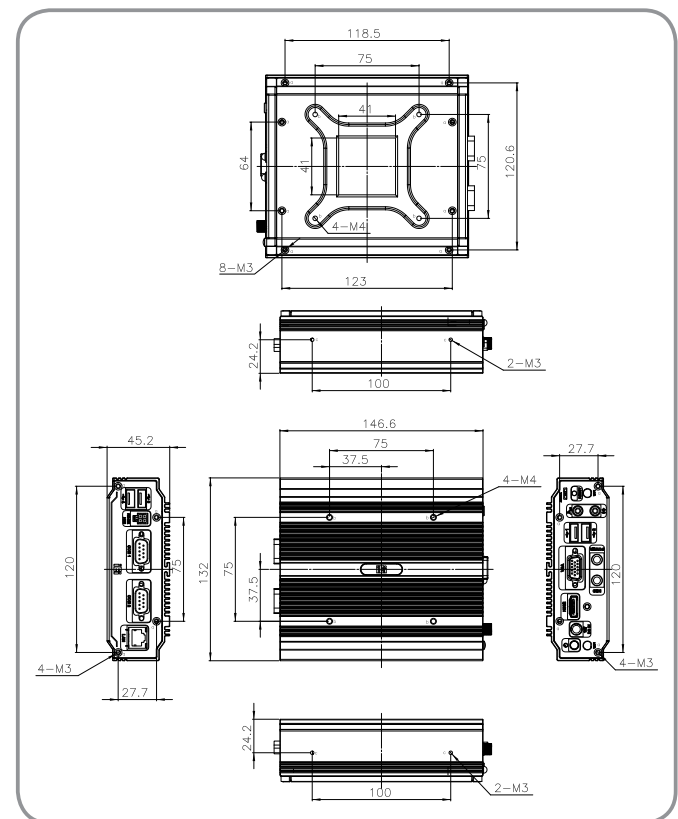
- ◆ Slim and compact embedded system design with Intel® 3rd Gen Atom™ N2600 dual-core processor, supports DDR3 memory (system max. 2GB)
- ◆ 12V only single voltage design, supports AT/ATX power mode selection
- ◆ Flexible VGA and HDMI with dual-display support
- ◆ Support PCIe Mini card slot
- ◆ Fully I/O with four USB, one VGA, one HDMI, three COM and audio



## Specifications

<b>Model Name</b>		<b>uIBX-210-CV-N2600-R10</b>	
<b>Chassis</b>	<b>Form Factor</b>	uIBX	
	<b>Color</b>	Silver	
	<b>Dimensions</b>	142mm x 121mm	
	<b>PCB</b>	8-layer PCB	
<b>Motherboard</b>	<b>CPU</b>	Intel® N2600 1.6GHz dual-core processor, TDP=3.5W	
	<b>System Chipset</b>	Intel® NM10, TDP=2W	
	<b>BIOS</b>	UEFI BIOS	
	<b>Memory</b>	2GB DDR3 800MHz (N2600 supports up to 2GB)	
	<b>Chipset Graphics Engine</b>	Intel® GMA 3600, 400 MHz core speed for N2600	
	<b>Expansion</b>	1 x PCIe Mini card slot	
	<b>Audio</b>	Realtek ALC662 HD Audio codec Line-out and mic-in audio jack	
<b>Storage</b>	<b>HDD</b>	2.5"	
<b>System Function</b>	<b>Display Output</b>	Support HDMI, VGA for dual independent display Display 1: Analog CRT up to 1920x1200 for Cedarview-M, support CRT hot plug Display 2: HDMI up to 1920 x 1080	
	<b>Ethernet</b>	1 x RJ-45 LAN by Realtek RTL8111E GbE	
	<b>Super I/O</b>	Fintek F81866	
	<b>COM Port</b>	1 x RS-232 (COM 1) 1 x RS-232 (COM 2) 1 x RS-422/485 (COM 3)	
	<b>Indicators</b>	HDD LED / Power LED indicator	
	<b>Front I/Os</b>	1 x HDMI 1 x VGA 2 x USB port 1 x Audio & Speaker Jack	
	<b>Rear I/Os</b>	2 x USB port COM 3 (RS-422/485) COM 1 (RS-232) COM 2 (RS-232) 1 x LAN	
	<b>Power</b>	<b>Power Supply</b>	AT/ATX support Power input: +12V only Locking type DC-in jack on board (rear side)
	<b>Reliability</b>	<b>Watchdog Timer</b>	Software programmable 1~255 sec. system reset
		<b>Hardware Monitor</b>	Fintek 81866
<b>Operating Temperature</b>		0°C ~ 50°C with air flow	
<b>Power Consumption</b>		+12V @ 1.57A (Intel® Atom™ N2600 dual Core 1.6GHz, DDR3 800 2GB memory)	
<b>Chassis Construction</b>		Aluminum Alloy, ABS	
<b>Dimensions</b>		146.6mm x 132mm x 45.2mm (DxWxH)	
<b>Mounting</b>		VESA 75	
<b>OS</b>	<b>EMC/Safety</b>	CE, FCC class A	
	<b>Supported OS</b>	Microsoft® WES7E Microsoft® Windows® XP Embedded Microsoft® CE 6.0	

## Dimensions (Unit: mm)



## Packing List

1 x uIBX-210-CV-N2600-R10	1 x One Key Recovery CD
1 x Adaptor 12V/5A	1 x Utility CD
1 x Screw set	1 x QIG (Quick Installation Guide)

## Ordering Information

Part No.	Description
<b>uIBX-210-CV-N2600/2GB-R10</b>	Fanless embedded system with Intel® Atom™ N2600 DC 1.6GHz, Intel® NM10 chipset, 2GB DDR3 memory, 12VDC-In, with 60W power adaptor PSE adaptor, black, RoHS
<b>uIBX-210W-CV-N2600/2GB-R10</b>	Fanless embedded system with Intel® Atom™ N2600 DC 1.6GHz, Intel® NM10 chipset, 2GB DDR3 memory, built-in 2T2R 802.11b/g/n wireless, 12VDC-In, with 60W power adaptor PSE adaptor, black, RoHS
UIBXVK-210B	VESA 75 mount kit for uIBX-210, black
VK-75100B	VESA mount 75 to 100 adapter, black