

E3940 Cubic Box PC

Features

- Fanless and rugged solution
- Wide temperature: -40~70°C
- Intel® Atom E3940 Processor
- 2 x RS232 , 4 x USB, 2 x GLAN , 1 x DP, 1 x HDMI
- 2 x Mini PCI-E slot
- Wall mount / DIN Rail installation
- IoT gateway



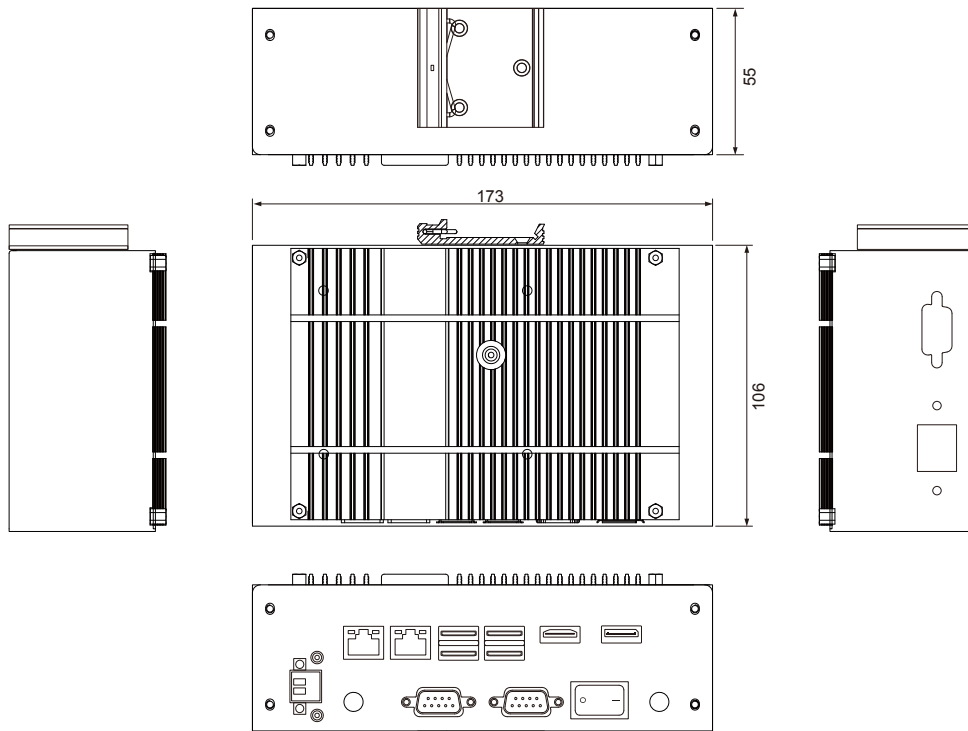
Specifications

Model No.	CB081WD	CB081WW
SYSTEM		
CPU	Intel® Apollo Lake Atom E3940 1.6Ghz, up to 1.8Ghz Processor	
Memory	1 x 204-pin DDR3L SODIMM up to 8 GB	
H/W MONITOR		
H/W Monitor	Watch Dog Timer 256 Level	
I/O PORTS		
USB	4	
RS232	2	
GLAN	2	
HDMI	1	
DP	1	
STORAGE		
Storage	1 x SATA 3.0 2.5" HDD/SSD	
EXPANSION		
Mini PCI-E	1 x Full size with SIM socket .1 x Full size with mSATA	
POWER REQUIREMENT		
Power Requirement	2 Pin power terminal block for DC in 12 ~ 24V	
OS SUPPORT		
OS support	Win Pro 10 / Embedded Win 10 / Win 10 IoT / Linux Fedora 25, Ubuntu 16.04	
MECHANICAL & ENVIRONMENTAL		
Operation Temp.	-40~70°C	
Storage Humidity	10 ~ 90%, non-condensing	
Mounting	DIN Rail	Wall mount
Construction	Aluminum + Steel	
Dimension (WxHxD)	167 x 112 x 50 mm	
Weight	0.85 kg	
OPTIONAL		
P/N: 3080212003	1 x RS232/422/485	
P/N: 3080212003	2 x RS232	
P/N: 2390000003	external antenna (WIFI)	
P/N: 308020000C	USB cable	
P/N: 3121700001	4GB LTE module	

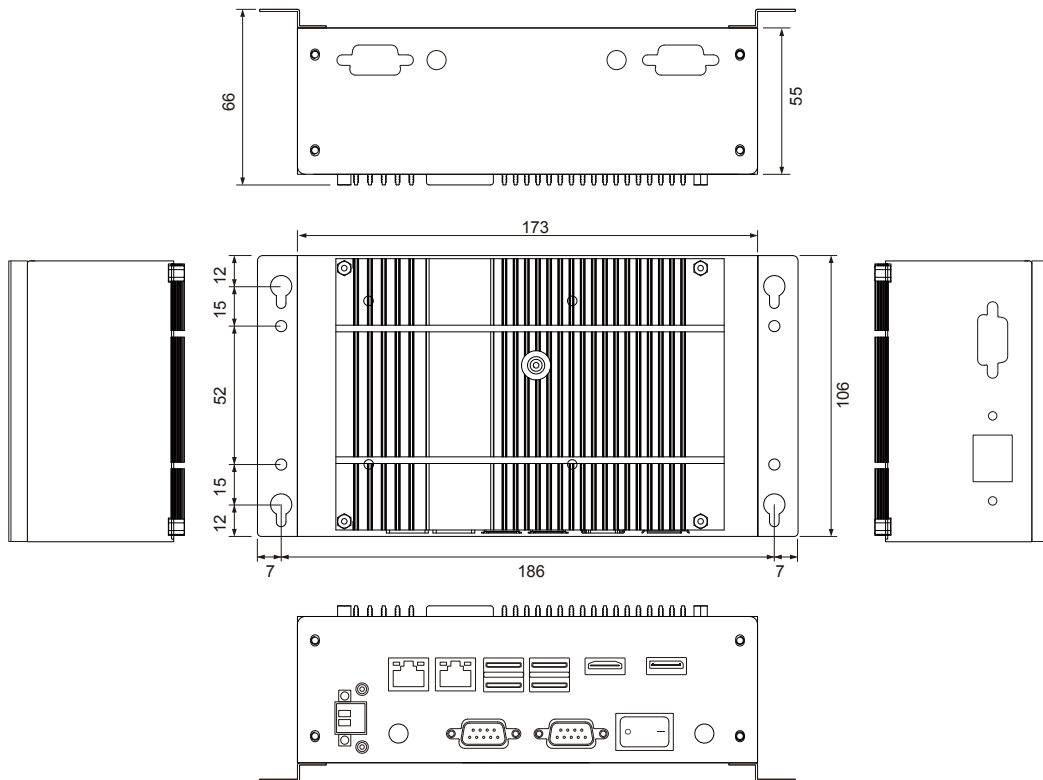
ORDERING INFORMATION

Standard		
DIN Rail installation	CB081WD04064	Fanless wide temperature DIN Rail Box PC Intel E3940, 4GB DDR III L So-DIMM, 64GB SSD, 1 x DC in external power adapter
Wall Mount installation	CB081WW04064	Fanless wide temperature wall mount Box PC Intel E3940, 4GB DDR III L So-DIMM, 64GB SSD, 1 x DC in external power adapter
IoT gateway		
DIN Rail installation	CB081WD14064	Fanless wide temperature DIN Rail Box PC Intel E3940, 4GB DDR III L So-DIMM, mSATA 64GB , 2 x WIFI external antenna, 1 x DC in external power adapter
	CB081WD24064	Fanless wide temperature DIN Rail Box PC Intel E3940, 4GB DDR III L So-DIMM, 64GB SSD , 2 x WIFI external antenna, 2 x 4G external antenna, 1 x DC in external power adapter
Wall Mount installation	CB081WW14064	Fanless wide temperature wall mount Box PC Intel E3940, 4GB DDR III L So-DIMM, mSATA 64GB, 2 x WIFI external antenna, 1 x DC in external power adapter
	CB081WW24064	Fanless wide temperature wall mount Box PC Intel E3940, 4GB DDR III L So-DIMM, 64GB SSD, 2 x WIFI external antenna, 2 x 4G external antenna, 1 x DC in external power adapter

CB081WD



CB081WW



*Specifications are subject to change without notice.