



## DLD1015-A V1 10.1" TFT LCD, LED Backlight 1000nits, 1280x800

The DLD1015-A is a 10.1 inch industrial grade sunlight readable LCD, with high brightness 1000 nits and high color saturation, it produce sharp images, crisp text and lifelike colors. The Durapi xel LED backlight technology ensures high reliability and low power consumption, suitable for outdoor application, kiosk, factory automation, military, transportation and gaming application.

### Key Features

- High Brightness 1000 nits
- Sunlight Readable
- LED Backlight
- Low Power Consumption
- Wide Operation Temperature
- BL MTBF: 100,000 hours



### Specifications

Model Name	DLD1015-A V1
Description	10.1" TFT LCD, LED Backlight 1000 nits, 1280x800
Screen Size	10.1"
Display Area (mm)	216.96(H) x 135.6(V)
Brightness	1000 cd/m <sup>2</sup>
Resolution	1280x800
Aspect Ratio	16 : 10
Contrast Ratio	1400 : 1
Pixel Pitch (mm)	0.1695(H) x 0.1695(V)
Pixel Pre Inch (PPI)	149
Viewing Angle	170°(H),170°(V)
Color Saturation (NTSC)	52%
Display Colors	16.2M
Response Time (Typical)	25ms
Panel Interface	LVDS
AD Board Input Interface	DVI-I, HDMI, DP
AD Board Input Power	DC12V
Power Consumption	9W
OSD Key	4 Keys (Power Switch, Menu, +, -)
OSD Control	Brightness, Color, Contrast, Auto Turing, H/V Position...etc
Dimensions (mm)	237.26(H) x 158.5(V)x43.43 (T)
Bezel Size(U/B/L/R)	10.95/10.95/9.65/9.65 mm
Weight (Net)	1.2kg
Mounting	75x75 mm
Operating Temperature	-20 °C ~ 70 °C
Storage Temperature	-30 °C ~ 80 °C

**DLD**= Panel+ LED Driving Board + AD Control Board + Housing

*Specifications are subject to change without notice.*

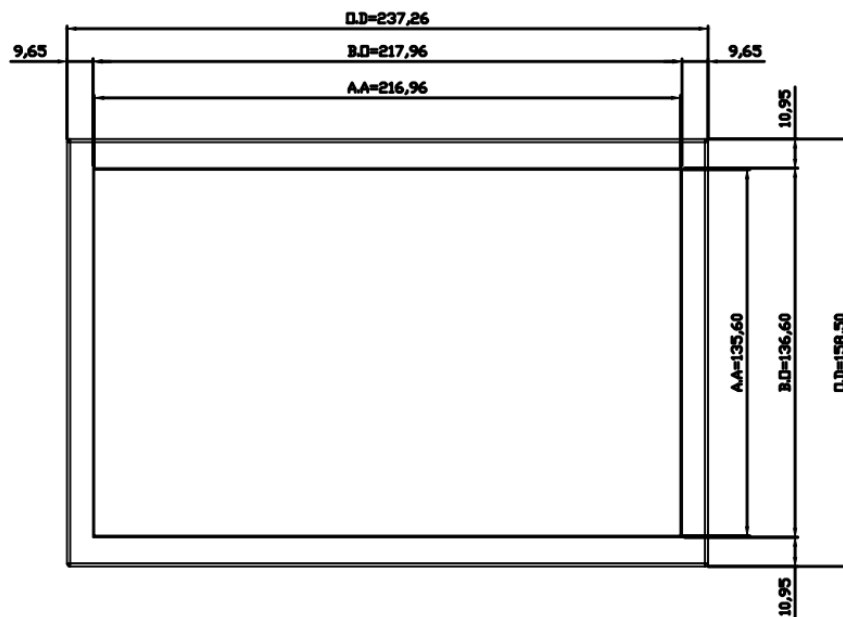
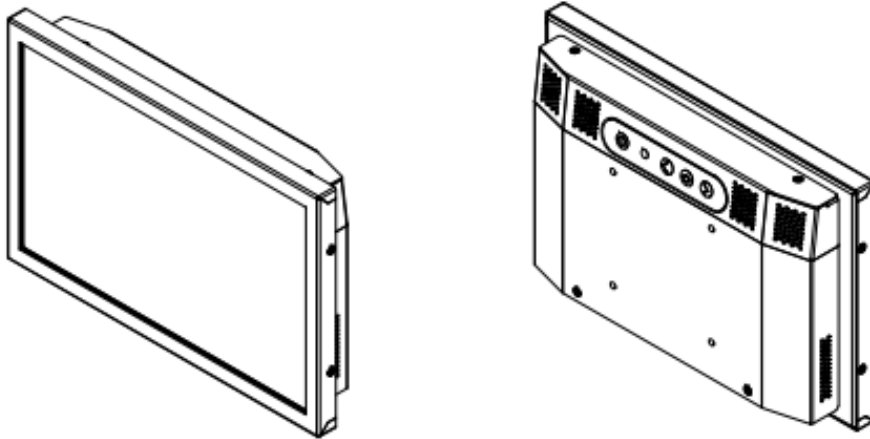
*All brands or product names are trademarks or registered trademarks of their respective companies.*

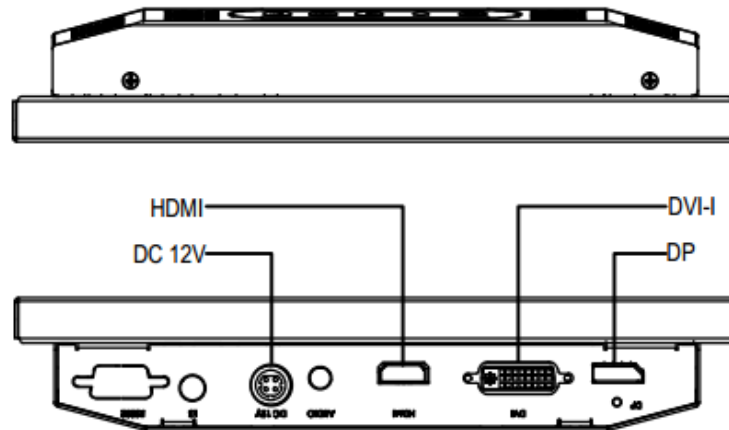
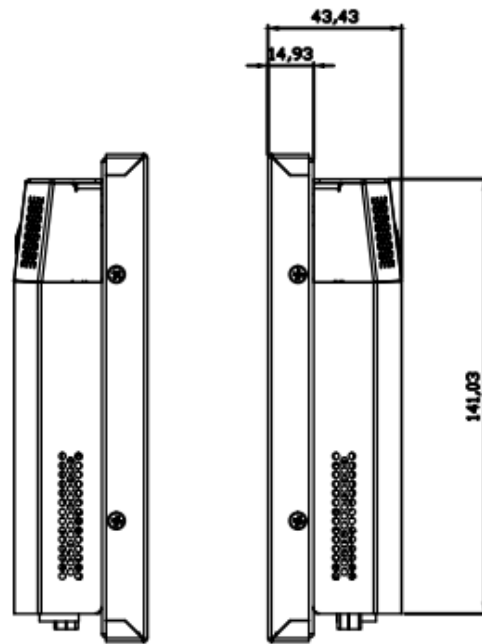


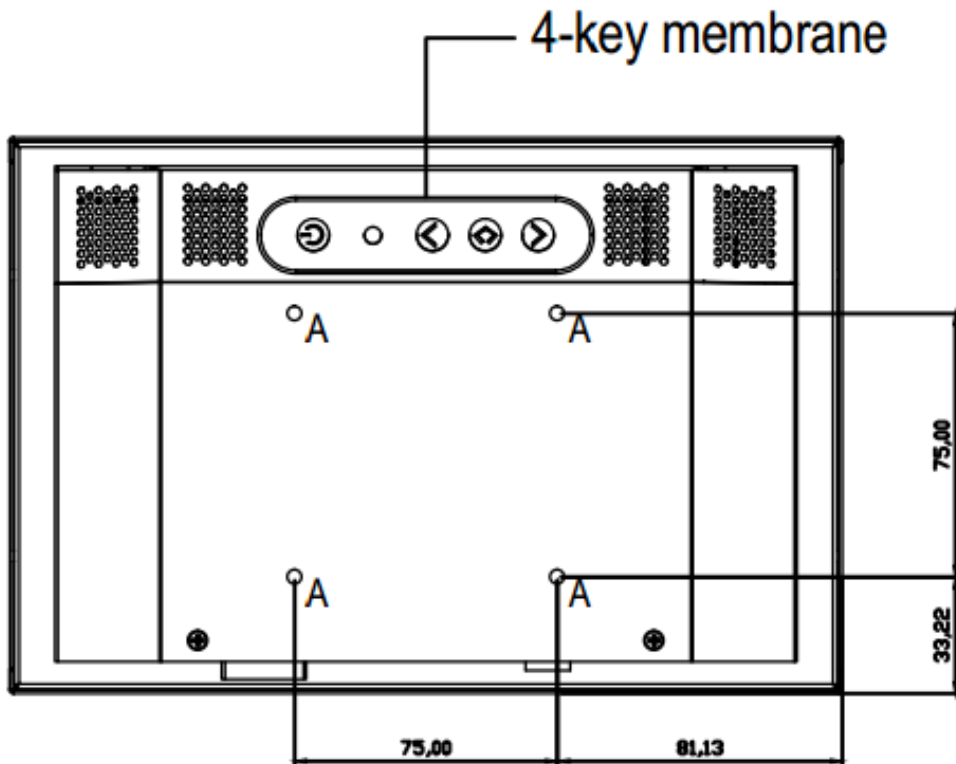
## Mechanical Drawing

### Outline Dimensions

Unit:mm







O.D. : OUTLINE DIMENSION  
 B.O. : BEZEL OPENING  
 A.A. : LCD ACTIVE AREA  
 A : 4-M4\_USER HOLE\_MAX Depth=5mm

**Ordering Information**

Part Number	Description
DLD1015-ANB-Q01	10.1",1000nits,1280x800,LID10C,AD8891DHP,O/B,DC12V,5in1,V1

**Optional Accessories**

Part Number	Description
840612051212	ADAPTER,AC/DC,12V/5 A,60W.Power-Din-4P,CWT.G99-ABF060F-N022.Efficiency-level-6,R
810618301010	CABLE,POWER,AC,1830mm USA type
810618301090	CABLE,POWER,AC,1830mm Europe type
810618301050	CABLE,POWER,AC,1830mm UK type
810618301170	CABLE,POWER,AC,1830mm Australia type
810618301031	CABLE,POWER,AC,1830mm Japan type

**Customer request**

Touch	SCT (Single-Touch), PCT (Multi-Touch)
Glass	Tempered glass, AR coating.....

