



**DLD1567-A V2**  
**15.6" TFT LCD, LED Backlight 1400nits, FHD(1920x1080)**

The DLD1567-A is a 15.6 inch industrial grade sunlight readable LCD, with high brightness 1400 nits and high color saturation, it produce sharp images, crisp text and lifelike colors. The Durapixel LED backlight technology ensures high reliability and low power consumption, suitable for outdoor application, kiosk, factory automation, military, transportation and gaming application.

**Key Features**

- High Brightness 1400 nits
- Sunlight Readable
- LED Backlight
- Low Power Consumption
- Wide range temperature
- BL MTBF: 100,000 hours



**Specifications**

<b>Model Name</b>	<b>DLD1567-A V2</b>
<b>Description</b>	15.6" TFT LCD, LED Backlight 1400 nits, FHD (1920x1080)
<b>Screen Size</b>	15.6"
<b>Display Area (mm)</b>	344.16(H) x 193.59(V)
<b>Brightness</b>	1400 cd/m <sup>2</sup>
<b>Resolution</b>	1920x1080
<b>Aspect Ratio</b>	16 : 9
<b>Contrast Ratio</b>	1000 : 1
<b>Pixel Pitch (mm)</b>	0.17925(H) x 0.17925(V)
<b>Pixel Pre Inch (PPI)</b>	141
<b>Viewing Angle</b>	178°(H),178°(V)
<b>Color Saturation (NTSC)</b>	84%
<b>Display Colors</b>	16.2M
<b>Response Time (Typical)</b>	25ms
<b>Panel Interface</b>	eDP
<b>AD Board Input Interface</b>	VGA,DVI, DP
<b>Input Power</b>	DC12V
<b>Power Consumption</b>	23.64W
<b>OSD Key</b>	4 Keys (Power Switch, Menu, +, -)
<b>OSD Control</b>	Brightness, Color, Contrast, Auto Turing, H/V Position...etc
<b>Dimensions (mm)</b>	369 x 221.1 x 38.8
<b>Bezel Size(U/B/L/R)</b>	13/13/11.7/11.7 mm
<b>Weight (Net)</b>	2.8kg
<b>Mounting</b>	75x75
<b>Operating Temperature</b>	-20 °C ~ 60 °C
<b>Storage Temperature</b>	-20 °C ~ 60 °C

**DLD= Panel + LED Driving Board + AD Control Board + eDP/LVDS Converter Board + Chassis**

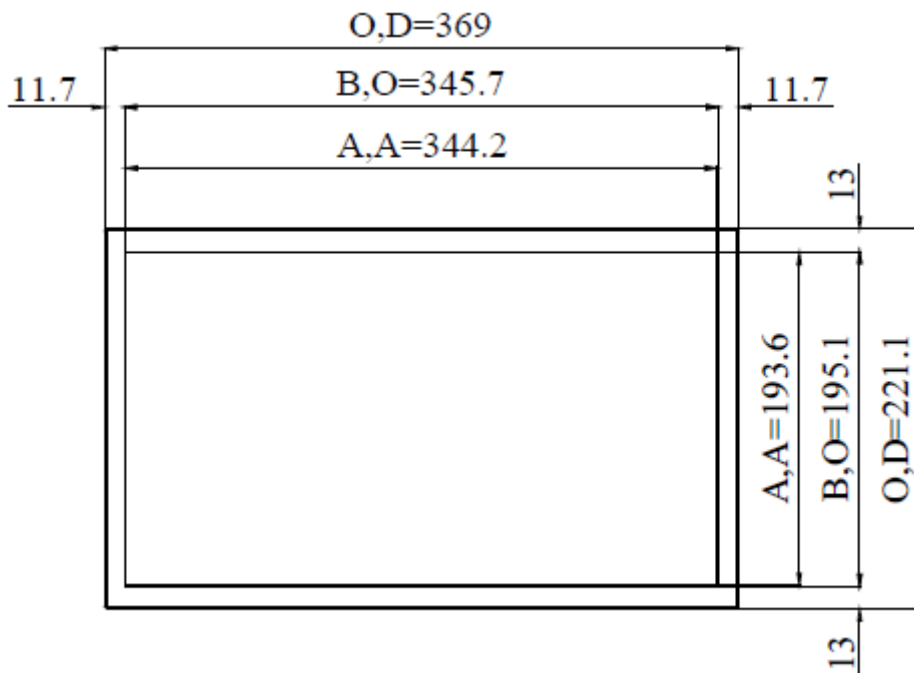
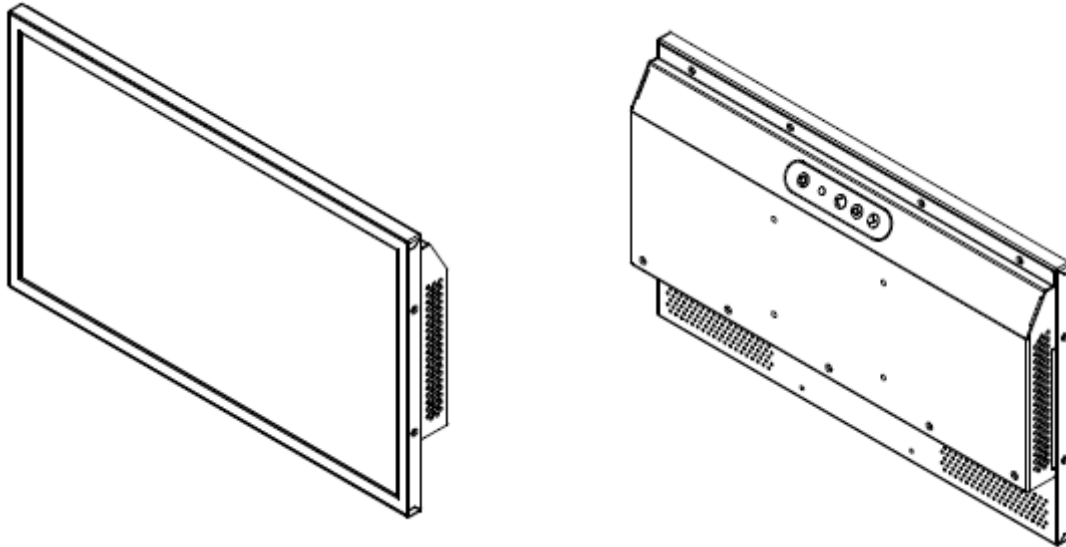
*Specifications are subject to change without notice.  
 All brands or product names are trademarks or registered trademarks of their respective companies.*

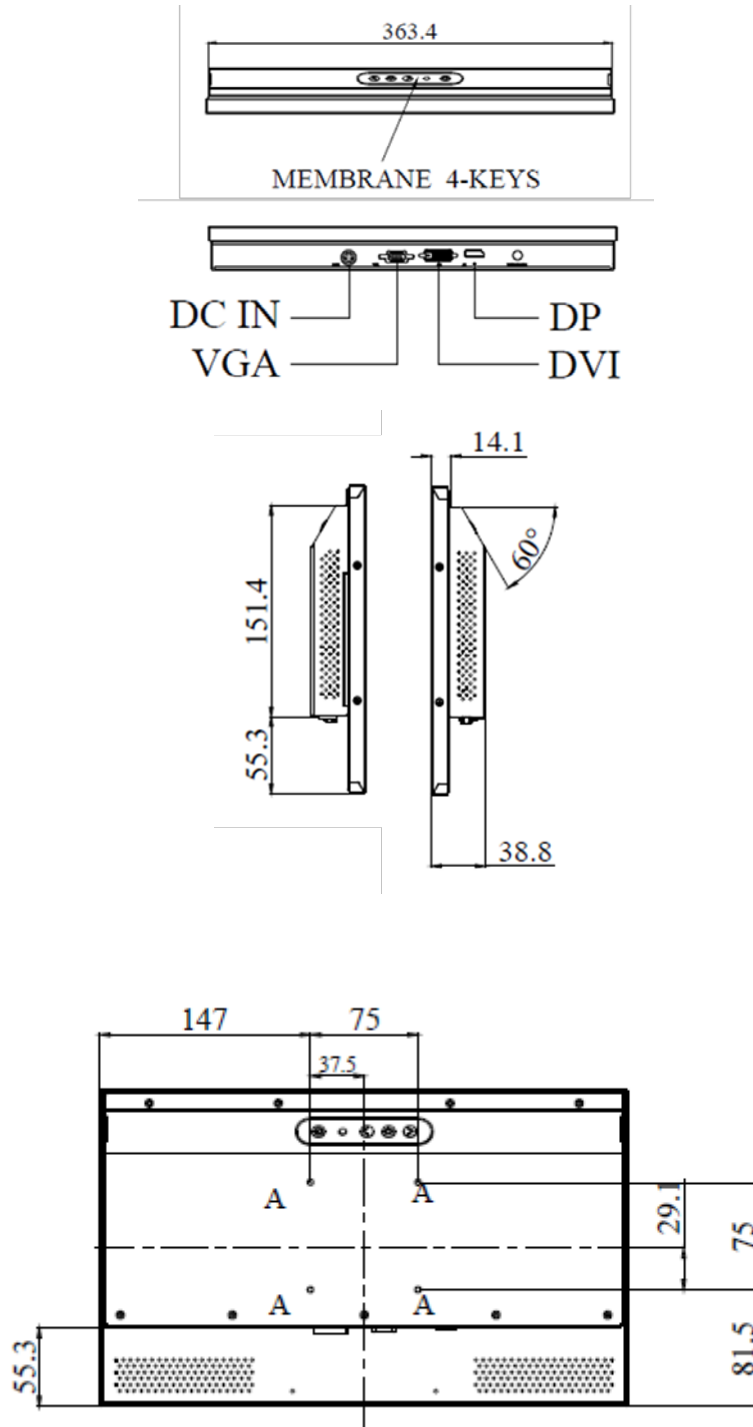


## Mechanical Drawing

### Outline Dimensions

Unit:mm





NOTE :

O.D. : OUTLINE DIMENSION

B.O. : BEZEL OPENING

A.A. : LCD ACTIVE AREA

A : 4-M4\_USER HOLE\_MAX Depth=4mm



### Ordering Information

Part Number	Description
DLD1567-ANB-I11	15.6",1400nits,1920x1080,LID15A,AD6038GDP,O/B,DC12V,3in1,V2

### Optional Accessories

Part Number	Description
810618301010	CABLE.POWER.AC.1830mm USA type
810618301090	CABLE,POWER,AC,1830mm Europe type
810618301050	CABLE.POWER.AC.1830mm UK type
810618301170	CABLE.POWER,AC,1830mm Australia type
810618301031	CABLE.POWER.AC.1830mm Japan type

### Customer request

Touch	PCT (Multi-Touch)
Glass	Tempered glass, AR coating.....