



SLD3255 V2 32" Wide TFT LCD Display, LED Backlight, 1000nits, FHD

SLD3255 V2 is a wide LCD display, built-in 1000nits high brightness for sunlight readable application. It offers the best visibility, performance and cost effective value. The high level of brightness together with fast response time and LED backlight technology, the monitor brings remarkable display quality. And guaranteeing product life cycle longevity, stability, and reliability.

Key Features

- Sunlight Readable
- LED Backlight
- FHD Resolution
- High Shock & Vibration Resistance
- Low EMI Noise
- Wide Dimming
- Wide Viewing Angle
- Life Expectancy
- Fanless Design



Specifications

V1

Model No.	SLD3255 V2
Description	32" Wide TFT LCD Display, LED Backlight, 1000 nits, FHD
Display Area (mm)	698.4 (H) x 392.85(V) mm
Brightness	1,000 cd/m ²
Resolution	1920 x 1080
Contrast Ratio	3000 : 1
Pixel Pitch (mm)	0.51(H) x 0.51(V)
Viewing Angle	178°(H), 178°(V)
Display Colors	16.7M colors
Response Time (Typical)	6.5ms (Typical)
Power Consumption	80w
Dimensions (mm)	734.4 x 436 x 72mm
Weight (Net)	11.5Kg
LED Driving Board	LID32A
Control Board	<input type="checkbox"/> AD2662GDHVA <input type="checkbox"/> AD2662GDVAR <input type="checkbox"/> AD2662GDHMVAR
<input type="checkbox"/> AD2662GDHVA	VGA+CVBS+S-Video+Audio (Optional DVI / HDMI)
<input type="checkbox"/> AD2662GDVAR	VGA+DVI (Optional CVBS / S-Video/ Component / Audio)
<input type="checkbox"/> AD2662GDHMVAR	VGA (Optional CVBS / S-Video/ Component / Audio / DVI / HDMI)
F / R Control Button	<input type="checkbox"/> 5 Key <input type="checkbox"/> 4K ey
<input type="checkbox"/> 5 Key	Power Switch, Menu, Select (+,-), Auto
<input type="checkbox"/> 4 Key	Power Switch, Menu, Select (+,-),
OSD Menu	Brightness, Contrast, H/V Position, Color, Phase, Clock...
Optional	<input type="checkbox"/> AOT <input type="checkbox"/> Touch Screen

Specifications are subject to change without notice.

All brands or product names are trademarks or registered trademarks of their respective companies.

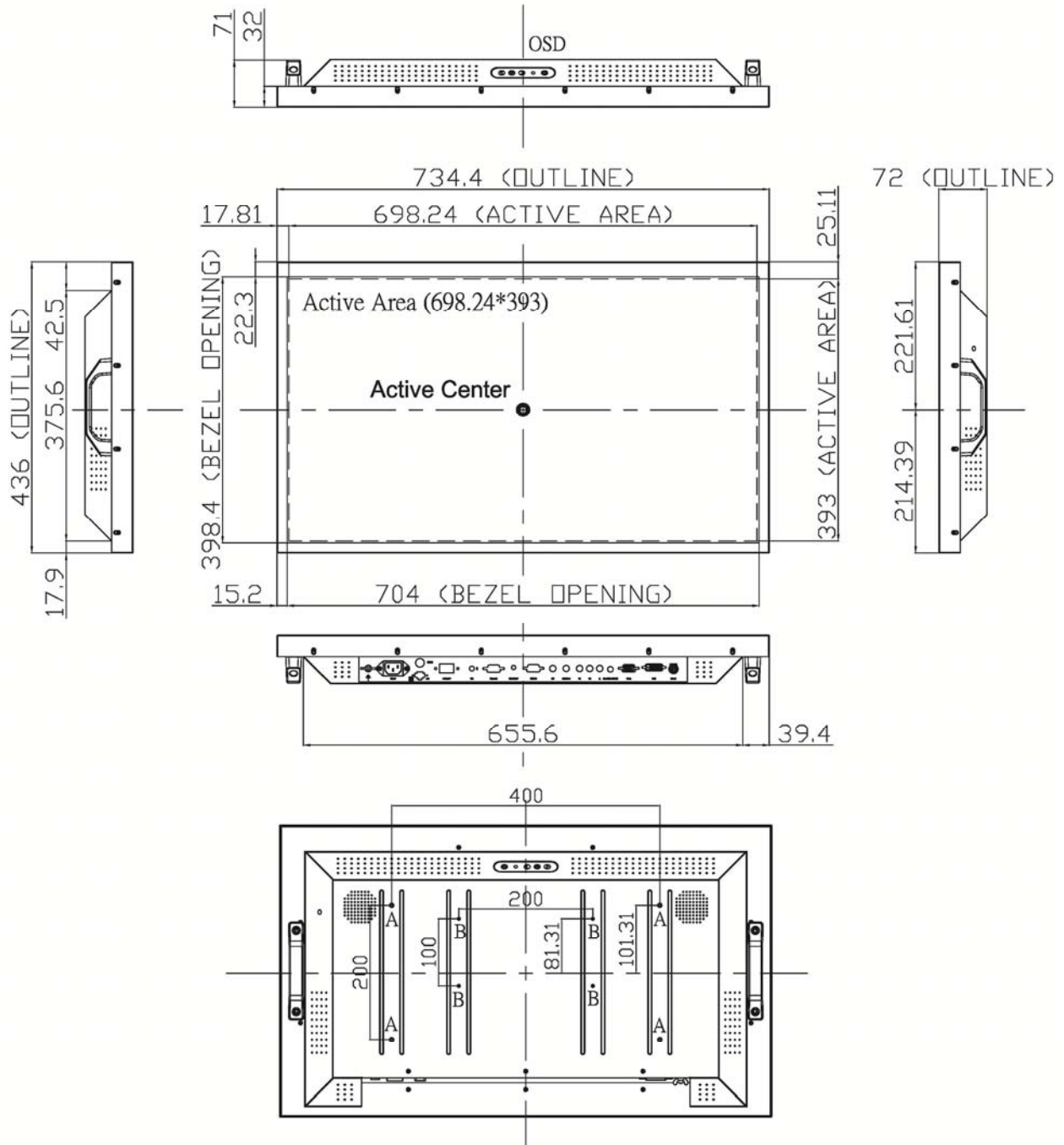
SLD= Panel+LED Driving Board+Control Board

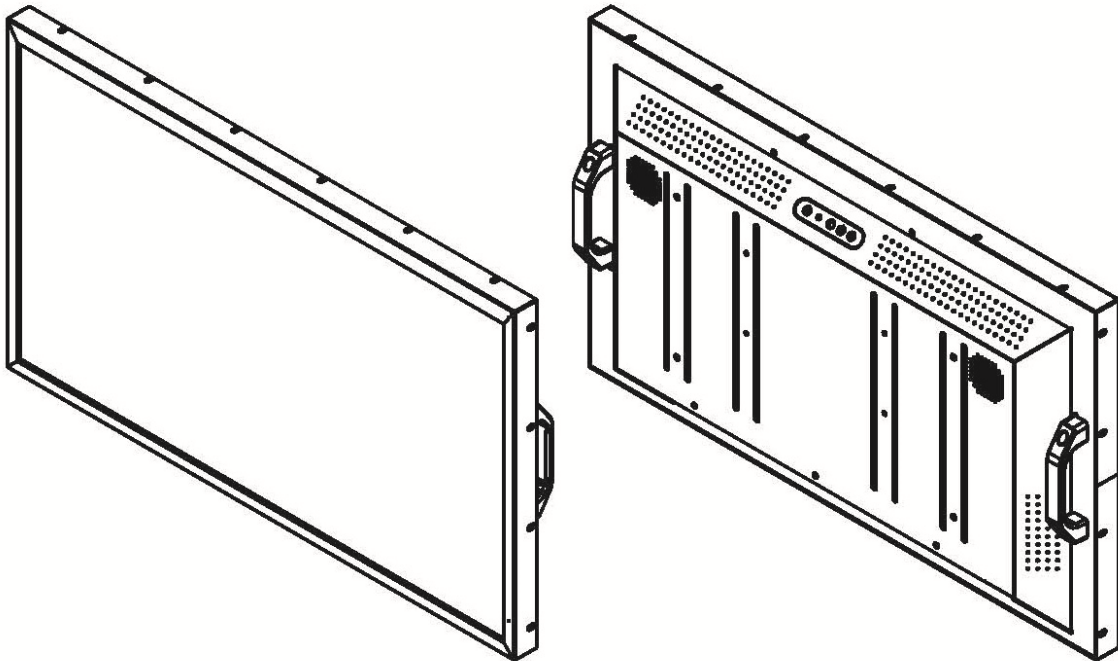
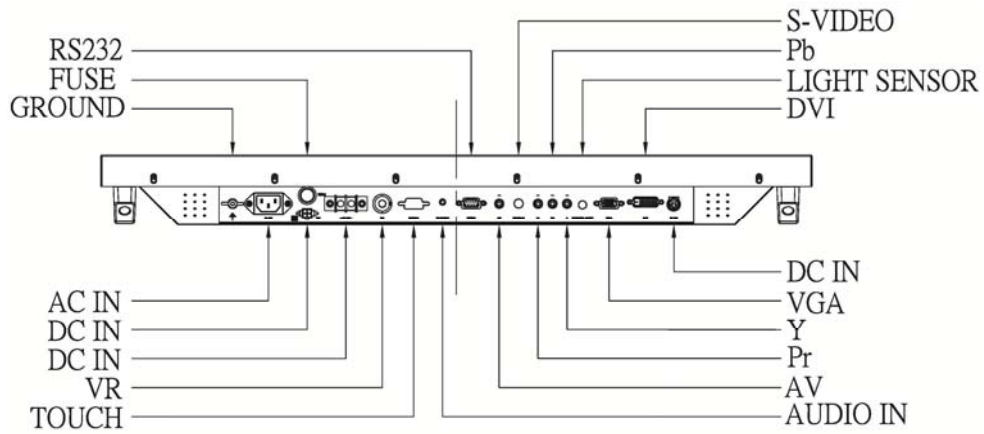


Mechanical Drawing

Outline Dimensions

Unit:mm





Ordering Information

Model Name	Description
SLD3255-ENB-G11	32", 1000nits, FHD, LID32A, AD2662GD, O/B, AC 100~240V input, V02

Optional Accessories

Part Number	Description
810618301010	CABLE.POWER.AC.1830mm USA type
810618301090	CABLE,POWER,AC,1830mm Europe type
810618301050	CABLE.POWER.AC.1830mm UK type
810618301170	CABLE.POWER,AC,1830mm Australia type
810618301030	CABLE.POWER.AC.1830mm Japan type