



SSD3805-I V1

37.6" Resizing LCD, 1000 nits LED backlight, 1920x540 ultra-wide aspect ratio 16:4.5

SSD3805-I is an innovative ultra-wide, sunlight readable, LED backlight LCD display. It provides LCD panel with specific ratios for digital signage, public transportation, exhibition hall, department store, vending machine and industrial applications. Incorporating with AD. control board and backlight design, it is high brightness and sunlight readable panel, can display high-quality video with energy-efficient.

Key Features

- Resizing LCD
- Ultra-Wide Screen (16 : 4.5)
- Sunlight Readable
- LED Backlight
- High Brightness 1000 nits
- Low Power Consumption
- Wide Dimming
- Slim Bezel



Specifications

Model No.	SSD3805-I V1
Description	37.6" Resizing LCD, 1000 nits LED backlight, 1920x540
Display Area (mm)	919.3(H) x 258.5(V) mm
Brightness	1000 cd/m ²
Resolution	1920x540
Aspect Ratio	16 : 4.5
Contrast Ratio	8500 : 1
Pixel Pitch (mm)	0.4788(H) x 0.4788(V)
Pixel Pre Inch (PPI)	52
Viewing Angle	+89°~-89°(H), +89°~-89°(V)
Color Saturation (NTSC)	78%
Display Colors	16.7M
Response Time (Typical)	9.5ms
Sync	LVDS
Operating Temperature	0 °C ~ 50 °C
Storage Temperature	-20 °C ~ 60 °C
Power Consumption	43W
Dimensions (mm)	967.6x 297.3 x 59.5 mm
Weight (Net)	8.7kg
LED Driving Board	LID38A
Control Board	<input type="checkbox"/> AD2662GDHMR (VGA+DVI+HDMI+RS232)
F / R Control Button	<input type="checkbox"/> 4 Key
<input type="checkbox"/> 4 Key	Power Switch, Menu, Select (+,-),
OSD Menu	Brightness, Contrast, H/V Position, Color, Phase, Clock...

SSD= Panel+ LED Driving Board + Control Board + Housing

Specifications are subject to change without notice.

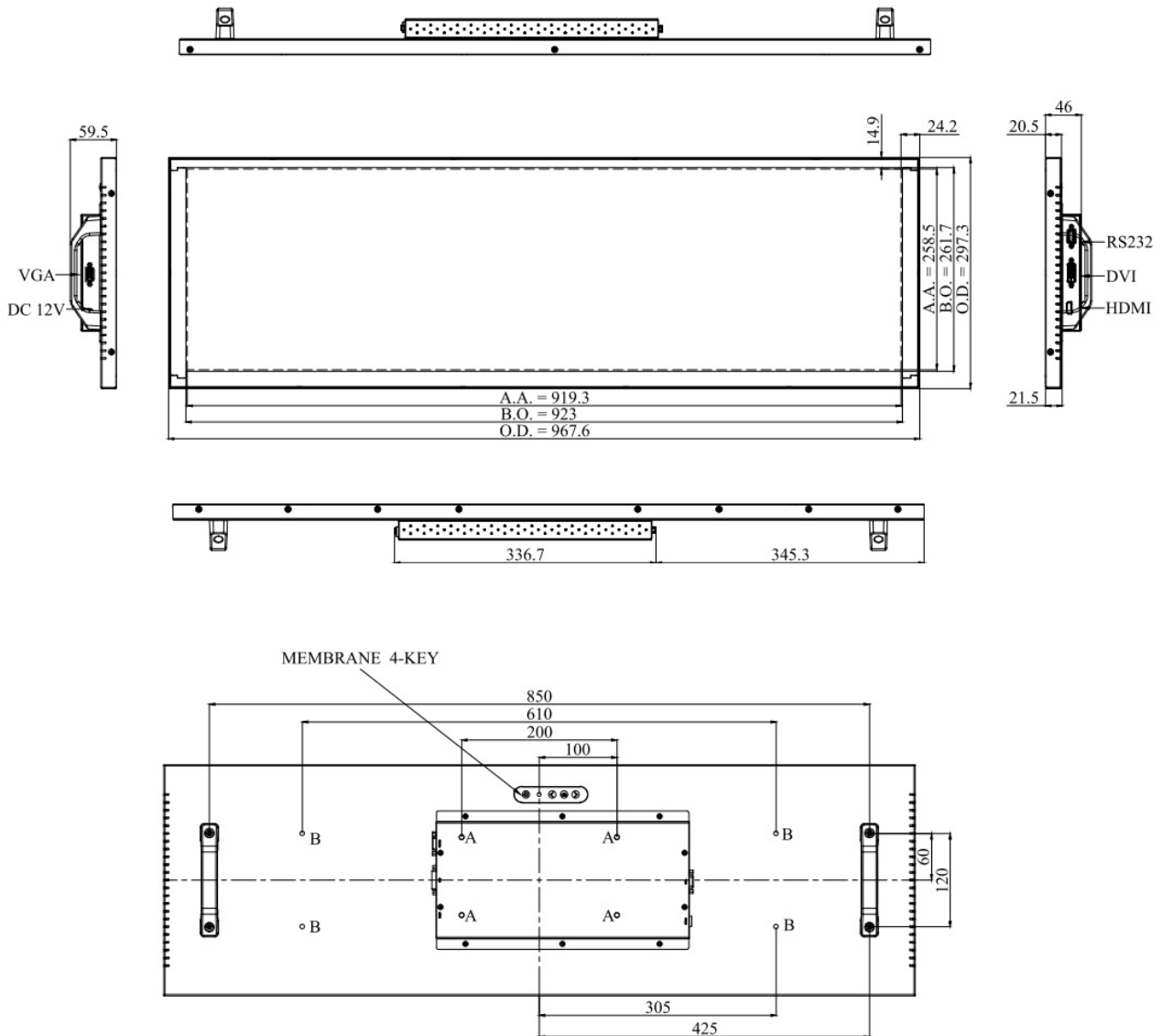
All brands or product names are trademarks or registered trademarks of their respective companies.



Mechanical Drawing

Outline Dimensions

Unit: mm



NOTE

O.D.:OUTLINE DIMENSION

B.O.:BEZEL OPENING

A.A.:LCD ACTIVE AREA

A:4-M6_USER HOLE Depth:21mm(MAX)

B:4-M6_USER HOLE Depth:8 mm(MAX)



Ordering Information

Part Number	Description
SSD3805-INB-G01	37.6",1000nits,1920*540,LID38A.LID38A.AD2662GDHMR,O/B,DC12V.2 in 1,V1

Optional Accessories

Part Number	Description
840612031101	ADAPTER.12V.3.33A.40W.G99-KPL040F-N051.DC Plug 2.1*5.5,P
810618301010	CABLE.POWER.AC.1830mm USA type
810618301090	CABLE,POWER,AC,1830mm Europe type
810618301050	CABLE.POWER.AC.1830mm UK type
810618301170	CABLE.POWER,AC,1830mm Australia type
810618301031	CABLE.POWER.AC.1830mm Japan type

Customer request

Touch	Resistive (Single-Touch), SCT (Single-Touch), PCT (Multi-Touch)
AOT	Liquid Bonding, OCA Bonding
Glass	Tempered glass, AR coating.....
DC to DC Power Board	DC9~36V input