

Multi-function Portable

HD LCD Monitor



User Manual

Product description:

Multi-functional portable HD LCD monitor is a new multi-function product, adopted advanced integrated circuits, high-quality new HD LCD panel, which make it wide application, casing compact, simple operation, and portable convenient. The monitor can be applied to photography viewfinder, FPV ground station, Security monitoring, baby monitors, live interview, and construction site video surveillance. Advertising and other terminal display application field.

The monitor build-in battery, if you don't install the battery, you can use the power supply or use the battery plate for external power supply.



To insure best use of the unit, please read the user's manual carefully

CAUTION

1. Do not use any damaged or leaking battery and please replace the battery immediately if its working life becomes short significantly
2. Do not expose this product to direct sunlight, heat or humid conditions
3. Keep away from strong light while using this product so as to obtain the clearest and the most colorful picture. Please use sun shade for the outdoor necessary
4. Please avoid heavy impact or drop on the ground.
5. Do not use chemical solutions to clean this unit. Please simply wipe with a clean soft cloth to keep the brightness of the surface.
6. Without adjustable component in the unit, please do not take apart or repair the unit by yourself, to avoid damage the product.

Features

- High brightness, contrast, high resolution with sun shade, visible under the sunshine
- Built-in VIDEO/AUDIO /HDMI inputs, enable for a various of signal
- External remote control, to control the functions of the monitor in distance.
- Optional for external battery plate and various batteries for outdoor usage
- 4 F Buttons can be self-defined for different function,
- Picture zoom can be operated full-screen, up/down, left/right
- Camera mode, screen marker, centre marker, picture freeze, mirror picture, check field, picture to picture, peaking focus



CONTENTS

1. Product description -----	3
2. Operation instruction -----	9
3. Technical parameters -----	15
4. Trouble shooting-----	16

1. Product description

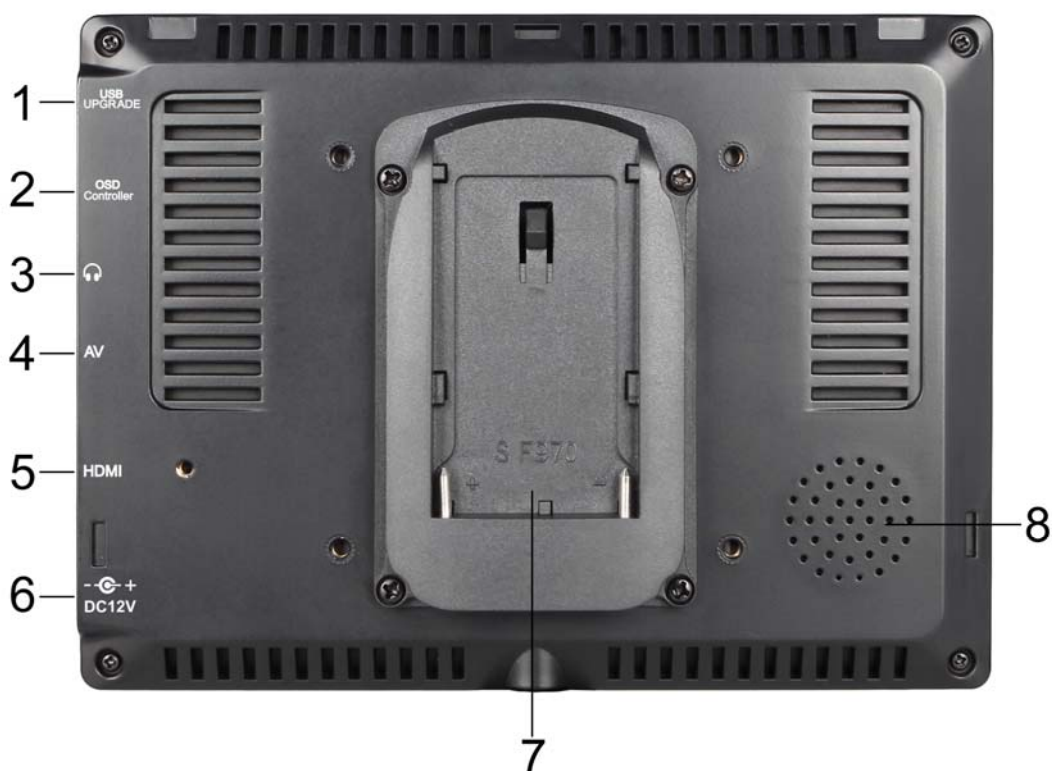
1.1 Front view:





1. Power Indicator light: when power on/standby, it turns red; when signal in, it turns green!
2.  : Power on/off
3. F4: custom button, enter secondary menu item
F (self-defined button), then self-define the function that user need
4. F3: custom button same as F4 operation
5. /F2: Multi button. In OSD Menu for up adjustment. It can be custom button when not in OSD. See F4.

6. **√/F1**: Multi button. In OSD Menu for down adjustment. It can be custom button when not in OSD. See F4.
7. **MENU**: Menu button
8. **>**: Volume up, in OSD menu to increase the value of analog on the menu.
9. **<**: Volume down, in OSD menu to decrease the value of analog on the menu.
10. **MODE**: Signal Switch Button
11. **LCD Display**

1.2 Rear View:



1. USB Update Port

2. OSD Controller input. Can insert OSD Controller into this port, to have a remote operation on the parameters of the monitor
3. : Earphone insert
4. AV: AV signal input, to input the AV signal into the monitor through the assorted port
5. HDMI: HDMI(High Definition Multimedia Interface) signal input
6. : DC power input interface, pole of the power should match the image.
7. Battery Plate
8. Built-in Speaker

1.3 VIDEO Matched Cable (option)



The input of the VIDEO signal is 3.5mm four section plug (as the picture above)

When use,

Insert the black plug (1) into the video input of the monitor

White RCA jack (2) for L Audio input

Red RCA jack (3) for R Audio input
Yellow RCA jack (4) for Video input

1.4 HDMI Lock



1. HDMI locking plate
2. Locking Screw

To use HDMI locking plate to lock the plug of HDMI cable, then put the locking plate close to the monitor, and finally bolt the locking screw to lock the plate with the monitor. As the picture below (arrow direction)



1.5 Sunshade



① Sunshade



② Sunshade Frame



③ Complete Shape



④ Sunshade Application

First to open the sunshade ①, and match the sticker on the sunshade inside to the marked part of the sunshade frame, press the side of the sunshade frame, ③ smooth and press 3 sides on the sunshade, ④to lock the sunshade with the monitor tight.

1.6 Battery Plate

There is a battery plate installed on the back of the monitor, can assemble the corresponding battery to power the monitor. There are many different battery plates. The customers can choose the suitable battery plate according to the battery.

Battery Plates in different model as below:



F970



LP-E6



D28

●**Sony F970 battery plate for battery of Sony DV:**

Sony F970 F960 F950 F930 F770 F750 F730 F570 F550 F530
QM91D OM91 QM90D QM90 QM71D QM71 QM70D QM70
QM51D QM51 FM71 FM70 series

●**LP-E6 battery plate for battery of Canon DV:**

Canon LP-E6

●**D28 battery plate for battery of Panasonic DV:**

Panasonic D55 554S D54SE D40 D35 D33 D32 D28 D25 D22
series

●**Three types of batteries corresponding to the upper three slots**



F970



LP-E6




D28

Remark: Different specifications of the battery, capability is different. The working time for the monitor will be different. Higher capability (working time) will be longer. Please take off the battery from the monitor if you don't use the monitor in a long time

2. operation instruction

Before setting the menu functions, please make sure the device is connected correctly. Power switch dial to ON position, according to the input signal to switch VIDEO、HDMI, When the power indicator of the monitor go on (Red), then following instructions below and choose the corresponding key to operate monitor.

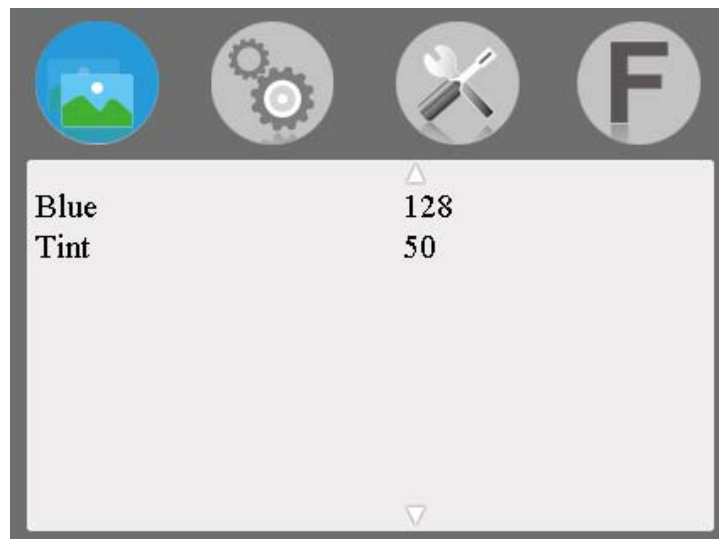
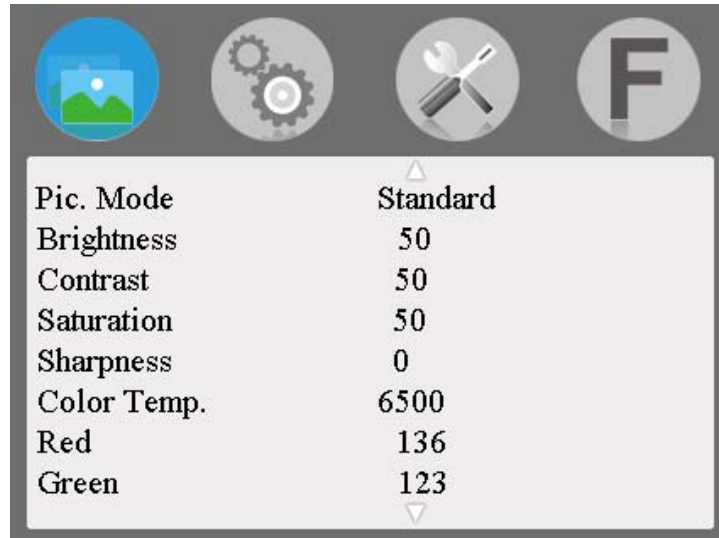
2.1 Button instructions:

-  \Rightarrow Power on/off
- MODE** \Rightarrow Signal Switch Button
- MENU** \Rightarrow Menu button
- F3, F4 \Rightarrow custom button, enter the OSD menu of the F secondary menu, operate “>” on the unit to select, then using “ ∇ /F1” or “ \wedge /F2” to select, **Press** "MENU" button to custom Settings.
- ∇ /F1 \Rightarrow Multi button. In OSD Menu for down adjustment. It can be custom button when not in OSD. See F4.
- \wedge /F2 \Rightarrow Multi button. In OSD Menu for up adjustment. It can be custom button when not in OSD. See F4.
- > \Rightarrow Volume up, in OSD menu to increase the value of analog on the menu
- < \Rightarrow Volume down, in OSD menu to decrease the value of analog on the menu.

2.2 Menu instructions



Image color (including 2 page menus “ ∇ /F1” or “ \wedge /F2” to enter)



- ※ **Pic. Mode:** Standard, dynamic, downy, user
When select “**user**”, it could according to the practical situation to adjust the image of "brightness, contrast, saturation, sharpness.
- ※ **Brightness:** To adjust the image's brightness.
- ※ **Contrast:** To adjust the brightest and darkest ratio of the image, please note the sense of picture when adjust,

proportion too large or small, will make the picture lose the color of showy.

- ※ **Saturation:** To adjust color concentration.
- ※ **Sharpness:** Also called “Resolution”, an indicator for the Image plane definition and image edge sharpness. If Sharpness is higher, then the details contrast on the image is more higher, the image is more clearly.
- ※ **Color Temp. :** 6500, 9300, User
When select“**user**”, adjust the R/G/B to meet the different user's requirement on the different Color Temp.
- ※ **Tint:** On NTSC video mode, the image color tint difference is adjusted by tint.



Setting (including 2 page menu use“ ∇ /F1”or“ \wedge /F2”to enter)

●**Menu of Page one**

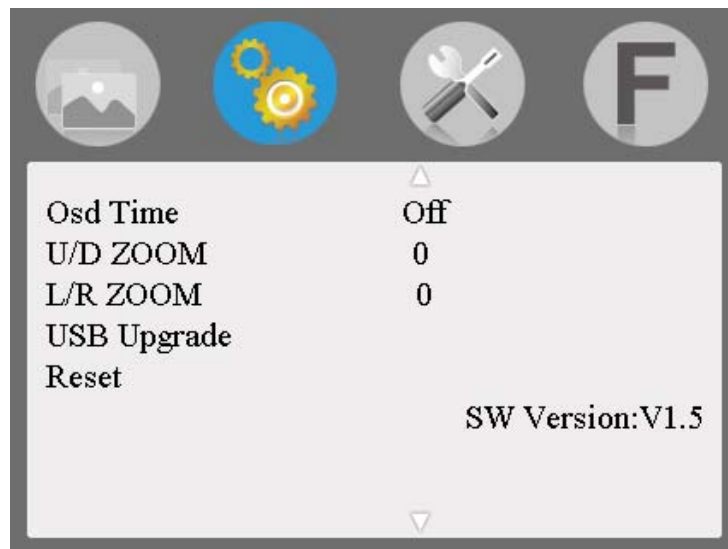
Language	English
Aspect Ratio	16:9
NO signal	Blue Screen
OSD Trans.	Off
OSD H	50
OSD V	50
Camera Mode	Off
ZOOM All	0

- ※ **Language:** language for OSD: Chinese English
- ※ **Aspect Ratio:**To change the display to ratio panoramic

view, automatic, just scan, zoom 1, zoom 2, 16:9, 4:3.

- ※ **NO Signal:** Color options of screen background when no signal: Black screen, white screen, red screen, green screen, blue screen.
- ※ **OSD Trans. :** To adjust the level of transparent
- ※ **OSD H:** To adjust the OSD position in horizontal.
- ※ **OSD V:** To adjust the OSD position in vertical.
- ※ **Camera Mode:** the monitor video has real-time images.
NO black screen, NO delay, perfect without distortion.
- ※ **ZOOM ALL:** press“<” or“>”button, to adjust the image to Zoom in or Zoom out.

●Menu of page two

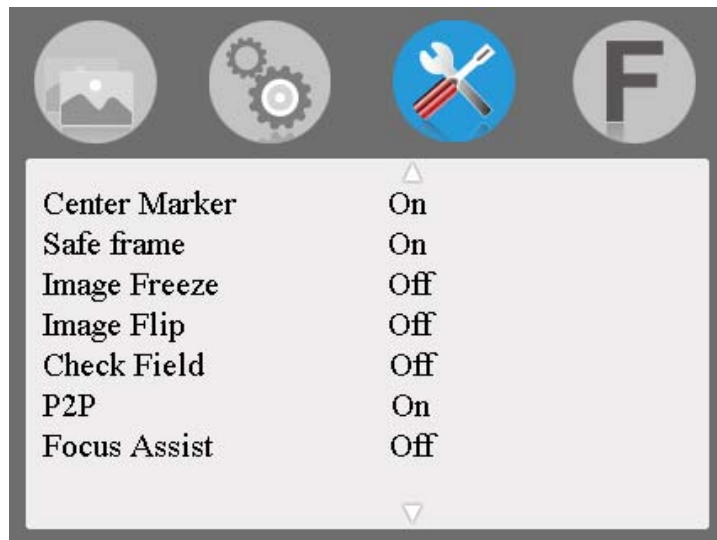


- ※ **Osd Time:** To adjust the clock.
- ※ **U/D ZOOM:** Press“<” or“>”button, to adjust the proportion of the image up and down to Zoom in or Zoom out.

- ※ **L/R ZOOM:** Press“<” or“>”button, to adjust the proportion of the image Left and right to Zoom in or Zoom out.
- ※ **USB Upgrade:** When the need for the native data application software upgrade, copy the file to the U disk, again through the USB cable to connect with upgrade USB port, press ">" key to confirm. After the upgrade, monitor will automatically restart.
- ※ **Reset:** Press“>”button, Back to original setting



Function



- ※ **Center Marker:** To set centre mark (cross mark) display
- ※ **Safe frame:** To adjust screen marker(off, 96%, 93%, 90%, 85%, 80%, 2.35:1)
- ※ **Image Freeze:** the current picture still (capture function)
- ※ **Image Flip:** The U/N, L/R of the image around flip

- ※ **Check field:** Color, black and white/monochrome switching, to switch image color, black and white/monochrome switching, to switch image color, black and white, monochrome(red, green, blue).
- ※ **P2P:** The display mode that made the resolution of the image consistent with display of the physical resolution.
- ※**Focus Assist:** as viewfinder to peaking focus assist image (under HDMI input)



Shortcut button setting



- ※ **F1:** Optional F1, then press “>”button, can select (center marker, safe frame, monochrome display, check field, display ratio, image flip, pixel to pixel, Image Freeze, camera mode),use “ \surd /F1” or “ \wedge /F2”button to select one of optional as definition function. Press “MENU” button to confirm and exit or press “MENU” again return to setting.

※ **F2**: custom button, see F1

※ **F3**: custom button, see F1

※ **F4**: custom button, see F1

3、 Technical parameters

Panel size	IPS LCD 7.0inch
Panel type	IPS LCD
Resolution	1280x800xRGB = 3072000 Pixels
Backlight	LED
Dot pitch	0.11775(W) x 0.11775 (H)
Display ratio	16:10
Brightness	400cd/m ²
Contrast ratio	800:1
Response time	25ms
Viewing angle	89°/89°(L/R) 89°/89°(U/D)
Input signal	Video / Audio / HDMI
Video color system	PAL-4.43 / NTSC-3.58
HDMI support format	480i /480p /576i /576p 720p (60/59.94/50/30/29/25/24/23.98) 1080i (60/59.94/50) 1080p (60/59.94/50/30/29.97/25 / 24/24fps/23.98/23.98fps)
Headphone output	stereo 3.5mm

Input voltage	DC:7.4~35V
Power consumption	≦5W
Unit size (mm)	176(L)x130(W)x17(H)mm
Unit weight	400g
Installation method	1/4 inch bracket screw holes, can be easily connected to the hot shoe mount, tripod fixed installation
Working temperature	- 20 ~ 50℃
Storage temperature	- 30 ~ 60℃

4. Trouble shooting

4.1 Only black and white or monochrome picture:

- ① Please check saturation, brightness & contrast adjustment.
- ② Please check monitor "color" from the menu "monochrome" is in black and white or monochrome image or other condition.

4.2 NO Image after put on the power

- ① Check signal cable contact are in good condition, a monitor is synchronized with the input signal, and can press the "MODE" give it a try.
- ② Check signal cable connecting, and make sure use the standard adapter connect the monitor. If power supply by battery, please check the battery whether fully charged.

4.3 No sound

① Volume control did not open, can press the volume button, and try increasing the volume.

② Check the AUDIO input and ensure there have AUDIO signal

■Remark: If there are still other problems, please contact with our related deals.

★If there are changes without prior notice.