

# 1040 1200 SERIES



touch screen



USB 2.0

VGA DVI



12"

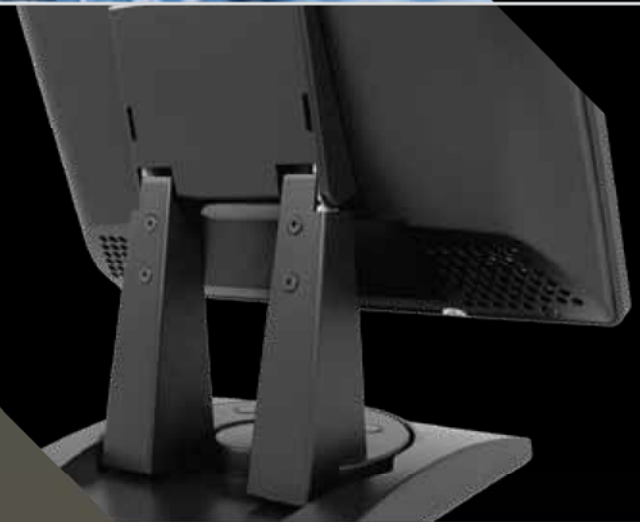
1200 TS



10.4"

1040 TS

**XENARC**  
TECHNOLOGIES

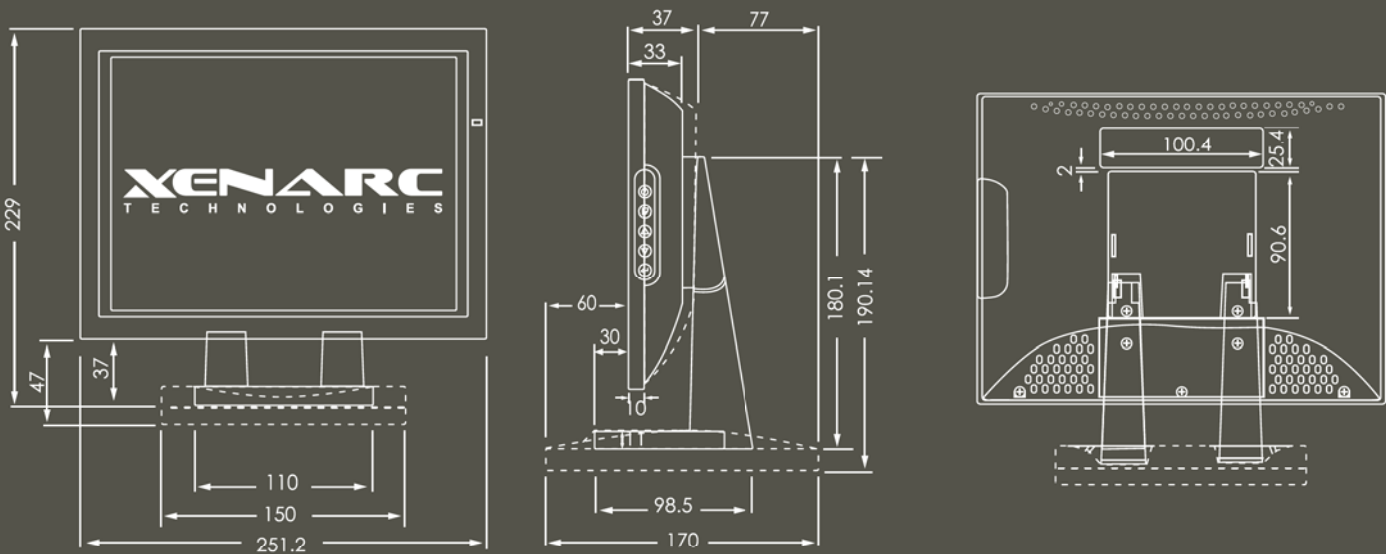


- ▶ 4 Wire resistive touchscreen (10.4") 5 Wire (12")
- ▶ 4x3 Aspect Ratio
- ▶ Removable stand: 90 degree tilt, 56 degree swivel (10.4")
- ▶ VESA 75mm Standard
- ▶ Brightness - 230 cd/m<sup>2</sup> (1040 TS), 450 cd/m<sup>2</sup> (1200 TS)

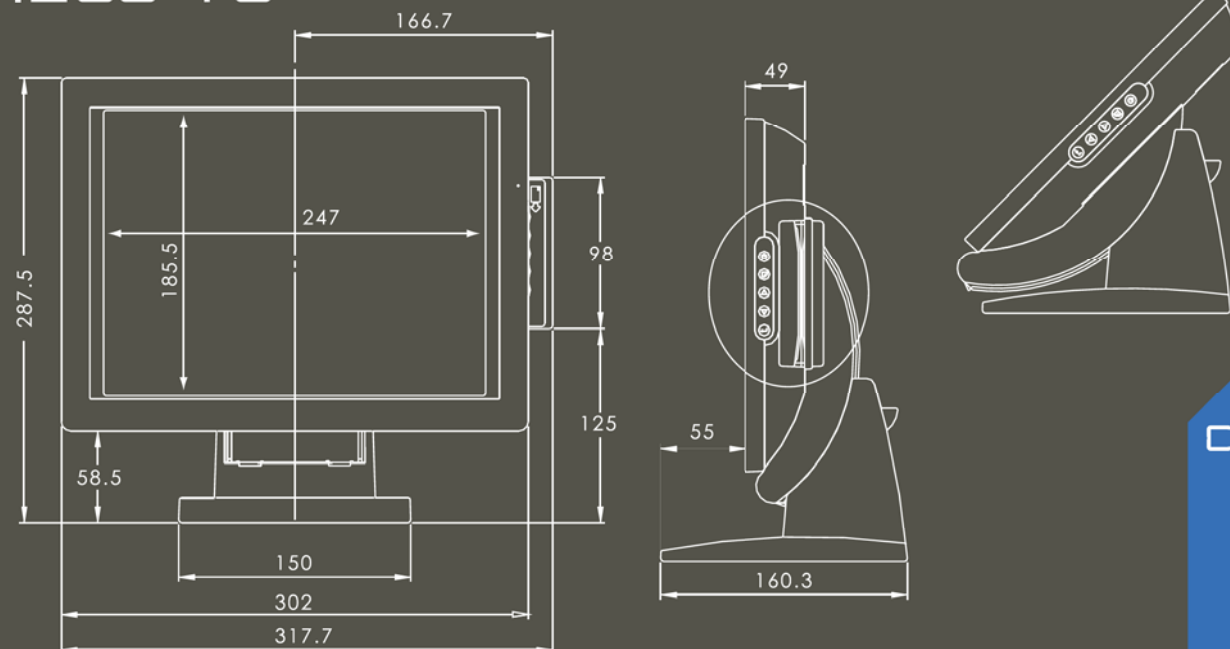
Physical Resolution: 800x600  
 Supported Resolution: 640x480 - 1024x768  
 Brightness: 230 cd/m<sup>2</sup> (1040 TS), 450 cd/m<sup>2</sup> (1200 TS)  
 Contrast Ratio: 500:1 (1040TS), 700:1 (1200TS)  
 Viewing Angle: 140° Horizontal, 120° Vertical (1040TS)  
 160° Horizontal, 140° Vertical (1200TS)  
 Response Time (Tr/Tf): 10/25ms (Typ.)

Operating Voltage: DC 12V  
 Power Consumption: <18W (1040TS), <12W (1200TS)  
 Operating Temp: 32°F ~ 104°F  
 Storage Temp: -4°F ~ 140°F  
 Weight: 6.61lbs w/ base, 3.31lbs w/o base (1040TS)  
 7.91lbs w/ base, 5.73 w/o base (1200TS)  
 24 Month Warranty  
 All measurements are in [ mm ]

### 1040 TS



### 1200 TS



TEL: 949.380.8898 FAX: 949.380.0888  
 EMAIL: SALES@XENARC.COM

CERTIFICATIONS



RoHS

