



touch screen



AUDIO



USB 2.0

VGA

SUNLIGHT READABLE 7" MONITOR



XENARC
TECHNOLOGIES



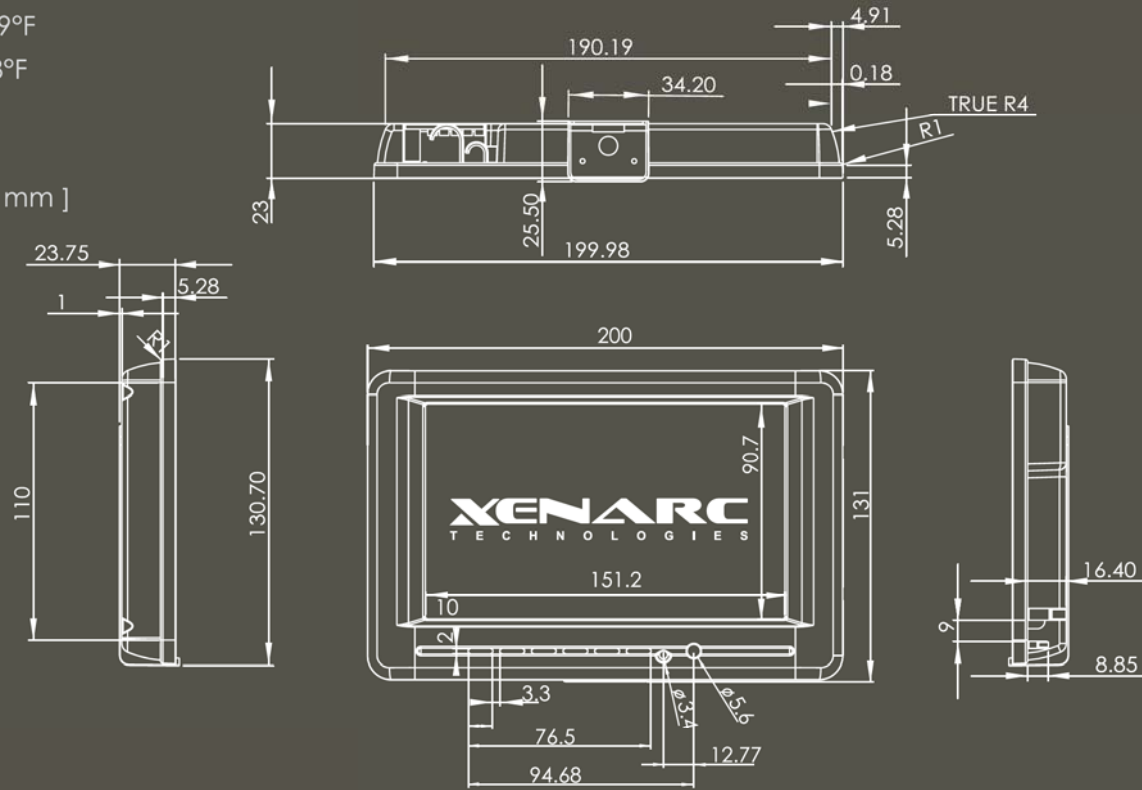
- 5 Wire resistive touch - USB
- 16x9 Widescreen aspect ratio
- Brightness - 1000 cd/m² sunlight readable
- Vertical and Horizontal image flip
- Adjustable backlight for night-time use
- Pixelworks High Performance image and video processor
- 20 Pin heavy-duty connector
- Anti-Reflective coating



702 SERIES

SPECIFICATIONS

Physical Resolution: 800x480
Supported Resolution: 640x480 - 1366x768
Brightness: 1000 cd/m²
Contrast Ratio: 400:1
Viewing Angle: 140° Horizontal, 100° Vertical
Response Time (Tr/Tf): 12/18ms (Typ.)
Operating Voltage: DC 10V ~32V
Power Consumption: <10W
Operating Temp: 14°F~149°F
Storage Temp: -22°F ~ 158°F
Weight: 1.53lbs
24 Month Warranty
All measurements are in [mm]



SUNLIGHT READABLE 7" MONITOR

CERTIFICATIONS



RoHS



TEL: 949.380.8898 FAX: 949.380.0888
EMAIL: SALES@XENARC.COM