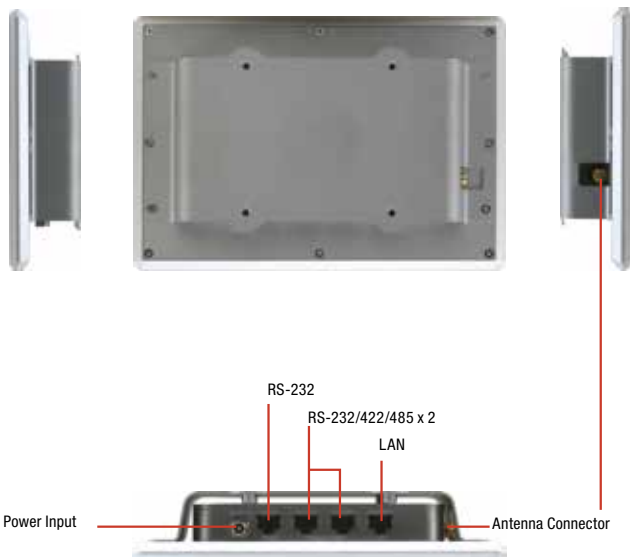
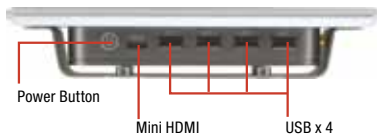


7" Ultra-Slim Fanless Multi-Touch Panel PC with Intel® Atom™ N2600, 2GB RAM



Features

- 7" WSVGA (1024 x 600) Color TFT LCD Display
- Intel® Atom™ N2600 Processor
- Wide Screen with Projected Capacitive Multi-Touch
- Anti-Scratch Surface : 7H Surface
- Thickness: 13mm LCD + Touch, and 20mm Chassis
- Aluminum Design
- IP65 Compliant True Flat Screen
- Fanless System
- VESA 100/ Stand Support



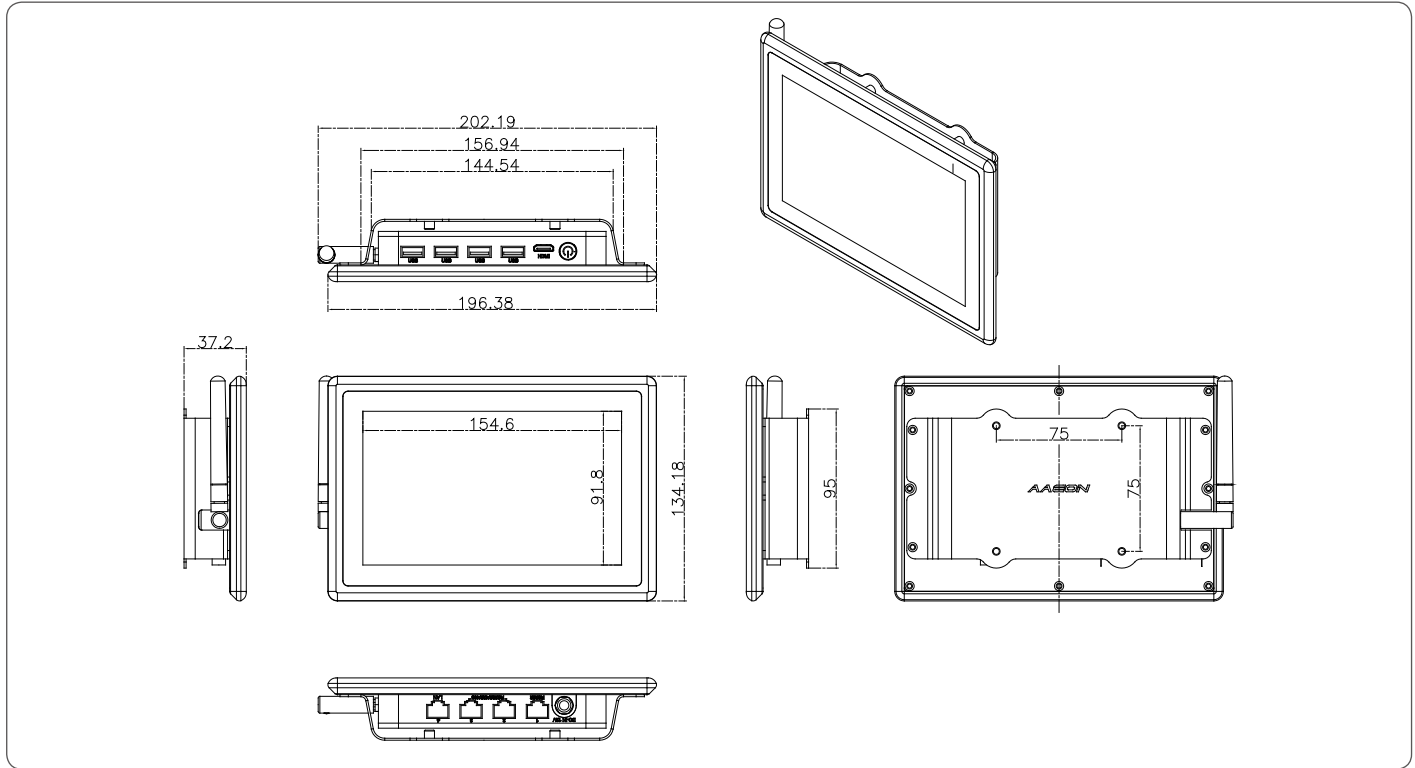
Specifications

System	
Processor	Intel® Atom™ N2600 1.6 GHz processor
System Memory	204-pin DDR3 SODIMM up to 2GB, 2GB inside
LCD/CRT controller	Intel® NM10
Ethernet	10/100/1000Base-TX, RJ-45 x 1
I/O Port	RJ-48 Type RS-232/422/485 x 2 RJ-48 Type RS-232 x 1, USB 2.0 x 4, Mini HDMI x 1, RJ-45 Type LAN x 1, Lockable Power Input Connector, Power switch x 1
Storage Disk Drive	Half-size mSATA Storage (Suggest AAeon Factory Installed)
Expansion Slot	WiFi Module (By Module)
OS support	Windows® XP 32-bit, Windows® 7 32-bit, Linux Kernel 2.6.3 or higher
Mechanical	
Construction	IP65/NEMA 4 For Plastic Front Bezel, Aluminum Back Chassis
Mounting	VESA 100/ Stand
Dimension	7.96" x 5.28" x 1.46" (202.19mm x 134.18mm x 37.2mm)
Carton Dimension	13.58" x 7.87" x 9.65" (345mm x 200mm x 245mm)
Gross Weight	5.5 lb (2.5kg)
Environmental	
Operating Temperature	32°F ~ 113°F (0°C ~ 45°C) without Airflow 32°F ~ 122°F (0°C ~ 50°C) with Airflow
Storage Temperature	-4°F ~ 158°F (-20°C ~ 70°C)
Storage Humidity	95% @40°C; non-condensing
Vibration	1g rms / 5 ~ 500Hz / operation – With HDD
Shock	15G peak acceleration (11 msec. duration) – With HDD
EMC	CE/FCC Class A
Power Supply	
DC input	DC12V , With Power Adapter w/ Lock (In Package)
LCD	
Display type	7" TFT-LCD, LED
Max Resolution	1024 x 600
Max. Colors	26M colors (6/8-bit for R,G,B)
Luminance	250 cd/m ²
Viewing Angle	150°(H), 145°(V)
Back Light	LED
Back Light MTBF (hours)	50,000
Touchscreen	
Type	Projected Capacitive Touch (two points)
Light Transmission	90%

ACP-1073

Dimension

Unit: mm



Ordering Information

Part Number	Display Type	Max Resolution	Luminance	Backlight MTBF	CPU	LAN	USB 2.0	RS-232	RS-232/422/485	Storage	RAM	Display	Expansion	Mounting	Power	Temp.	Touch
ACP-1073HTT-A1-1010	7" TFT-LCD	1024 x 600	250 cd/m ²	50,000	Intel® Atom™ N2600, 1.6GHz	1	4	1	2	Half size mSATA HDD	2GB RAM	Mini HDMI x 1	—	VESA 100/Stand	DC 12V	0°C ~ 45°C (w/o airflow)	Projective Capacitive Touch (Two Points)
ACP-1073HTT-A2-1010	7" TFT-LCD	1024 x 600	250 cd/m ²	50,000	Intel® Atom™ N2600, 1.6GHz	1	4	1	2	Half size mSATA HDD	2GB RAM	Mini HDMI x 1	WiFi Inside	VESA 100/Stand	DC 12V	0°C ~ 45°C (w/o airflow)	Projective Capacitive Touch (Two Points)

Packing List

- Power Adapter
- 1700090156
RJ-45 to COM Cable x 3
- M041073000
VESA Mount Kit
- M041103020
Panel Mount Kit (Should buy two for pair)
- VESA Screws
- Product DVD
- ACP-1073

Optional Accessories

- 1255300604
Power Adapter DC12V, 60W
- 1702031802
Power Cord (US Type)
- 1702031803
Power Cord (European Type)
- M041073020
Stand Kit

Half Size mSATA Storage Device

- 968C008G0G
(TF)Half-sized, 8GB, mSATA SSD, MLC, -40°C ~ +85°C
- 968C016G1W
(TF)Half-sized, 16GB, mSATA SSD, MLC, -40°C ~ +85°C
- 968C016G1U
(TF)Half-sized, 16GB, mSATA SSD, MLC, -40°C ~ +85°C
- 968C032G1B
(TF)Half-sized, 32GB, mSATA SSD, MLC, -40°C ~ +85°C
- 968C032G0L
(TF)Half-sized, 32GB, mSATA SSD, MLC, -40°C ~ +85°C
- 968C064G0T
(TF)Half-sized, 64GB, mSATA SSD, MLC, -40°C ~ +85°C

Note: AAEON strongly recommend you to buy AAEON factory-installed mSATA HDD if you need a mSATA HDD.