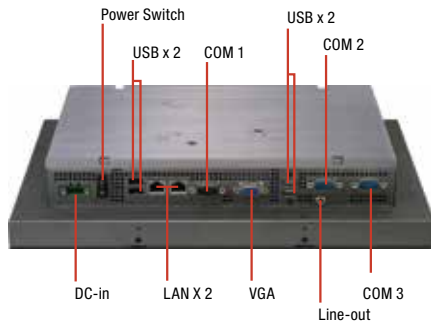


# ACP-2153

15" Multi-Touch Panel Computer With Intel® Atom™ D2550 1.86GHz Processor, 2GB RAM



## Features

- 15" XGA (1024 x 768) Color TFT LCD Display
- Open-Frame Design (Without Edge)
- Easy-to-clean: Multi Touch
- Intel® Atom™ D2550 Processor
- Fanless System
- Mini PCI-E Expansion
- Support VESA 75/100 and Panel Mount Support



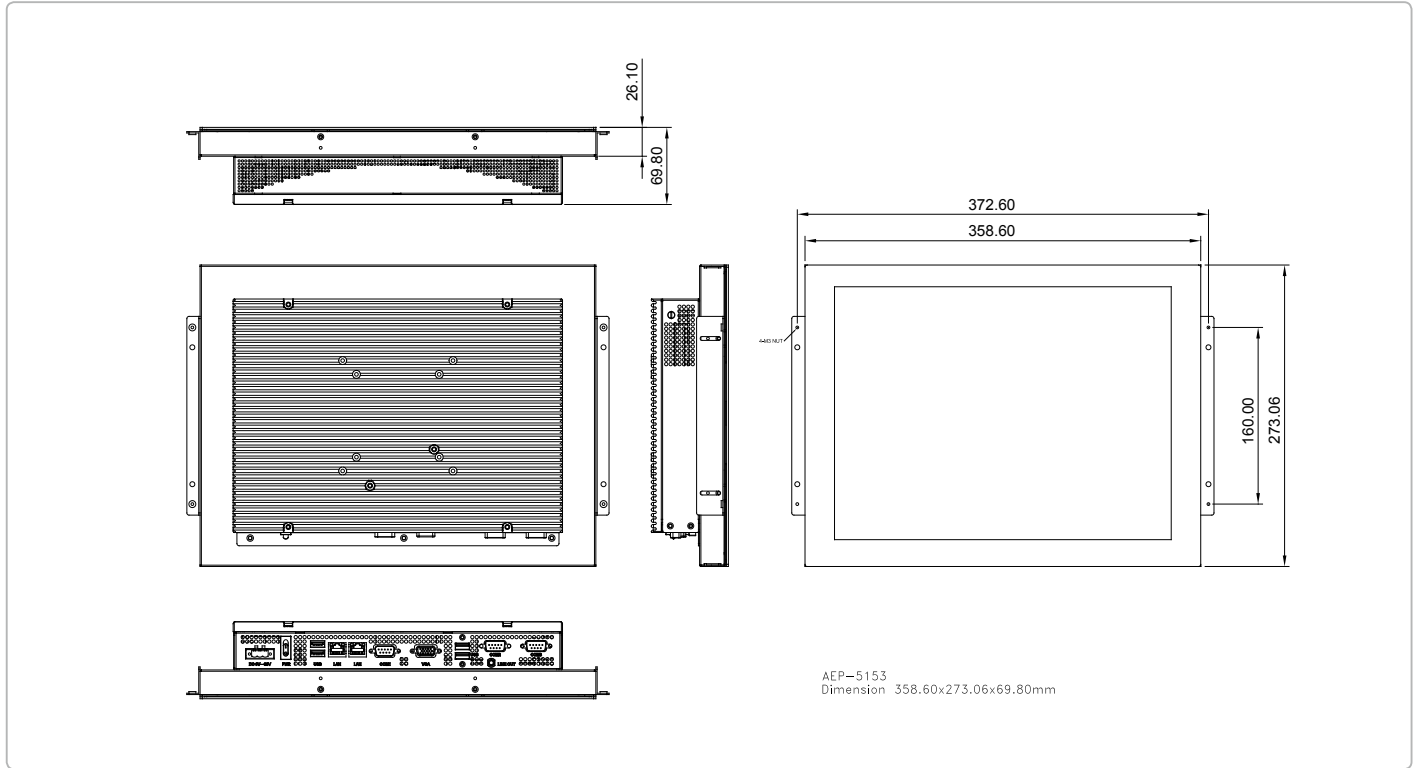
## Specifications

System	
Processor	Intel® Atom™ D2550 processor, 1.86 GHz
System Memory	DDR 3 SODIMM up to 4GB, 2GB inside
LCD/CRT controller	Intel® NM10
Ethernet	10/100/1000Base-TX, RJ-45 x 2
I/O Port	RS-232 x 2, RS-232/422/485 x 1 USB 2.0 x 4 Line-out x 1 VGA out x 1 RJ-45 x 2 Power input 3-pins terminal block x 1 Power switch x 1
Storage Disk Drive	2.5" SATA Hard Disk Drive/CFast™
Expansion Slot	Mini PCIe card x 1
OS support	Windows® XP, Windows® 7 32-bit, Linux Fedora
Mechanical	
Construction	Open Frame
Mounting	VESA 75/100, Panel Mount
Dimension	15.04" x 10.75" x 2.75" (382.6mm x 273.1mm x 69.8 mm)
Carton Dimension	20.67"(W) x 18.31"(H) x 9.1"(D) (525mm x 465mm x 230mm)
Gross Weight	16.5 lb (7.48 Kg)
Net Weight	13.17 lb (5.98 Kg)
Environmental	
Operating Temperature	-4°F ~ 140°F (-20°C ~ 60°C)
Storage Temperature	-4°F ~ 158°F (-20°C ~ 70°C)
Storage Humidity	10%~90% @40°C; non-condensing
Vibration	1g rms/ 5~ 500Hz/ operation – With HDD
Shock	20G peak acceleration (11 msec. duration) – With HDD
EMC	CE/FCC Class A
Power Supply	
DC input	9~30V 3-pin terminal block
LCD	
Display type	15" TFT-LCD
Max Resolution	1024 x 768
Max. Colors	16.7M colors (6/8-bit for R,G,B)
Luminance	400 cd/m <sup>2</sup>
Viewing Angle	160°(H), 140°(V)
Back Light	LED
Touch Screen	
Type	Projective Capacitive Touch (two points)
Light Transmission	90%

# ACP-2153

## Dimension

Unit: mm



## Ordering Information

Part Number	Display Type	Max Resolution	Luminance	View Angle	Backlight MTBF (Hours)	CPU	LAN	USB	RS-232	RS-485/422/232	Storage	RAM	Display	Expansion	Mounting	Power	Temp.	Touch
ACP-2153HTT-A1-1012	15" TFT-LCD	1024 x 768	400 cd/m <sup>2</sup>	160(H), 140V	50,000	D2550, 1.86GHz	2	4	2	1	CFast™ kit X 1 SATA-HDD kit x 1	2GB	VGA x 1	Mini card x 1	VESA 75/100	DC 9~30V	-20°C ~ 60°C (w/o air)	Projective Capacitive Multi-Touch (two points)

## Packing List

- Mounting Brackets and Screws
- Product CD
- ACP-2153

## Optional Accessories

- **1757908401**  
AC/DC Power Adapter, 12V 84W
- **1702031802**  
Power Cord (US Type)
- **1702031803**  
Power Cord (European Type)
- **170203180E**  
Power Cord (Japanese Type)
- **9761215303**  
Wireless Module (b/g/n)