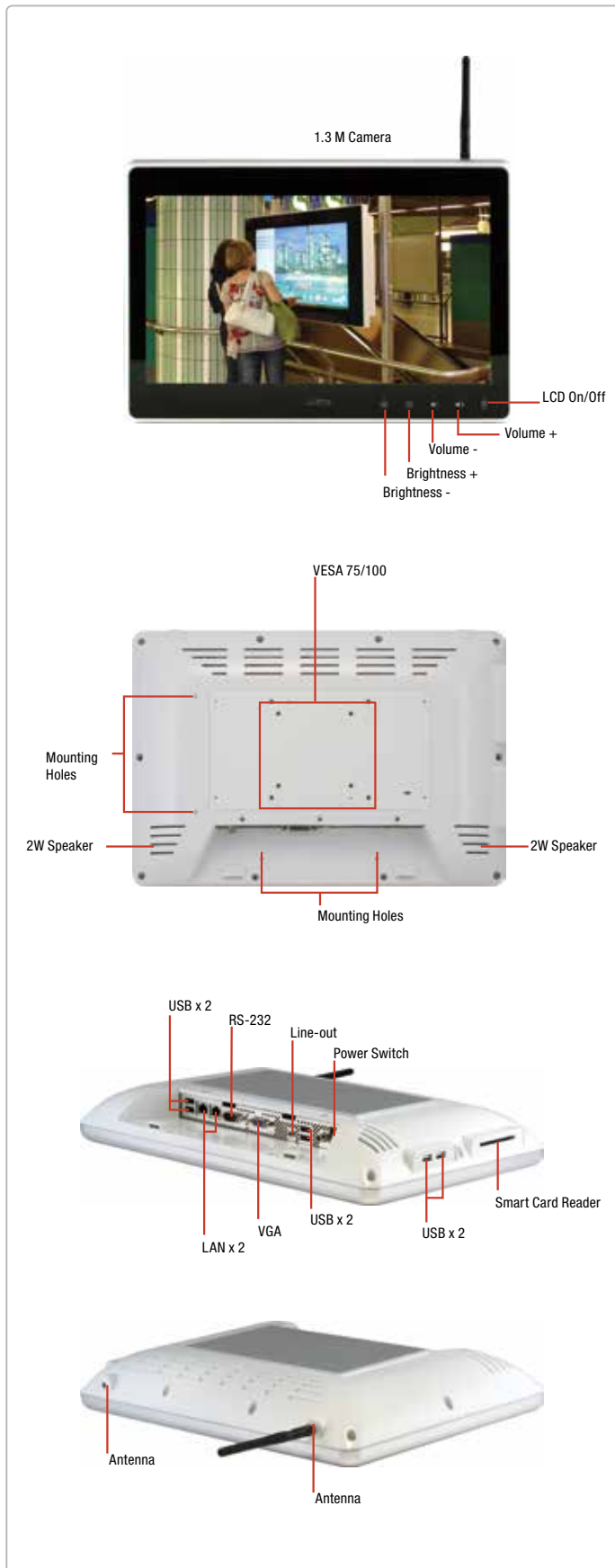


ACP-5153

15.6" Fanless Multi-Touch Panel PC with Intel® Atom™ D2550 Processor, 2GB RAM



Features

- 15.6" (1366 x 768) Color TFT LCD Display
- Intel® Atom™ D2550 Processor
- Wide Screen With Projected Capacitive Multi-Touch
- Anti-Scratch Surface: 7H Surface
- IP65 Compliance Front Bezel
- Fanless System
- VESA 75/100



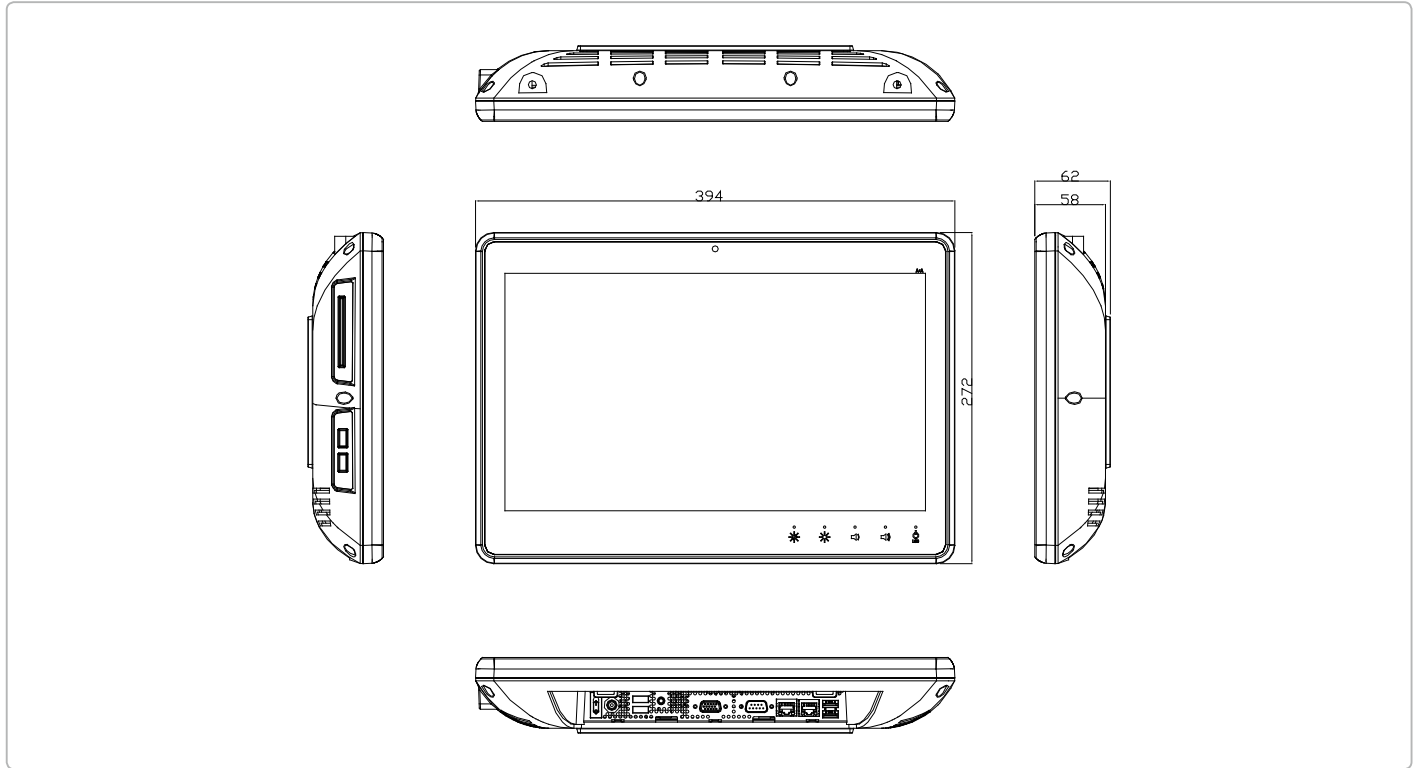
Specifications

System	
Processor	Intel® Atom™ D2550 processor, 1.86 GHz
System Memory	DDR3 SODIMM up to 4GB (default is 2G inside)
LCD/CRT controller	Intel® NM10
Ethernet	10/100/1000Base-TX, RJ-45 x 2
I/O Port	RS-232 x 1, USB 2.0 x 2, Line-out x 1, VGA out x 1, RJ-45 x 2, Lockable Power Input Connector, Power switch x 1
Storage Disk Drive	2.5" SATA Hard Disk Driver/ Cfast (Internal)
Expansion Slot	Mini PCIe card x 1
OS support	Window® XP, Window® 7, Linux Kernal 2.6.3 or above
Mechanical	
Construction	IP65 / NEMA 4 For Plastic Front Bezel, IPX1 For Plastic Chassis
Mounting	VESA 75/100, Wallmount
Dimension	15.5" x 10.7" x 2.44" (394mm x 272mm x 62mm)
Carton Dimension	20.47" x 18.5" x 9.06" (520mm x 470mm x 230mm)
Gross Weight	12.1 lb (5.5Kg)
Environmental	
Operating Temperature	32°F ~ 104°F (0°C ~ 40°C) w/o airflow
Storage Temperature	-4°F ~ 158°F (-20°C ~ 70°C)
Storage Humidity	10%~90% @40°C; non-condensing
Vibration	1g rms / 5~ 500Hz / operation – With HDD
Shock	20 G peak acceleration (11 msec. duration) – With HDD
EMC	CE/FCC Class A
Power Supply	
DC input	DC12V , With Power Adapter w/ Lock (In Package)
LCD	
Display type	15.6" TFT-LCD, LED
Max Resolution	1366 x 768
Max. Colors	16.7M colors (6/8-bit for R,G,B)
Luminance	300 cd/m ²
Viewing Angle	170°(H), 160°(V)
Back Light	LED
Back Light MTBF (hours)	50,000
Touchscreen	
Type	Projected Capacitive Touch (two points)
Light Transmission	90%

ACP-5153

Dimension

Unit: mm



Ordering Information

Part Number	Display Type	Max Resolution	Luminance	Backlight MTBF	CPU	LAN	USB 2.0	RS-232	RS-232/422/485	Storage	RAM	Display	Expansion	Mounting	Power	Temp.	Touch
ACP-5153HTT-A1-1010	15" TFT-LCD	1366 x 768	300 cd/m ²	50,000	Atom™ D2550, 1.86GHz	2	6	1	1	CFast x 1 2.5" SATA HDD x 1	2GB RAM	VGA x 1	Mini Card x 1	VESA 75/100	DC 12V	0°C ~ 40°C (w/o airflow)	Projective Capacitive Touch (Two Points)

Packing List

- HDD Screws
- VESA Screws
- Power Adapter
- Product DVD
- ACP-5153

Optional Accessories

- **1702031802**
Power Cord (US Type)
- **1702031803**
Power Cord (European Type)
- **170203180E**
Power Cord (Japanese Type)
- **9761518200**
Smart Card Reader
- **9761518201**
Camera
- **9761518206**
MSR + Mounting Kit
- **9761518205**
Scanner (2D) + Mounting Kit
- **P005212000**
Plastic Cover for Cables
- **ARM-WK075-0**
Wallmount Kit
- **9761215303**
Wireless Module (b/g/n)
- **9761518209**
RFID Module (13.56MHz)
- **PER-M20**
Desktop Stand w/VESA 75/100

If you want to install more than 2 optional accessories, you have to disable one USB port. Please check with your representative if needed.