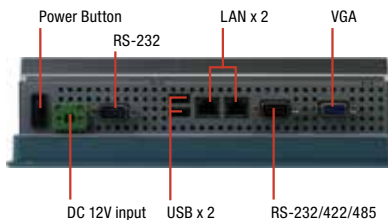


AHP-1083

8.4" SVGA HMI Touch Panel Computer With Onboard Intel® Atom™ D2550 1.86GHz Processor, 2GB RAM



Features

- Intel® Atom™ D2550 1.86GHz Onboard
- 8.4" 450 Nits SVGA LED Backlight
- Fanless Operation
- IP65 Front Bezel



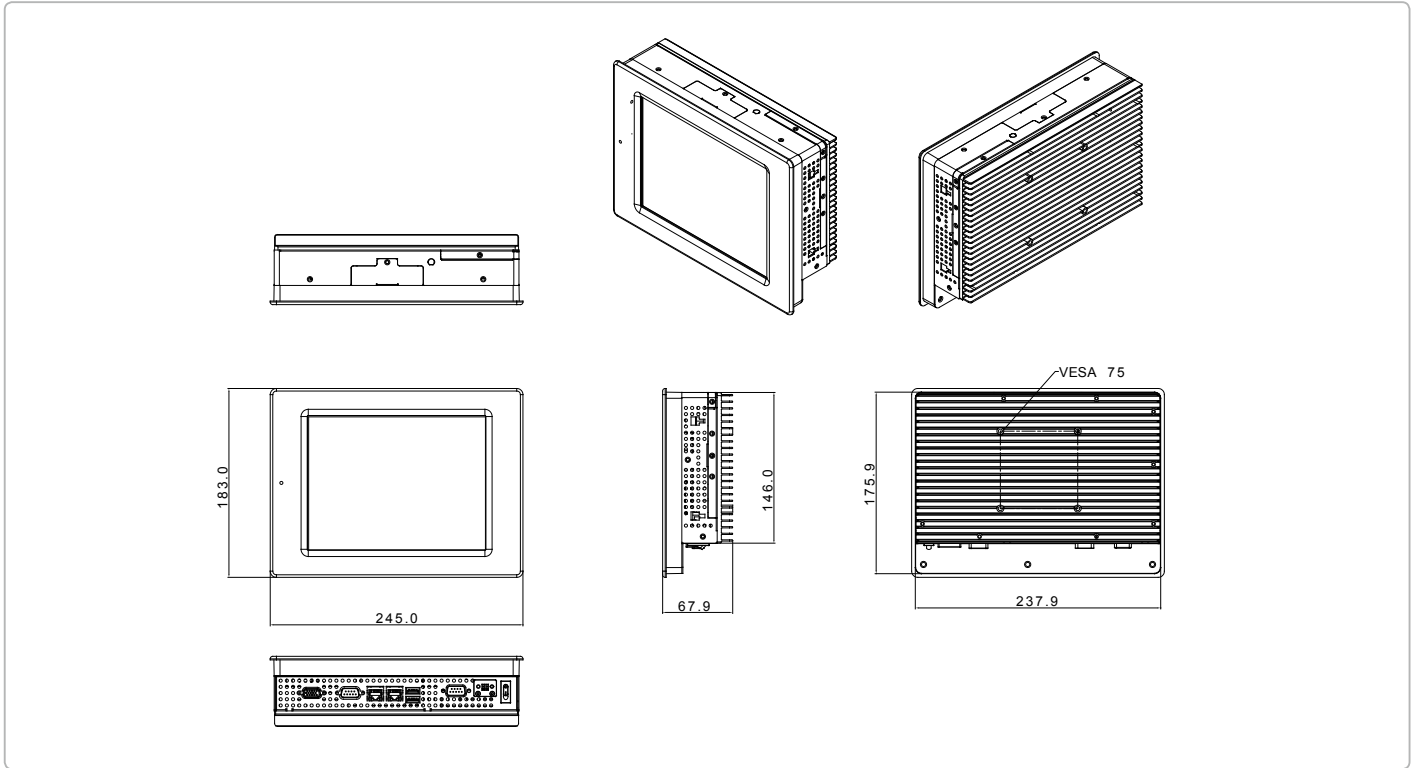
Specifications

System	
Processor	Intel® Atom™ D2550, 1.86GHz
System Memory	204-Pin DDR3 800/1066MHz SODIMM x 1, up to 4GB, Default is 2GB inside
LCD/CRT Controller	Intel® NM10
Ethernet	10/100/1000Base-TX, RJ-45 x 2
I/O Port	USB2.0 x 2, RS-232 x 1, RS-232/422/485 x 1, LAN x 2, VGA x 1
Storage Disk Drive	2.5" SATA Hard Disk Drive /CFast™ Slot (Internal)
Expansion Slot	Mini Card x 1
OS support	WinCE 6.0, Windows® XP Embedded, Windows® XP, Windows® 7 32-bit, Windows® Embedded Standard 7 32-bit, Linux Fedora
Mechanical	
Construction	IP65 certified Plastic front panel, Aluminum back panel
Color	Front Panel: Gray, Back panel: Light Gray
Mounting	VESA 75/ Panel
Dimension	9.65" x 7.2" x 1.97" (245mm x 183mm x 50mm)
Gross Weight	4.4 lb (2 Kg)
Net Weight	3.3 lb (1.5 Kg)
Environmental	
Operating Temperature	32°F ~ 122°F (0°C ~ 50°C)
Storage Temperature	-4°F ~ 158°F (-20°C ~ 70°C)
Storage Humidity	5%~90% @40°C, non-condensing
Vibration	1 g rms/ 5~ 500Hz/ operation – With HDD
Shock	20 G peak acceleration (11 msec. duration)
EMC	CE/FCC class A
Power Supply	
DC input	DC 12V w/ 2-pin terminal block
LCD	
Display Type	8.4" TFT-LCD
Max Resolution	800 x 600
Max. Colors	262K
Luminance	450 cd/m²
Viewing Angle	160°(H), 140°(V)
Back Light	LED
Back Light MTBF (hours)	50,000
Touchscreen	
Type	5-wire, Analog Resistive
Resolution	2048 x 2048
Light Transmission	>80%
Life time	35 Million activations

AHP-1083

Dimension

Unit: mm



Ordering Information

Part Number	Display Type	Max Resolution	Luminance	View Angle	Backlight MTBF (Hours)	CPU	LAN	USB	RS-232	RS-485/422/232	Storage	RAM	Display	Expansion	Mounting	Power	Temp.	Touch
AHP-1083HTT-A1-1010	8.4" TFT-LCD	800 x 600	450 cd/m ²	160(H), 140(V)	50,000	Intel® Atom™ D2550, 1.86 GHz	2	2	1	1	CFast™ Kit x 1 SATA-HDD Kit x 1	2GB	VGA x 1	Mini Card x 1	VESA 75 / Panel	DC12V	0°C~50°C (w/o air)	5-wire resistive

Packing List

- Phoenix Power Connector
- Mounting Brackets and Screws
- Product CD
- AHP-1083

Optional Accessories

- **ARM-DR075-0**
DIN Rail Kit with VESA 75mm Standards
- **ARM-WK075-0**
Wallmount Kit for VESA 75/100mm Standard Screw Holes
- **1255300605**
12V.5A.60W Power adapter w/ 2-pin Terminal Block
- **1702031802**
Power Cord (US Type)
- **1702031803**
Power Cord (European Type)
- **9761215303**
Wireless Module b/g/n