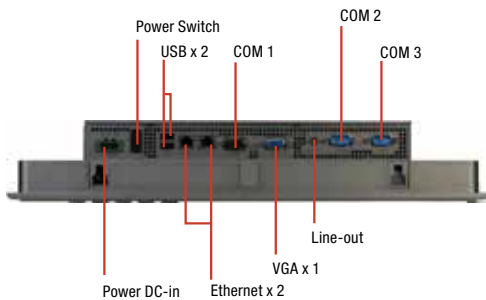


# AHP-2173

17" Rugged Fanless Touch Panel Computer with Intel® Atom™ D2550 Onboard, 2G RAM Inside



## Features

- 17" SXGA (1280 x 1024) TFT LCD Display
- Intel® Atom™ D2550 Processor, 1.86GHz
- Fanless System
- Aluminum Die Cast Front Bezel
- IP-65 Front Bezel
- Power Input Protection:
  - Over-Voltage Protection
  - Low-Voltage Protection
  - Reverse Protection



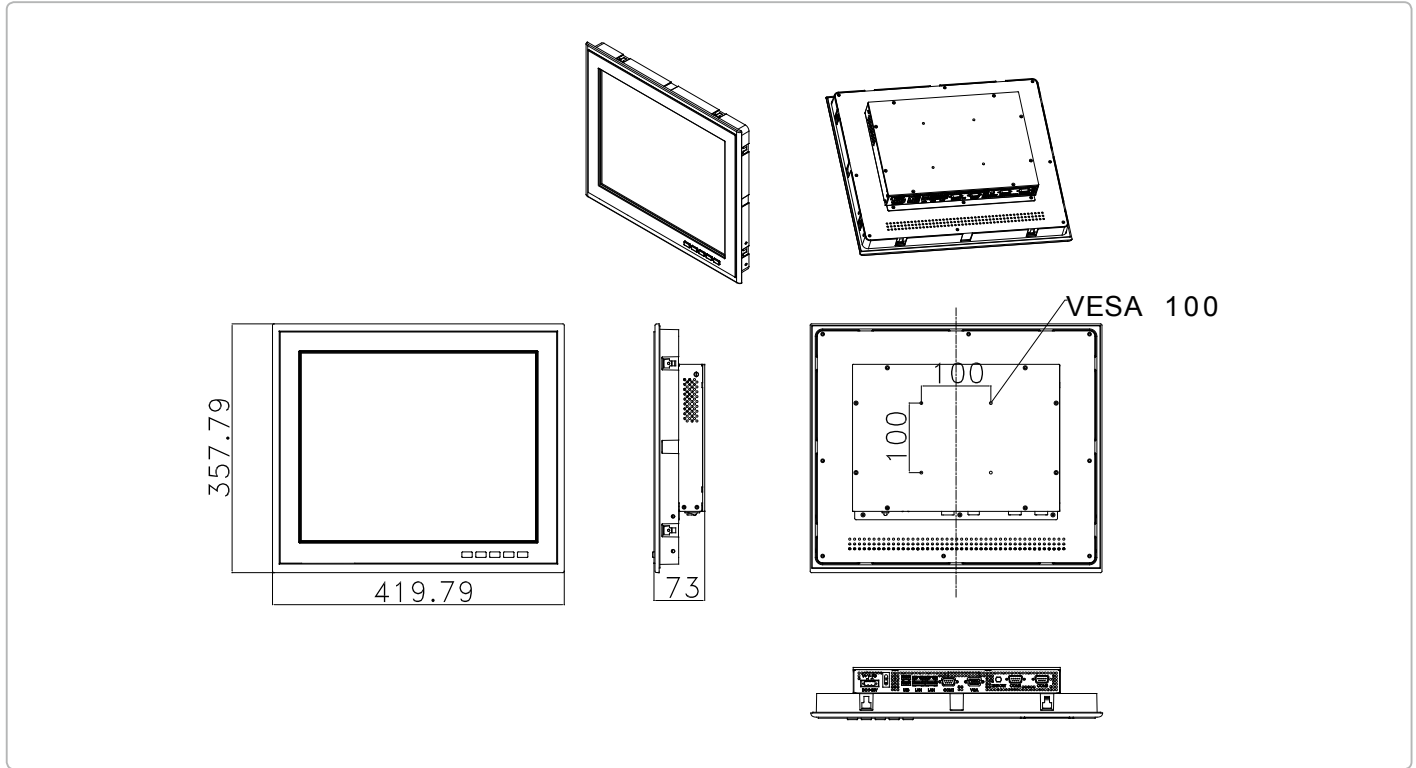
## Specifications

System	
Processor	Intel® Atom™ D2550, 1.86 GHz onboard
Memory	204 Pin DDR3 SODIMM x 2 up to 4GB (2G Inside)
LCD/CRT Controller	Integrated in NM10
Ethernet	10/100/1000Base-TX, RJ-45 x 2
I/O Port	2.5" SATA Hard Disk Driver/ CFast™ Slot (Internal)
Storage Disk Drive	RS-232 x 2, RS-232/422/485 x 1, USB 2.0 x 2, Line-out, VGA out x 1
Expansion Slot	Mini Card x 1
OS support	Window® XP 32-bit, Window® 7 32bit, Linux kernel 2.6.X or above
Mechanical	
Construction	IP-65/ NEMA4 for aluminum die Cast Front bezel & Aluminum chassis
Mounting	Panel/ Desktop/ VESA100/ Wall
Dimension	16.56"(W) x 14.08"(H) x 2.87"(D) (420mm x 358mm x 73mm)
Carton Dimension	26.02"(W) x 19.53"(H) x 8.11"(D) (661mm x 496mm x 206mm)
Gross Weight	18.7 lb (8.5 kg)
Net Weight	13.2 lb (6 kg)
Environmental	
Operating Temperature	-10°C ~ 60°C (-4°F ~ 140°F) w/Airflow -10°C ~ 55°C (-4°F ~ 131°F) w/o Airflow
Storage Temperature	-20°C ~ 70°C (-20°F ~ 158°F)
Storage Humidity	10%~95% @40°C; non-condensing
Vibration	—
Shock	—
EMC	—
Power Supply	
DC input	9~30V DC input, w/3-pin terminal block
LCD	
Display type	17" TFT-LCD
Max Resolution	1280 x 1024
Max. Colors	16.7M colors
Luminance	350 cd/m <sup>2</sup>
Viewing Angle	170°(H), 160°(V)
Back Light	LED
Back Light MTBF (Hours)	50,000
Touchscreen	
Type	5-wire resistive
Light Transmission	80%
Life time	35 Million activations

# AHP-2173

## Dimension

Unit: mm



## Ordering Information

Part Number	Display Type	Max Resolution	Luminance	View Angle	Backlight MTBF (Hours)	CPU	LAN	USB	RS-232	RS-485/422/232	Storage	RAM	Display	Expansion	Mounting	Power	Temp.	Touch
AHP-2173HTT-A1-1010	17" TFT-LCD	1280 x 1024	350	170, 160	—	Intel® Atom™ D2550, 1.86GHz	2	2	2	1	CFast™ (Internal) 2.5" HDD	2G	VGA x 1	Mini Card x 1	VESA 75/100/Wall/Panel/Stand	DC 9~30V	(-4°F ~ 140°F) -10°C ~ 60°C w/Airflow (-4°F ~ 131°F) -10°C ~ 55°C w/o Airflow	5-wire Resistive

## Packing List

- Phoenix Power Connector
- Mounting Brackets and Screws
- Product DVD
- AHP-2173

## Optional Accessories

- **1702031802**  
Power Cord (US Type)
- **1702031803**  
Power Cord (European Type)
- **170203180E**  
Power Cord (Japanese Type)
- **1757908401**  
12V 84W Power Adaptor w/ 3-pin terminal block
- **9761215303**  
WiFi Module b/g/n
- **ARM-WK075-0**  
Wallmount Kit