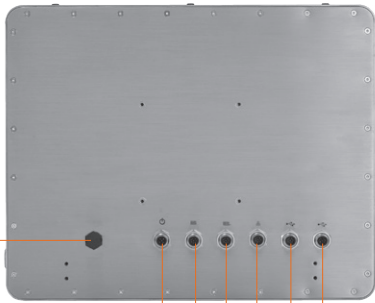


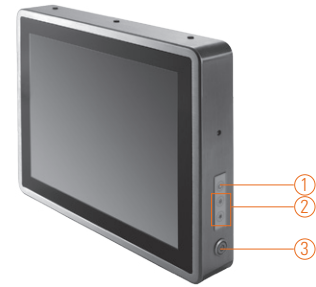
GOT815-834

15" XGA TFT IP66-rated Stainless Steel Fanless PCT (or Resistive Touch) Panel Computer with Flat Bezel Design (-20°C ~ +55°C)

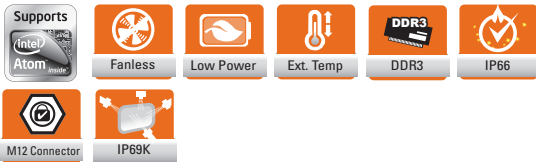
NEW



1. Backlight switch
2. Brightness adjust
3. Power switch (ATX)
4. DC power connector (A-coded)
5. COM 1 (RS-232/422/485) (A-coded)
6. COM 2 (RS-232/422/485) (A-coded)
7. Ethernet (X-coded)
8. USB 2.0 x 2 (A-coded)
9. USB 2.0 x 2 (A-coded)



▲ Side view



Introduction

The 15-inch GOT815 is specially designed for food processing applications. Its IP66-rating stainless steel housing protects entire system from damage of water, powder and dust. It also outfits wide operating temperature range of -20°C ~ +55°C. Thus, this robust unit is best suited for extreme humidity, dusty or wet spaces in food factories or kitchens and more harsh applications.

IP66-sealed system

The GOT815 adopts a water/dust-proof housing design and five IP66-rated connectors. It passes entire system IP66 test by SGS and verified salt mist test.

Full IP66 and IP69K compliance

Full IP66 rating, M12 I/O connectors and IP69K compliance that ensures the product's ability to resist ingress of high temperature and high pressure water and was tested by a spray nozzle with high temperature water (80°C) and a flow rate of 14–16 L/min and a nozzle hold with distance 10–15cm away from the device at angles of 0°, 30°, 60° and 90° for 30 seconds, GOT815 is qualified to meet harsh environment applications.

Wide temp. (-20°C ~ +55°C) & anti-vibration (2G) design

The industrial touch panel PC supports wide temperature of -20°C ~ +55°C. Besides, the patent of anti-vibration for SSD ensures system reliability and stability.

Features

- 15" XGA TFT LCD flat bezel-projected capacitive (or resistive) touch
- Water/dust/corrosion-proof design IP66/IP69K (NEMA4X)
- Full stainless steel enclosure with type 316
- Wide operating temperature range of -20°C ~ +55°C
- Fanless system with Intel® Atom™ processor E3827 1.75 GHz
- Wireless network connectivity
- Flexible and expandable with variety of M12 type I/O connections
- Wide range DC 9~36V
- Supports suspension and VESA mount
- M12 type connectors for harsh environments

Specifications

Enclosure	Stainless type 316	
LCD Panel	Display Type	15" XGA TFT LCD
	Brightness (cd/m ²)	420 nits
	Resolution	1024 x 768
	Viewing Angle (H/V)	160°/160°
Main System	CPU	Intel® Atom™ processor E3827 1.75 GHz (Bay Trail)
	System Memory	1 x 204-pin DDR3L SO-DIMM max. up to 8 GB
BIOS	AMI with Axiomtek standard features; such as, SmartView, Ethernet Boot ROM (RPL & PXE), customer CMOS backup	
Storage	1 x 2.5" SSD 1 x CFast™	
Watchdog Timer	255 levels, 1~255 sec.	
Onboard Graphics	Integrated in Intel® GFX	

Specifications

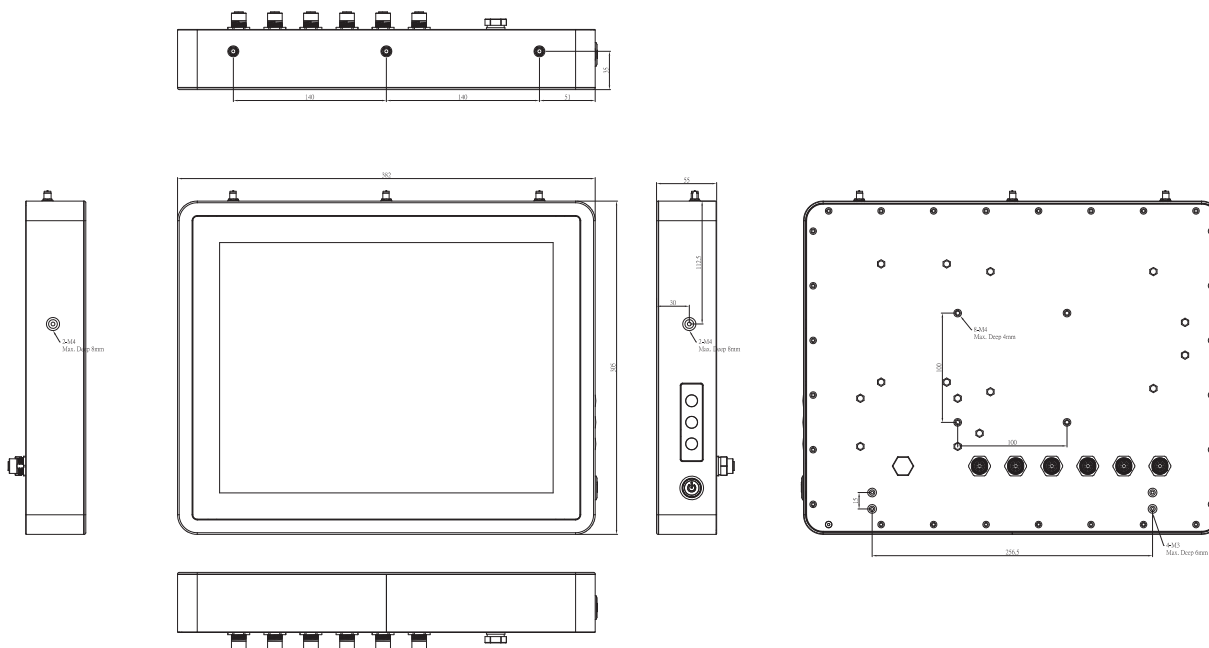
I/O Connector	2 x RS-232/422/485 (default RS-232, A-Coded) 4 x USB 2.0 (A-Coded) 1 x 10/100/1000Mbps Ethernet (X-Coded)
Expansion Interface	2 x PCIe Mini Card slot
Touchscreen	5-wire resistive touch or projected capacitive multi-touch
Power Supply	Power input 9-36VDC
Dimensions	382 mm (15.4") (W) x 55 mm (2.17") (D) x 305 mm (12.01") (H)
Packing Dimensions	510 mm (20.07") (W) x 186 mm (7.32") (D) x 532 mm (20.94") (H)
Weight (net/gross)	5.2kg (11.46lb)/ 8.4kg (18.51lb)
Environment	Operating temperature: -20°C ~ +55°C (-4°F ~ +131°F) Storage Temperature: -30°C ~ +70°C (-22°F ~ +158°F) Relative humidity: 10% ~ 95% @ 40°C, non-condensing Operation vibration: 2G, 5 ~ 500Hz, random for 2.5" SSD 2G, 5 ~ 500Hz, random for CompactFlash™
Certificate	CE

* W.T.: Wide Temperature. All W.T. supported products have to be sorted by Axiomtek.

Optional Accessories

594B8122100E	Water-proof COM port cable (1.8 m)
594B8122820E	Water-proof USB cable (1.8 m)
594B8152710E	Water-proof LAN cable (1.8 m)
50964A23000E	72W/24V power adapter with M12 connector

Dimensions



Ordering Information

Sunlight readable type	
GOT815-834-C	Flat-bezel design 15" XGA IP66-rated stainless steel fanless projected capacitive touch panel computer with Intel® Atom™ E3827
GOT815-834-R	Flat-bezel design 15" XGA IP66-rated stainless steel fanless resistive touch panel computer with Intel® Atom™ E3827

* Specification and certifications are based on options and may vary.

Optional EOS Installation

WES 7
WE8S

Optional OS Installation

Windows® 7
Windows® 8/8.1

