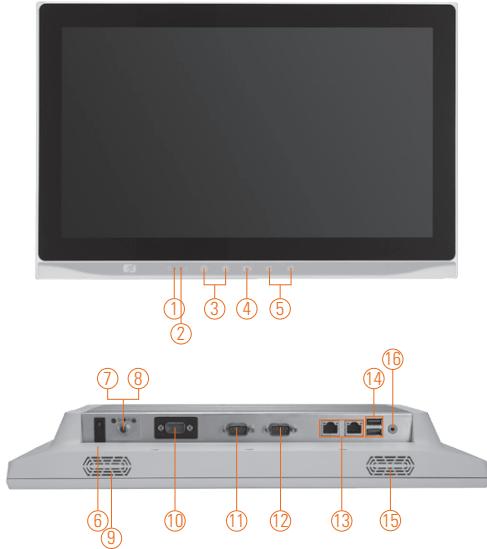


# MPC153-834

15.6" WXGA TFT Medical Grade Fanless Touch Panel Computer with Intel® Celeron® Processor J1900 (up to 2.42 GHz)

Preliminary



- |                       |                                    |                      |
|-----------------------|------------------------------------|----------------------|
| 1. Power LED          | 7. Power input connector (Screw)   | 13. Ethernet x 2     |
| 2. HDD LED            | 8. Power input connector (Phoenix) | 14. USB 3.0 x 2      |
| 3. Brightness adjust  | 9. Speaker                         | 15. Speaker          |
| 4. Display on/off     | 10. Isolated COM 3                 | 16. Audio (Line-out) |
| 5. Volume adjust      | 11. COM 1(RS-232/422/485)          |                      |
| 6. Power switch (ATX) | 12. COM 2(RS-232/422/485)          |                      |

## Features

- 15.6" WXGA TFT LCD display with LED backlight
- 15.6" projected capacitive touch or 5-wire flat resistive touch for optional
- Fanless design with Intel® Celeron® processor J1900 4 cores (up to 2.42 GHz)
- EN 60601-1/CE/FCC class B certified
- Supports half-slim SSD & CFast™ or mSATA
- Supports antimicrobial plastic enclosure
- IP65 front bezel & IPX1 full enclosure
- Supports optional VESA arm/desktop stand/wall mount
- Supports optional smart card reader



Smart card reader cover

▲ Rear view

CFast™ cover



▲ Side view



## Introduction

The MPC153-834 is a 15.6" Intel® Celeron® based medical grade fanless touch panel computer. In response to market demand, this medical touch panel computer is a cost effective solution. It adopts a modern, sleek and fanless design and is equipped with a 15.6" TFT LCD as well as Intel® Celeron® processor J1900 4 cores up to 2.42 GHz (Bay Trail). For wireless network connection, the MPC153-834 offers 2 mini card slots. By just plugging in a mini card WLAN card, customers can have instant access to wireless LAN/GPRS/GSM/4G environments. Besides, it provides two types of power input. One is DC power input (9-36VDC) with terminal block connector, and the other is AC medical power adapter with screw type connector.

### Slim & light design

The 15.6-inch medical panel PC is slim and light weight which makes it fit for limited space installation.

### Built-in internal WLAN antenna

The MPC153-834 provides 2 mini card slots and a built-in WLAN antenna for wireless network connections. By simply plugging in the wireless LAN card, customers can use the medical computer in wireless LAN/GPRS/GPS/4G environment.

### Support front membrane keys

The MPC153-834 provides 5 membrane keys in front of system, people can adjust the system display, volume and brightness.

### Certifications

This 15.6-inch fanless medical panel platform complies with EN60601-1, CE, FCC Class B certifications to ensure medical operation safety.

## Specifications

Front Bezel	IP65 front bezel	
LCD Panel	Display Type	15.6" WXGA TFT LCD display with LED backlight
	Brightness (cd/m <sup>2</sup> )	300 nits
	Resolution	1366 x 768
Main System	CPU	Intel® Celeron® processor J1900 4 cores (up to 2.42 GHz)
	System Memory	1 x 204-pin DDR3L-1066/1333 SO-DIMM max. up to 8 GB
	BIOS	AMI UEFI BIOS
	Storage	1 x Half-Slim SSD 1 x CFast™ or mSATA
	Watchdog Timer	255 levels, 0-255 sec.
	Onboard Graphics	Integrated Intel® GFX

\* All specifications and photos are subject to change without notice.



## Specifications

I/O Connector	2 x RS-232/422/485 1 x RS-232 (COM3 w/ isolated 4KV) 2 x 10/100/1000Mbps Ethernet (Intel® i210IT) 2 x USB 3.0 1 x Audio (Line-out)
Expansion Interface	1 x Full-size mini PCI express Card with mSATA supported 1 x Full-size mini PCI express Card with SIM slot
Touchscreen	Projected capacitive multi-touch or 5-wire flat resistive touch
Power Supply	1. AC version: medical grade 100-240V AC-DC 60W power adapter 2. DC version: 9-36VDC with terminal block
Dimensions	394.2 mm (15.53") (W) x 57 mm (2.25") (D) x 257.2 mm (10.13") (H)
Packing Dimensions	510 mm (20.09") x 190 mm (7.48") x 540 mm (21.26")
Weight (net/gross)	3.0 kg (6.61 lb)/4.5 kg (9.92 lb)
Environment	Operating temperature: 0°C ~ +40°C (32°F ~ +104°F, w/RAM thermal kit) Storage temperature: 0°C ~ +40°C (32°F ~ +104°F) Relative humidity: 20% ~ 90% @ 40°C; non-condensing Operation vibration: 2 G, 10 ~ 500Hz, random for CFast™
Certificate	CE, FCC class B, EN606011-1

\* W.T.: Wide Temperature. All W.T. supported products have to be sorted by Axiomtek.

\* The DC power source to be used with MPC153-834 must be galvanically isolated according to IEC60601-1 safety of medical devices!

## Ordering Information

MPC153-834-PCT-J	15.6" TFT WXGA fanless medical grade panel computer with Intel® Celeron® processor J1900, projected capacitive multi-touch and medical adapter. AC power input, EMI class B
MPC153-834-FR-J	15.6" TFT WXGA fanless medical grade panel computer with Intel® Celeron® processor J1900, 5-wire flat resistive touch and medical adapter. AC power input, EMI class B
MPC153-834-PCT-DC	15.6" TFT WXGA fanless medical grade panel computer with Intel® Celeron® processor J1900, projected capacitive multi-touch and terminal block connector
MPC153-834-FR-DC	15.6" TFT WXGA fanless medical grade panel computer with Intel® Celeron® processor J1900, 5-wire flat resistive touch and terminal block connector

## Optional EOS Installation

WES7

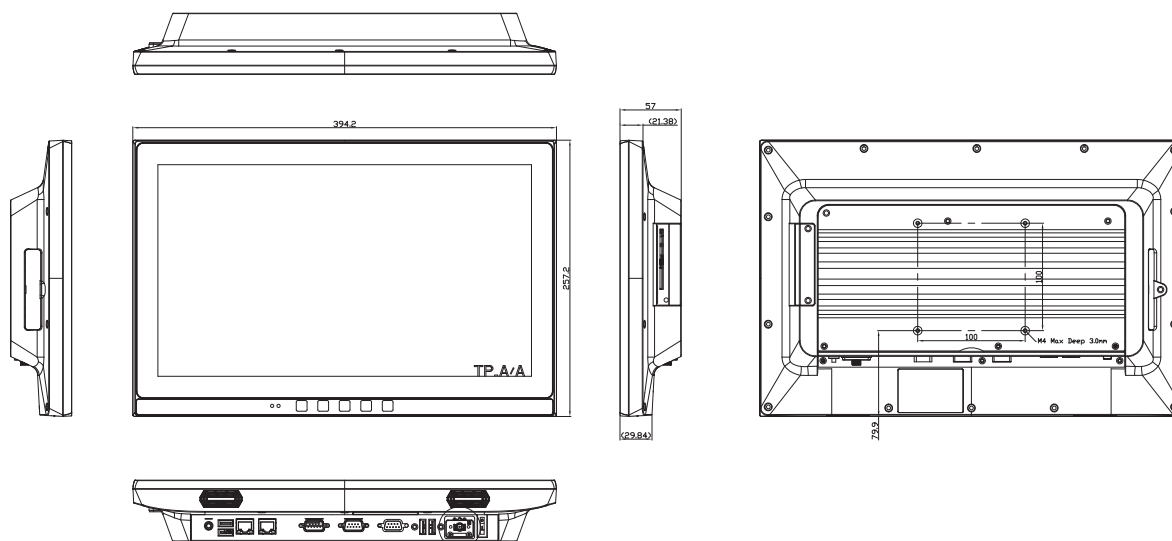
WES8

## Optional OS Installation

Windows® 7

Windows® 8.1

## Dimensions



Phoenix plug For DC version



DIN-jack For AC version

