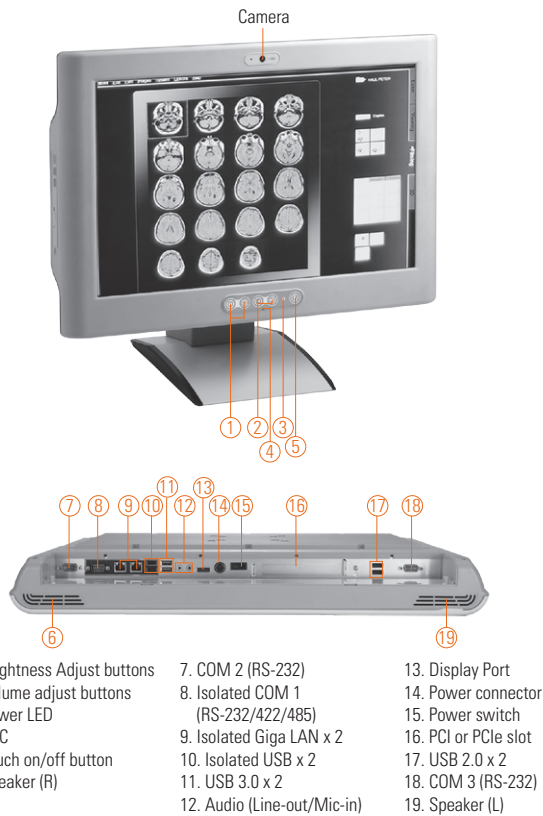


# MPC225-873

22" TFT Fanless Medical Grade Panel Computer with Intel® Core™ i7/ i5/ i3 Processor



- |                              |                                    |                      |
|------------------------------|------------------------------------|----------------------|
| 1. Brightness Adjust buttons | 7. COM 2 (RS-232)                  | 13. Display Port     |
| 2. Volume adjust buttons     | 8. Isolated COM 1 (RS-232/422/485) | 14. Power connector  |
| 3. Power LED                 | 9. Isolated Giga LAN x 2           | 15. Power switch     |
| 4. MIC                       | 10. Isolated USB x 2               | 16. PCI or PCIe slot |
| 5. Touch on/off button       | 11. USB 3.0 x 2                    | 17. USB 2.0 x 2      |
| 6. Speaker (R)               | 12. Audio (Line-out/Mic-in)        | 18. COM 3 (RS-232)   |
|                              |                                    | 19. Speaker (L)      |



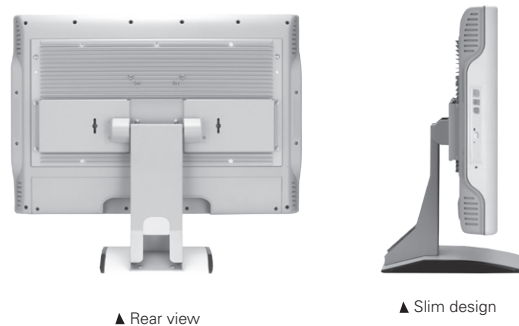
## Introduction

The MPC225-873 is a 22-inch slim TFT fanless medical grade panel computer, which is well-suited for applications like medical image processing and medical measuring instrument. Especially designed for the medical environment, it adopts IPX1 waterproof design which protects the entire system from outside liquid, preventing system from crashing. The Isolated COM/USB/LAN port design provides electric leakage protection in medical environment. Powered by socket G2 3rd Generation Intel® Core™ i processor and PCI expansion slot, the MPC225-873 is definitely the best choice for your medical computing platform.

This platform complies with UL60601-1/EN60601-1, CE, FCC Class B certifications to ensure medical operation safety. It is outfitted with 22-inch wide view angle WSXGA TFT LCD display. Additionally, the MPC225-873 offers flexible CPU selection with socket type which reduces cost, increases convenience over onboard CPU, and still maintains a fanless operation as well as long product life cycle. For expansion capability, the unit supports one PCI or PCIe x4 slot and two mini card slots for video capture card, data acquisition card, WiFi, mSATA and more. The built-in 5 mega pixels camera, microphone and stereo speakers allow medical professionals to execute remote operation. Bluetooth is an available option for wireless connection with medical peripheral devices. Optional WiFi (802.11 b/g/n) allows wireless real-time connection of patient record for assessment. To improve patient treatment accuracy, the optional RFID (radio frequency identification) offers an efficient way to validate patient identification and give proper treatment.

## Features

- 22" (250 nits) WSXGA TFT LCD
- Socket G2 (rPGA988B) 3rd Generation Intel® Core™ i7/ i5/ i3/ Celeron® processors (Ivy Bridge)
- Intel® QM77 PCH
- Isolated COM, USB and Ethernet ports
- USB 3.0 supported
- Water/dust-proof design (front bezel: IP65, full enclosure: IPX1)
- 1 PCI or PCIe x4 expansion slot and 2 PCIe Mini Card slots
- Optional Bluetooth/WiFi (802.11 b/g/n)
- Built-in 5 mega pixels camera
- Touch screen on/off key for clean usage
- UL60601-1/EN60601-1, CE & FCC class B certified



## Specifications

Front Bezel	Plastic ABS	
LCD Panel	Display Type	22" WSXGA TFT
	Brightness (cd/m <sup>2</sup> )	250 nits
	Resolution	1680 x 1050
	Viewing Angle (H/V)	178°/178°
Main System	CPU	Socket rPGA988B 3rd Generation Intel® Core™ i7/ i5/ i3/ Celeron® processors (Ivy Bridge), TDP up to 35W
	Chipset	Intel® QM77 PCH
	System Memory	2 x 204-pin DDR3 SO-DIMM max. up to 16 GB
	BIOS	AMI UEFI BIOS with OA 3.0 built
	Storage	1 x 2.5" SATA HDD
		1 x mSATA SSD (optional)
	Optical Drive	1 x Super Multi drive (optional)
	Watchdog Timer	255 levels, 0-255 sec.
	Onboard Graphics	Intel® HD Graphic

## Specifications

I/O Connector	2 x RS-232 (COM 2/3) 1 x RS-232/422/485 (isolated 4KV) 2 x 10/100/1000Mbps Ethernet (isolated 4KV) 2 x USB 2.0 (isolated 4KV) 2 x USB 2.0 2 x USB 3.0 1 x Audio (Line-out) 1 x Audio (Mic-in) 1 x DisplayPort
Expansion Interface	1 x PCI or 1 x PCIe x4 slot (optional) 2 x PCIe Mini Card slot
Speaker	2 x 2W
Camera	1 x 5M pixels camera
Touchscreen	5-wire resistive type
Function Key	LCD brightness up/down, audio volume up/down, touch off/on
Power Supply	External 24VDC with AC/DC medical grade power adapter
Dimensions	573.5 mm (22.57") (W) x 75.9 mm (2.98") (D) x 398.9 mm (15.7") (H)
Packing Dimensions	730 mm (28.74") (W) x 240 mm (9.45") (D) x 650 mm (25.59") (H)
Weight (net/gross)	10.58 kg (23.32 lb)/ 15.16 kg (33.42 lb)
Environment	Operating temperature: 0°C ~ +40°C (+32°F ~ +104°F) Storage temperature: -20°C ~ +60°C (-4°F ~ +140°F) Relative humidity: 10% ~ 95%, non-condensing
Certification	CE, FCC class B, EN60601-1, UL60601-1

## Ordering Information

MPC225-873	22" TFT 3rd Gen Intel® Core™-based fanless medical grade panel computer with resistive T/S, PCIe or PCI expansion and Super Multi drive
------------	---

\* Specification and certifications are based on options and may vary.  
\*\*Super Multi drive includes DVD-R, DVD-RW and DVD-RAM.

## Optional Accessories

E202003330	VM-101 VESA ARM (clamp type)
E202003329	VM-105 VESA ARM (wall mount type)
E228170100	22" stand kit

## Optional OS Installation

Windows® XP
Windows® 7
Windows® 8
Windows® Embedded 8

Overview

Industrial Panel Computers & Monitors

Heavy-duty Fanless Touch Panel Computers

Digital Signage Solutions

Healthcare & Medical Solutions

Open Frame Panel Computers

Accessories

## Dimensions

