

# RVT0820A

PERFECTRON

Vehicle Mount Terminal with 8.4" TFT LCD and Intel® Cedarview N2600 1.60GHz, IP65, Wide Temp. -30 to 60°C



## Main Features

- Rugged aluminum enclosure and fanless design
- Full IP65 dust/water proof enclosures
- Performance by Intel® Cedarview N2600 1.60GHz
- 9V to 30V DC-in
- Wide temperature -30 to 60°C
- VESA Mounting
- Flexible expansion capability for WiFi, GPS, WCDMA/GPRS, Bluetooth

## ► Specifications

### System

CPU Type	Intel® Atom™ N2600 1.60 GHz
System Chipset	Intel® NM10
Graphic Chipset	Integrated Intel® GMA3600 VR Graphic core SGX545
Memory Type	1 x 204-pin SO-DIMM DDR3 800/1066 MHz up to 2GB
Expansion slot	1 x Mini PCIe
Ethernet	2 x RTL8111E GbE LAN
Storage	1 x CFast socket

### External I/O Ports

DVI-I	1
Ethernet	2 x RJ45
USB	1
COM	1 x RS-232/422/485 with 5V/12V selectable

### LCD Display

Size	8.4" Color TFT LCD with LED Backlight
Resolution	SVGA 800 x 600
Contrast Ratio	600:1
Brightness	450 cd/m <sup>2</sup>

### Touch

Touch Type	4-wire resistive type touch panel
------------	-----------------------------------

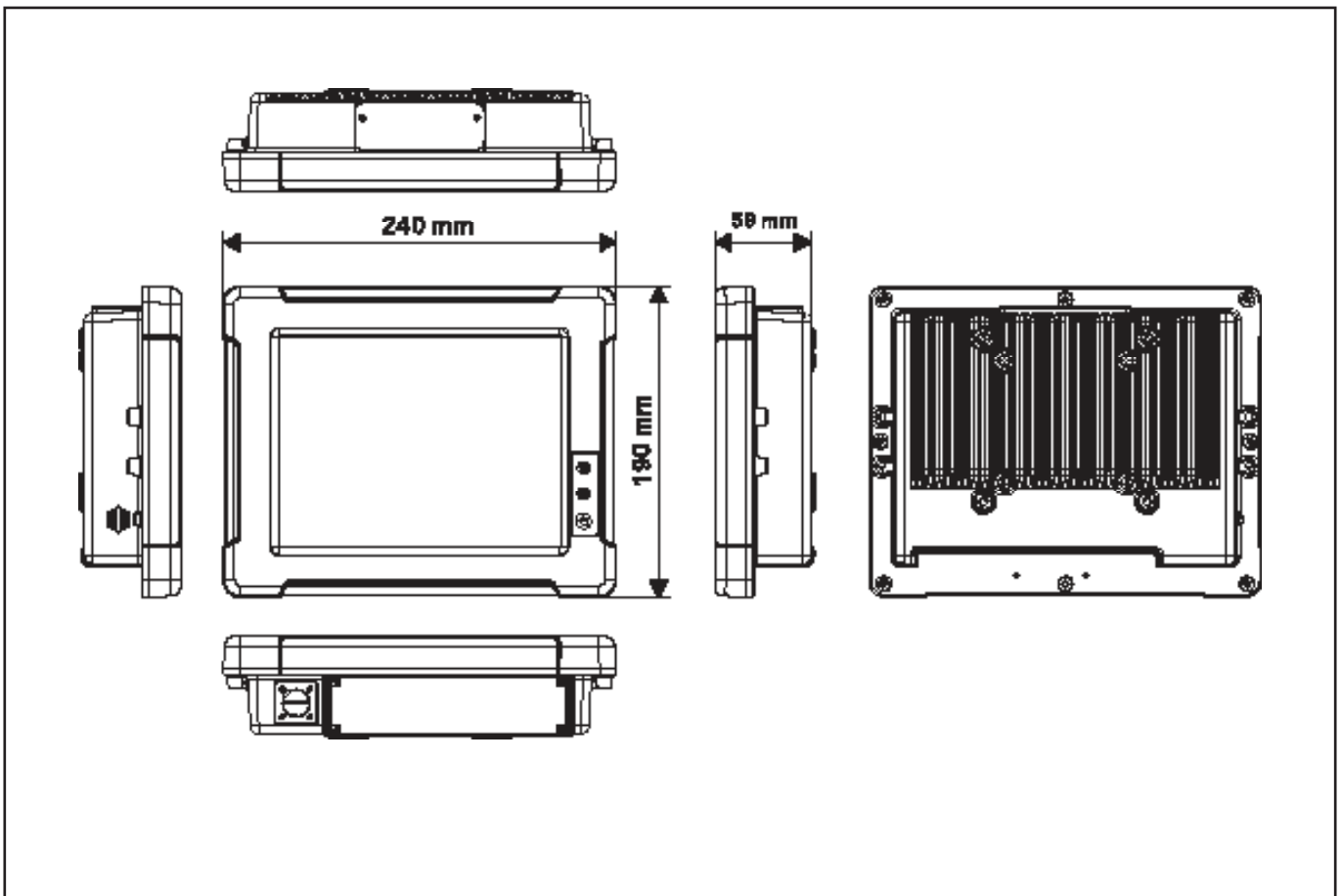
### Power

Power Input	9V to 30V DC-in
Power consumption	25W

### Environmental Specification

Operating Temp.	-30 to 60°C (ambient with air flow)
Storage Temp.	-30 to 65°C
Relative Humidity	10% to 90%, non-condensing
Dimension (W x H x D)	240 x 190 x 59 mm (9.4" x 7.4" x 2.3")
Bezel	Aluminum
Mounting	VESA Mount
Dust & Water Protection	IP65
Certifications	CE, FCC

## ► Dimensions



## ► Packing List

- RVT0820A 8.4" Vehicle Mount Terminal
- Driver CD

## ► Optional Accesories

### Item

- VESA Vehicle Mounting Kits
- Build-in Antenna Kits
- High-gain WiFi Antenna
- GPS Antenna
- DC-DC Power Adapter (9-30VDC Input, 12VDC Output)
- DC-DC Power Adapter (9-58VDC Input, 24VDC Output)
- DC-DC Power Adapter (18-68VDC Input, 24VDC Output)
- AC-DC Power Adapter (100-240VAC Input, 24VDC Output)

## ► Ordering Information

### Modules

Model Number	Description
RVT0820A	Vehicle Mount Terminal with 8.4" TFT LCD and Intel® Cedarview N2600 1.60GHz

