

# SKY-15

MIL-STD-810G RUGGED MISSION DISPLAY WITH MIL-DTL-38999 CONNECTORS



- DESIGN FOR RELIABILITY UNDER DEMANDING MIL-STD-810G THERMAL, SHOCK, VIBRATION AND HUMIDITY/EMI/EMC CONDITIONS
- HEAVY-DUTY FULLY IP65 RUGGED ALUMINUM CHASSIS WITH MIL-DTL-38999 CONNECTORS
- 1000 ~ <1.7 NITS , COMPATIBLE WITH SUN LIGHT READABLE AND NIGHT VISION GOGGLES
- 15" GLASS-FILM-GLASS TOUCH PANEL
- 20 USER PROGRAMMABLE FUNCTION KEYS
- 1 x DVI, 1 x VGA, 1 x AUDIO, 2 x USB
- MEETS MIL-STD-461, MIL-STD-1275, MIL-STD-704, MIL-STD-810 AND EN 60950-1
- EXTENDED TEMPERATURE -30 TO 70 °C

## SPECIFICATIONS

SPECIFICATIONS	
LCD Panel	15" TFT LCD
Resolution	1024x768 XGA
Aspect Ratio	4:3
Brightness	1000 nits
Max. Colors	16.7M/262k
Viewing Angle	80° (H) /70° (V)
Response Time	11ms (TYP.)
Contrast Ratio	1000 (TYP.)
Touch Panel	Glass-Film-Glass 5-Wire resistor touch panel
Function key	20 user Programmable function keys
Display Control	<ul style="list-style-type: none"> <li>• Power On/Off</li> <li>• LCD Brightness +/-</li> <li>• Function key backlight On/Off</li> <li>• Display mode Select (On/Off/Night Vision)</li> </ul>
POWER	
Power Input	>90% efficient and have high input ranges 16.5V to 50V, 107W max.
EMI Filter	Vicor MF028AMFPT (MIL-COTS Filter), Meets MIL-STD-461, MIL-STD-1275, MIL-STD-704, MIL-STD-810 and EN 60950-1.
PRM® Regulator	Vicor MP028F036M12AL (MIL-COTS Regulator), Meets MIL-STD-1275, MIL-STD-704 and EN 60950-1.
VTM® Current Multiplier	Vicor MVTM36BT030M040B00 (MIL-COTS current multipliers), Overvoltage, Overcurrent, Short Circuit and OverTemperature protection.
CONNECTORS	
DC-IN	1
X1	VGA + Audio
X2	DVI
X3	USB x 2

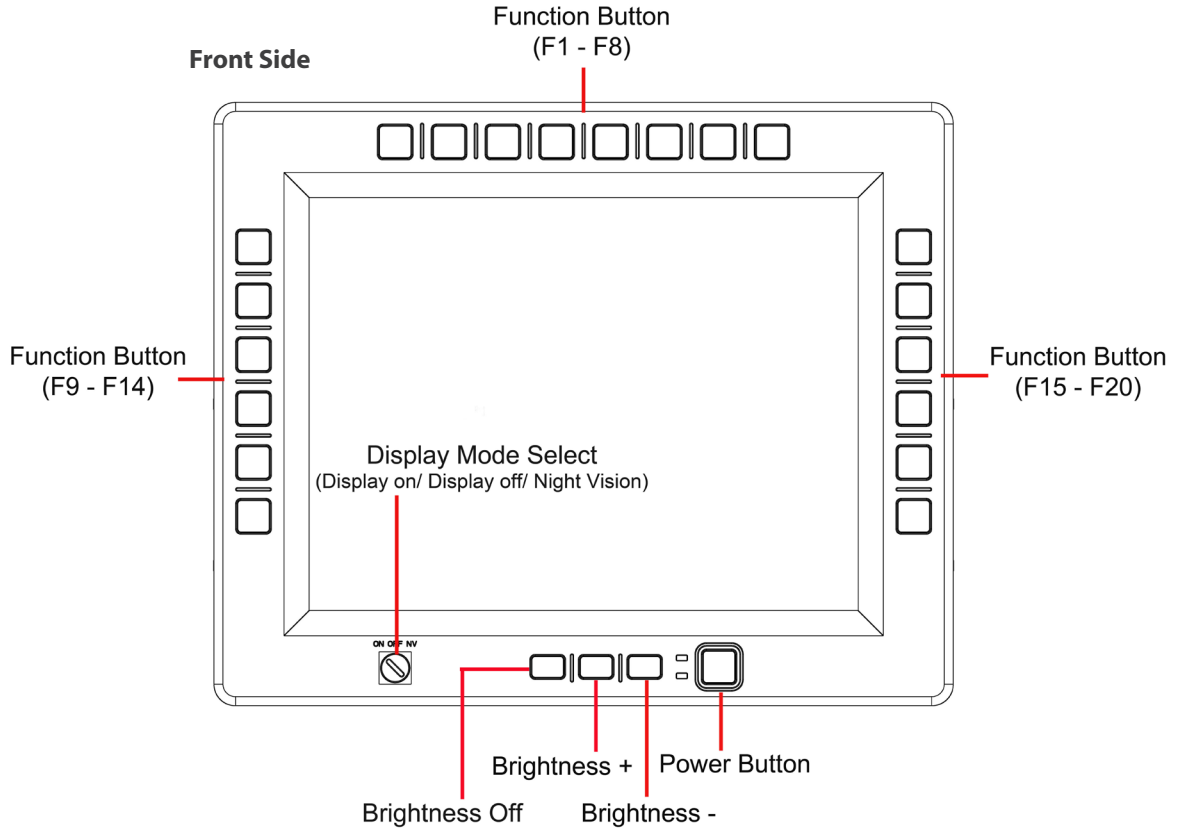
APPLICATIONS, OPERATING SYSTEM	
Applications	Commercial and Military Platforms Requiring Compliance to MIL-STD-810G Embedded Computing, Process Control, Intelligent Automation and manufacturing applications where Harsh Temperature, Shock, Vibration, Altitude, Dust and EMI Conditions. Used in all aspects of the military.
Operating System	Microsoft Windows 7 Professional 32/64Bit, Microsoft Windows 8 Professional 32/64Bit, Ubuntu13.04, Ubuntu13.10, Ubuntu14.04, Fedora 20.
PHYSICAL	
Dimension (W x D x H)	412 x 59 x 336mm
Weight	TBD
Chassis	Aluminum Alloy, Corrosion Resistant.
Finish	Anodic aluminum oxide (Color Olive green)
Connectors	DVI, VGA + Audio : Amphenol TV07RW-13-35S USB: Amphenol TV07RW-13-98S DC-IN: Amphenol TV06RW-11-54S
Ingress Protection	IP65 Dust /water Proof
ENVIRONMENTAL QUALIFICATIONS	
MIL-STD-810G Test	Method 507.5, Procedure II (Temperature & Humidity) Method 516.6 Shock-Procedure V Non-Operating (Mechanical Shock) Method 516.6 Shock-Procedure I Operating (Mechanical Shock) Method 514.6 Vibration Category 24/Non-Operating (Category 20 & 24, Vibration) Method 514.6 Vibration Category 20/Operating (Category 20 & 24, Vibration) Method 501.5, Procedure I (Storage/High Temperature) Method 501.5, Procedure II (Operation/High Temperature) Method 502.5, Procedure I (Storage/Low Temperature) Method 502.5, Procedure II (Operation/Low Temperature) Method 503.5, Procedure I (Temperature shock)
Reliability	No Moving Parts; Passive Cooling. Designed & Manufactured using ISO 9001/2000 Certified Quality Program.
EMI/EMC	CE ,FCC , MIL-STD-810G, MIL-STD-1275, MIL-SD-461E compliance
Green Product	RoHS, WEEE compliance

## ORDERING INFORMATION

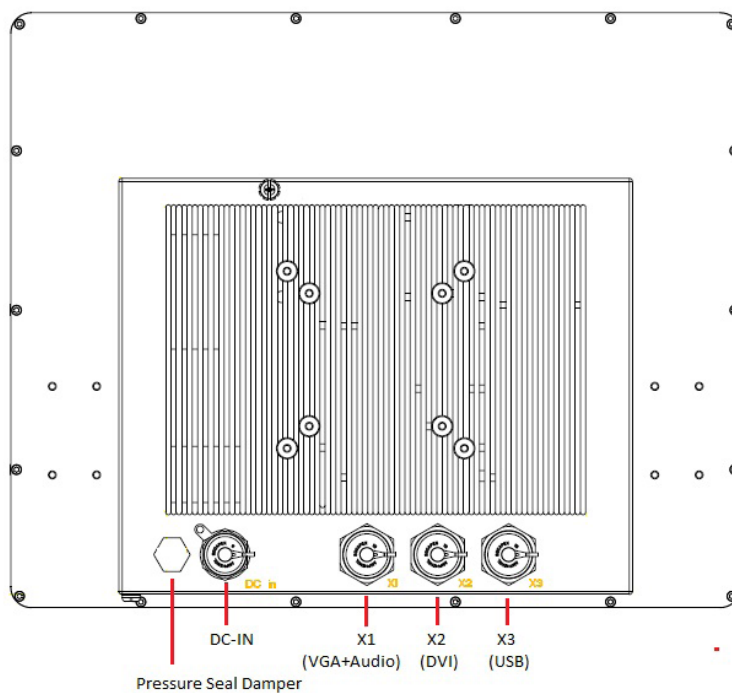
### SKY-15

**15" MILITARY GRADE LCD DISPLAY WITH RUGGED MIL-DTL-38999 CONNECTOR, NIGHT VISION SUPPORTED**

APPEARANCE



Back Side



## DIMENSIONS

