

ToriPRO

Poindus

Poindus Systems Corp.



The Remarkably Fanless POS System

www.poindus.com

ToriPRO

With cutting edge Intel processors(Core i3 3217/ Celeron J1900), ToriPRO is ready to tackle even the most demanding software. High performance, combined with a stylish, FANLESS design, ToriPRO has a unique visual appeal and commands respect.

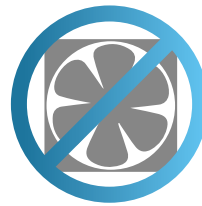
The serviceability is engineered by modularized components in two main parts: touchscreen and computing box; minimizing technician levels and labor efforts. The brushed die-cast aluminum construction and a True-Flat PCT Touchscreen to bring you a POS system ready to impress. ToriPRO is rugged enough to handle harsh conditions, yet stylish enough to merge seamlessly into your business.



Modularized Design & Flexibility



Fanless & High performing



Brushed Die-cast Aluminum



Functional Serviceability



Step: 1

Step: 2

Specification

Model Name		ToriPRO 715	ToriPRO 815
Main Board	CPU	Intel® Celeron J1900 quad-core 2.0GHz with L2 Cache 2MB	Intel® Core i3-3217U dual-core 1.8GHz with L2 Cache 3MB
	Chipset	CPU Integrated	Intel® PCH HM76
	System Memory	1 x DDR3L(1.35V) SO-DIMM up to 8GB	1 x DDR3 SO-DIMM up to 8GB
Display	TFT LCD	15" TFT LCD(LED backlight)	
	Brightness	250nits	
	Resolution	1024 x 768	
	Touch Screen	True Flat Projected Capacitive Technology	
Storage	HDD / SSD Type	1 x SATA 2.5" HDD or SSD	
I/O Ports -External	DC Power Input	1 x Mini Din 4P (DC 19V only)	
	Cash Drawer	1 x RJ-11 (12V or 24V)	
	Network (LAN)	1 x Gigabit Ethernet by RJ-45	
	USB Port	4 x USB 2.0 / 1 x USB 3.0	4 x USB 2.0 / 2 x USB 3.0
	Serial Port	3 x RS-232(RJ48 connector), COM1/COM2(5V), COM3(12V), Power enabled by BIOS setting (default disable)	
	Power ON/OFF	1 x power on/off switch button	
I/O Ports -Internal	Card Reader & iButton	Internal Pin header for Card Reader & iButton	
	Audio	HD Audio, 2W Speaker x 2	
	Bus Expansion	1 x Mini-PCI-E Slot	
Compliance	IP66 on front panel		
OS Support	Windows 7, POSready 7, Win 8 Inventor Pro Retail		
Power Supply	External power adapter 65 watts, DC19V @ 3.42A max.		
Material	Main Unit: Die-casting aluminum ; I/O Cover: Plastic(black)		
Color	Main Unit: Black		
Certifications	CE, FCC, Class-A, RoHS		
Dimension (W x H x D)	376 x 316 x 197 mm		
Weight	6.5 Kg		
Operating Temperature	0°C ~ 40°C, 10% ~ 90% RH, non-condensing		
Storage Temperature	-20°C ~ 60°C, 10% ~ 90% RH, non-condensing		

*The right has been reserved to change the specification without prior notice.

Ordering Information

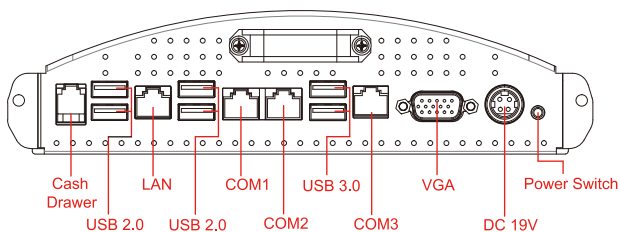
- ToriPRO 715: Fanless 15" POS System, Intel® Celeron J1900 , PCT touch
- ToriPRO 815: Fanless 15" POS System, Intel® Core i3-3217U, PCT touch

Optional Accessories

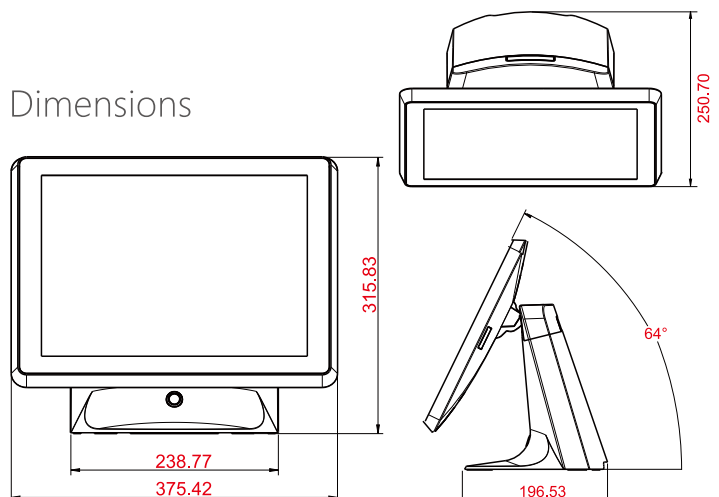
- MSR : Front, 3 Tracks (RS-232 or PS/2)
- MSR & iButton: MSR & iButton (RS-232 or PS/2)
- RFID 13.56MHz(USB)
- Fingerprint reader(USB)
- Smart card reader(USB)
- 2nd Display:
 - 2 lines x 20 chart VFD
 - 10.4" TFT LCD display, Resolution: 800 x 600

IO Interface

ToriPRO 815



Dimensions



ToriPRO



w w w . p o i n d u s . c o m

Poindus

Poindus Systems Corp.

5F., No. 59, Lane. 77, Xing-Ai Rd., Neihu Dist.,
Taipei City 114, Taiwan(R.O.C.)

Tel: +886-2-77214688 Fax: +886-2-77212289

Email: sales@poindus.com Web: www.poindus.com

