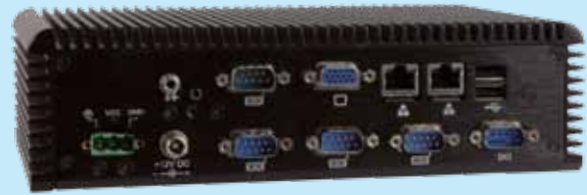


# ECW-281B/D2550

Fanless Embedded System with Intel® Atom™ Dual-core D2550 CPU



## Features

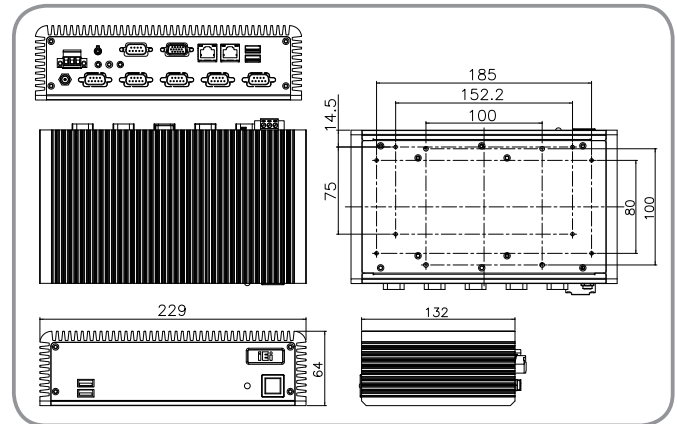
- ◆ Fanless system with Intel® Atom™ D2550 Dual core 1.86GHz CPU
- ◆ Supports 4 COM ports (3 x RS-232 , 1 x RS-422/485)
- ◆ 2 PCIe Mini slots (1 x full size , 1 x half size )
- ◆ 12V DC and 9~36V DC model available
- ◆ 2T2R 802.11 b/g/n wireless model available



## Specifications

Model Name		ECW-281B-D2550
Chassis	Color	Black
	Dimensions (WxDxH)	229 x 132 x 64 mm
	System Fan	Fanless
	Chassis Construction	Aluminum Alloy with heavy duty metal
Motherboard	Motherboard Model	WAFER-CV-D25501
	Processor	Intel® Atom™ D2550 Dual core 1.86GHz / 1MB L2 cache
	Chipset	Intel® NM10
	System Memory	2GB DDR3 204-pin SO-DIMM memory pre-installed
Storage	Hard Drive	1 x 2.5" SATA HDD Bay
I/O interfaces	USB 2.0	4
	Ethernet	2 x Realtek RTL8111E PCIe GbE controller
	RS-232	3 x DB-9
	RS-422/485	1 x DB-9
	Display	1 x VGA
	Resolution	VGA: Up to 1920 x 1200 @ 60Hz
	Audio	1 x Line-out
	Other	8-bit digital I/O (4-bit input, 4-bit output)
	Wireless	1 x 802.11b/g/n (optional)
	Expansions	1x Full size (support mSATA) 1 x Half size
Power	Power Input	DC Jack : 12V DC 3 pin terminal block: 9~ 36VDC (WD model)
	Power Consumption	12V@1.53A (Intel® Atom™ D2550 with 2GB DDR3 memory )
Reliability	Mounting	DIN-rail, VESA 100, wall mount
	Operating Temperature	-10°C~50°C with air flow (SSD), 5% ~ 95%, non-condensing
	Operating Shock	Half-sine wave shock 3G, 11ms, 3 shocks per axis
	Operating Vibration	MIL-STD-810F 514.5C-2 (SSD)
	Weight (Net/Gross)	2.1Kg / 3.9 Kg

## Dimensions (Unit: mm)



## Packing List

1 x QIG	1 x Driver & user manual CD
1 x Screw set	1 x 12V 60W power adapter (optional for WD model) (Part No. : 63000-FSP060DBAB1552-RS)
1 x DIN mount	1 x Power cord (optional for WD model)
1 x Hard drive thermal pad	1 x Wireless antenna (for wireless model)
2 x Wall mount bracket	1 x One Key Recovery CD

## Ordering Information

Part No.	Description
12V DC input	<b>ECW-281B-R10/D2550/2GB</b> Fanless embedded system with WAFER-CV-D25501, with dual core Intel® Atom™ D2550 1.86G, 4 serial ports, with 2GB DDR3 pre-installed SO-DIMM memory, 12VDC in, 60W power adapter, black, RoHS
	<b>ECW-281BW-R10/D2550/2GB</b> Fanless embedded system with WAFER-CV-D25501, with dual core Intel® Atom™ D2550 1.86G, built-in 802.11 b/g/n 2T2R wireless module, 4 serial ports, with 2GB DDR3 pre-installed SO-DIMM memory, 12VDC in, 60W power adapter, black, RoHS
9~36V DC input	<b>ECW-281BWD-R10/D2550/2GB</b> Fanless embedded system with WAFER-CV-D25501, with dual core Intel® Atom™ D2550 1.86G, 4 serial ports, with 2GB DDR3 pre-installed SO-DIMM memory, 9~36VDC in, 60W power adapter, black, RoHS
	<b>ECW-281BWDW-R10/D2550/2GB</b> Fanless embedded system with WAFER-CV-D25501, with dual core Intel® Atom™ D2550 1.86G, built-in 802.11 b/g/n 2T2R wireless module, 4 serial ports, with 2GB DDR3 pre-installed SO-DIMM memory, 9~36VDC in, 60W power adapter, black, RoHS

- 1 Industrial Computing Solutions
- 2 Video Capture Solutions
- 3 Embedded Computing Solutions
- 4 Automation Control
- 5 ORing Network Communication
- 6 Power Supply/Peripherals
- 7 Panel Solutions Introduction