

S M A R T

Wrist Temperature Measurement Device Manual

Demonstrations

Enter The Door →



Close To The Device →



Wrist Temperature Measurement →



→ Keep Wrist Distance 1-3CM

→ Face Recognition

→ Enter The Room

Video URLs: [HTTPS://WWW.YOUTUBE.COM/WATCH?V=H6QH1WD0C_M](https://www.youtube.com/watch?v=H6QH1WD0C_M)

Application Environment

■ Facial recognition wrist temperature measurement integrated machine is a high-performance, high-reliability temperature measurement access control product integrating face recognition technology and non-contact temperature measurement. The wrist temperature temperature measurement module can realize rapid body temperature detection, support face comparison and body temperature detection at the same time, and provide early warning for persons with abnormal body temperature, which can effectively ensure the safety of prevention and control. The product has the characteristics of fast temperature detection, high face recognition rate, large storage capacity, etc., supports gate installation and column installation, and can be widely used in residential areas, schools, office buildings, hospitals and other fixed personnel scenarios.

Product Features

- Using non-contact wrist temperature detection module, the measurement range is 35°C-42°C, the measurement accuracy can reach 0.1°C, the measurement error is 0.3°C, and the temperature measurement distance is 1-3cm;
- Support body temperature detection threshold configuration, through the body temperature detection threshold configuration personnel access control authority;
- Built-in deep learning chip, support local offline recognition, face (1:N) storage capacity up to 30,000; face recognition accuracy rate>99.5%;
- Support binocular living body detection function, effectively avoid deception methods such as photos and videos;
- Built-in 8G EMMC storage, stable and reliable, supports up to 25,000 offline records;
- Using LINUX operating system, the system is stable;
- Support face recognition, face comparison, mask detection, living body detection, mask recognition;
- Single-point temperature measurement to avoid interference from environmental heat sources during temperature measurement.

Features



Face Recognition

Living body
Anti-counterfeiting



Non-contact temperature
measurement

Wrist temperature
measurement from 1-3CM



Mask Detection
AI+Infrared Image



Unknown Guest



Abnormal Voice Alarm
Exceeds the normal
threshold, Voice alert



Record Traceability



Data Analysis



Access Control
Automatically open
the barrier after
detection is normal



Capacity of
30000 / Person



Visitor
Support black and
white list
Improve the
visitor experience

Authentication



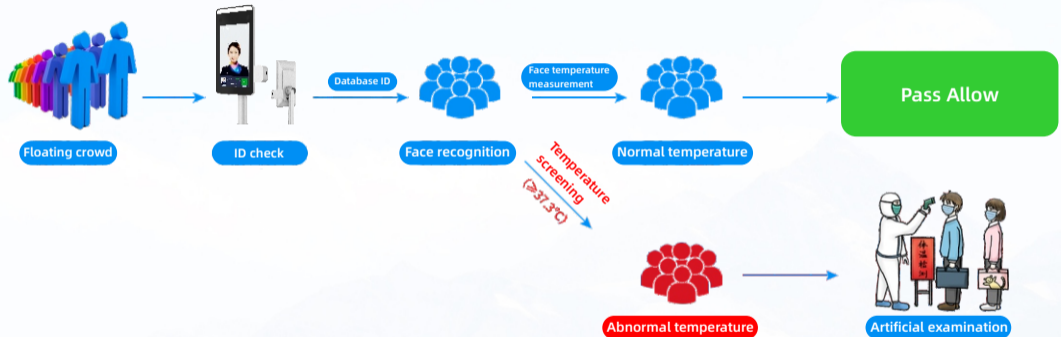
[FCC]



[CE]

Product Application

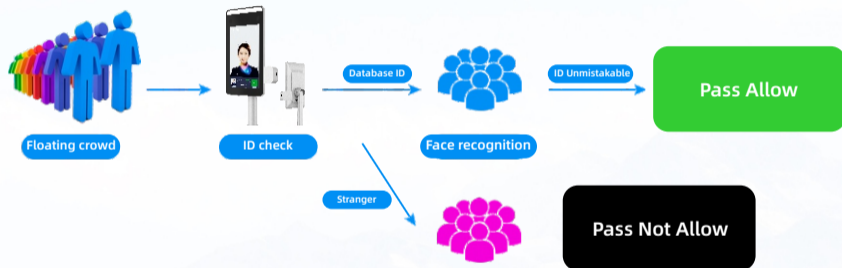
+ Temperature Measurement



Save personnel elapsed time + face recruitment + identity information + body temperature information

Product application

+ Unknown Guest



FK02GYH



Face Recognition+Wrist Temperature Measurement

Features:

- Face Recognition
- Face Comparison
- Temperature Measurement
- Wrist Temperature Measurement
- Mask Recognition
- Data Analysis
- Unknown Guest

Mode

- Face Recognition
- Temperature Measurement
- Access Control
- Attendance
- Gate
- Visitor



packaging



FK02GWH

+ Main parameters

7-inch IPS HD screen

Support 30,000 face library capacity

Full screen recognition

1-3cm wrist temperature measurement

± 0.3°C temperature measurement accuracy

Recognition speed is about 200ms

Infrared fill light, white light fill light

Local support 25,000 records

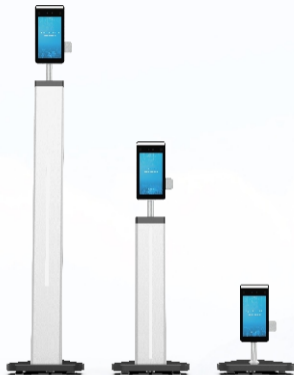
Support face recognition, face comparison

Mask detection, living body detection, mask recognition



FK02 Series

+ Installation



✓ Stand-alone Use



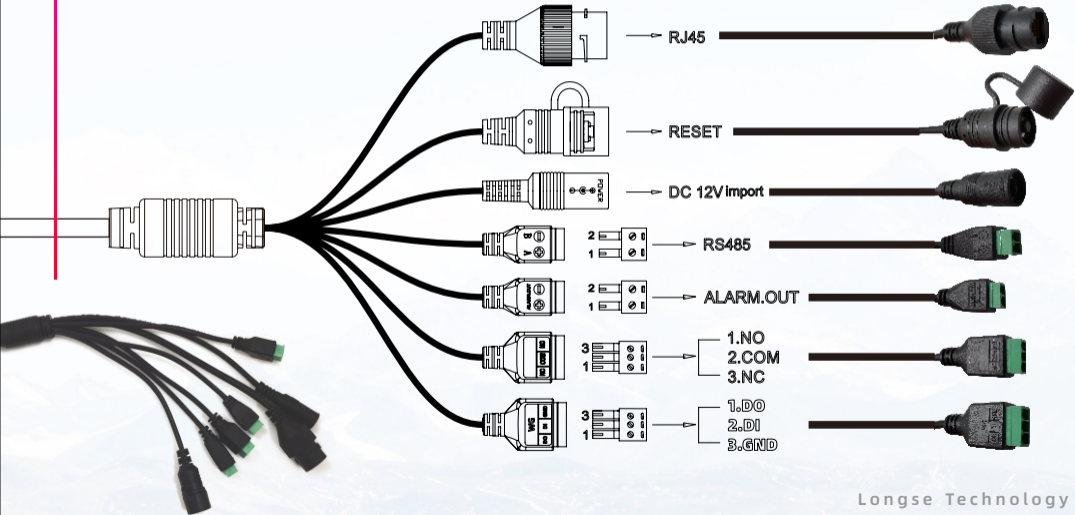
✓ Access Control



✓ Gate

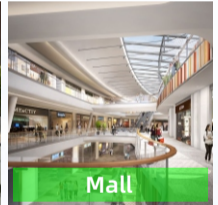
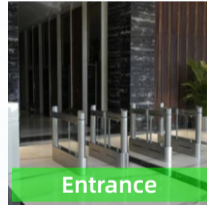
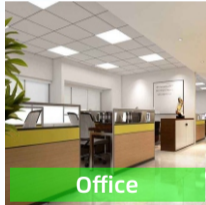
FK02 Series

+ Wire



FK02 Series

+ Application



F k 0 2

+ Default Configuration

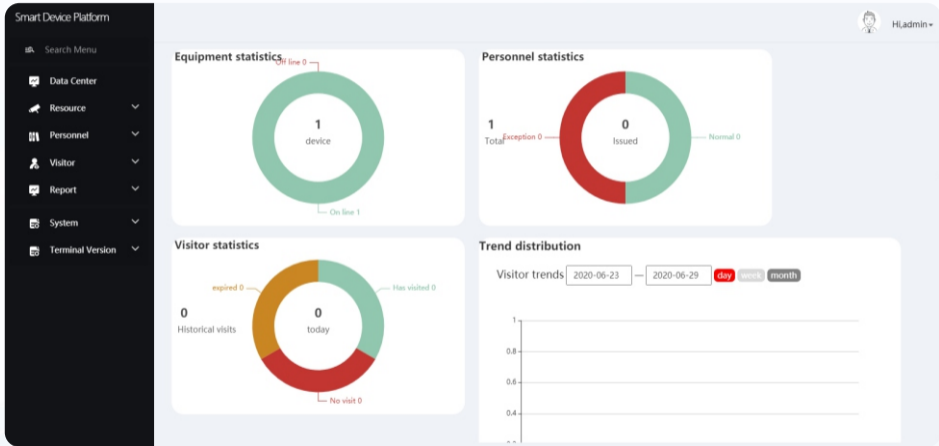
Conf. — [icon] ×

Basic Parameters	Network Config	Remote Config	Version Info	Function Parameters
Temperature Check				<input type="checkbox"/> No
Alarm Temperature				37.299999
Stranger Access				<input type="checkbox"/> No
Check Mask				<input type="checkbox"/> No
Save Photo				<input type="checkbox"/> No

CancelResetSet

F k 0 2

+ Data Analysis



F k 0 2

+ Visitor Management

Smart Device Platform

Hi,admin

Search Menu

- Data Center
- Resource
- Personnel
- Visitor
- Report
- Personnel Access**
- Abnormal Access
- Visitor
- System
- Terminal Version


Personnel No. Name Mobile Phone No.

Certificate Type Certificate No. Personnel Type:

Department Name Accessible Area: Time -

Device Name

Export

Picture	Personnel Type	Personnel No.	Name	Gender	Mobile Phone No.	Department Name	Certificate Type	Certificate No.	Visit Time	Accessible Area	Device No
	Programmer	001	CZD	Man	1888888888	R&D			2020-6-29 16:31:25	Gate	002

Visitors Allowed Pass By Registration

F k 0 2

+ Unkown Guest Logs

Smart Device Platform

HLAdmin





Personnel No. Name Mobile Phone No.

Certificate Type Certificate No. Personnel Type

State Department Name Accessible Area:

Time — Device Name Exception Type

Solve

<input type="checkbox"/>	Picture	Personnel Type	Personnel No.	Name	Gender	Mobile Phone No.	Department Name	Certificate Type	Certificate No.	Visit Time	Acc
<input type="checkbox"/>		Stranger								2020-06-29 15:27:23	D
<input type="checkbox"/>		Stranger								2020-06-29 15:27:12	D
<input type="checkbox"/>		Stranger								2020-06-29 15:27:09	D
<input type="checkbox"/>		Stranger								2020-06-29 15:26:59	D

F k 0 2

+ Record

Smart Device Platform

Search Menu

- Data Center
- Resource
- Personnel
- Visitor
- Report
- System
- Terminal Version

Hi,admin

Snapshot statistics

		Stranger	0	No mask
		Stranger	0	Masks worn
		Stranger	0	No mask
		Stranger	0	No mask

AI link



Smart Device Platform



Fk02 Series

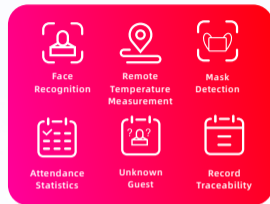


Fk03 Series



Fk05 Series

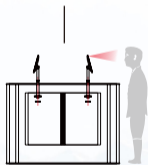
Device



features



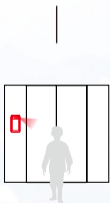
Data analysis



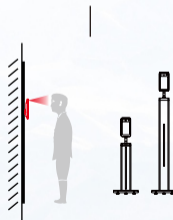
Gate



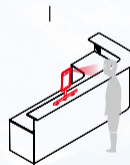
Security Door



Access Control



Stand-alone Use



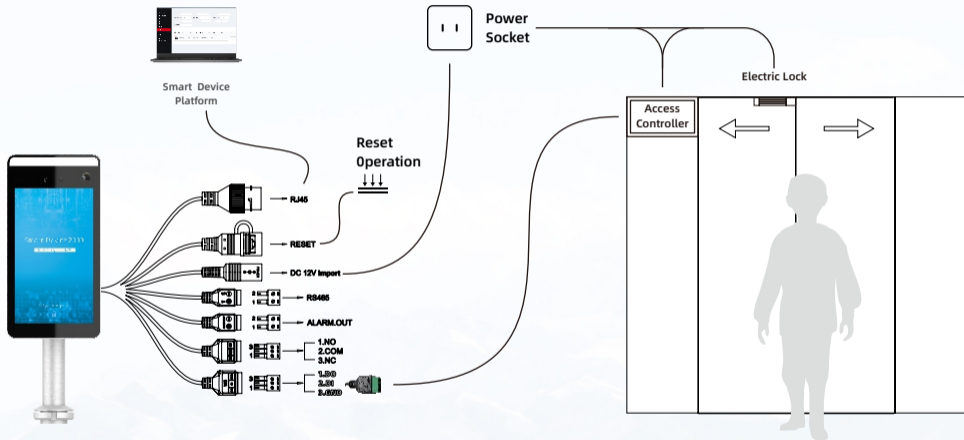
Attendance



Alarm

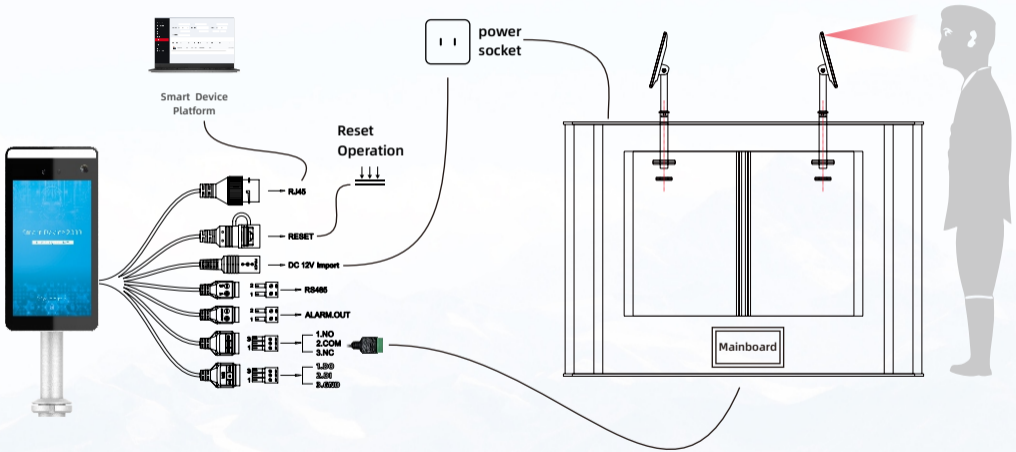
FK02 Extended

+ Access Control



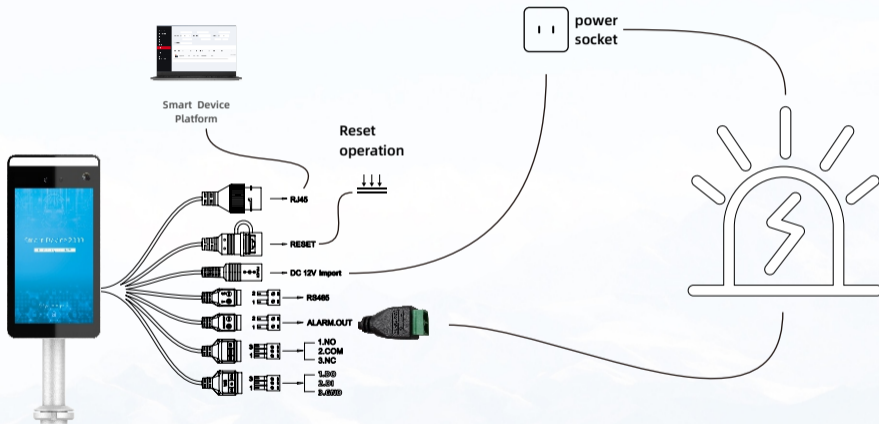
FK02 Extended

+ Gate



FK02 Extended

+ Alarm



Solution

+ Hospital



Solution

+ School



Teachers' office :
FK03 Face comparison
+Attendance



School entrance:
FK02 Wrist Temperature
Measurement



classroom and corridor:
AI BMMB camera+record
+Face recognition



classroom:
CMLB camera+record



playground:
AI PT7E camera+record



Solution

+ Community



Shop Street:
AI BMLA series +
Video + Alert



Monitoring System Upgrade:
POE Kits



FK03 Face Comparison
+Attendance



Entrance:
FK05 Face Recognition +RF Card
+ID Verification+Access



High Altitude Surveillance:
AI PT7E Camera+Record



Solution

+ Shopping Mall



THANKS