

UD info Corp.

Industrial M.2 2242 PCIe SSD

M2P-42UE Series

Product DataSheet

UD info CORP.

3F-4, No.8, Ln. 609, Sec. 5, Chongxin Rd., Sanchong Dist., New Taipei City 241, Taiwan (R.O.C.)

TEL: +886-2-7713-6050 FAX: +886-2-8511-3151

E-mail: sales@UDinfo.com.tw

1.	Introduction	6
1.1.	General Description	6
1.2.	Block Diagram	6
2.	Product Specifications	7
3.	Environmental Specifications	9
3.1.	Environmental Conditions	9
3.1.1.	Temperature and Humidity	9
3.1.2.	Shock	10
3.1.3.	Vibration	10
3.1.4.	Drop	10
3.1.5.	Bending	10
3.1.6.	Torque	10
3.1.7.	Electrostatic Discharge (ESD)	11
3.1.8.	EMI Compliance	11
3.2.	MTBF	11
3.3.	Certification & Compliance	11
4.	Electrical Specifications	12
4.1.	Supply Voltage	12
4.2.	Power Consumption	12
5.	Interface	14
5.1.	Pin Assignment and Descriptions	14
6.	Supported Commands	17
6.1.	NVMe Command List	17
6.2.	Identify Device Data	18
6.3.	SMART Attributes	22
7.	Physical Dimension	23
8.	Terminology	29
9.	Barcode description	29
10.	Partnumber decoder	30



Revision History

Revision	Draft Date	History	Author
1.0	2017/10/26	New release	Golden Lee
1.1	2018/3/27	Update Identify Device Data	Golden Lee
1.2	2018/5/23	Add Single side PCB support	Golden Lee
1.3	2018/6/26	Modify NVMe command set	Golden Lee



Product Overview

- **Capacity**
 - 120GB (128GB) up to 480GB (512GB)
- **Form Factor**
 - M.2 2242-D3-B+M (double side)
 - M.2 2242-S3-B+M (single side)
- **PCIe Interface**
 - NVMe PCIe Gen3 x2
- **Compliance**
 - NVMe 1.3
 - PCI Express Base 3.1
- **Flash Interface**
 - Transfer rate up to 533MBps
 - Up to 2pcs of BGA flash
- **Performance**
 - Read up to 1,600 MB/s
 - Write up to 1,000 MB/s
- **Power Consumption**^{Note1}
 - Active mode: < 3W
 - Idle < 50 mW
 - L1.2 < 2 mW
- **Reliability**
 - MTBF more than 2,000,000 hours
 - Uncorrectable Bit Error Rate(UBER) < 1 sector per 10¹⁶ bits read
- **Advanced Flash Management**
 - Static and Dynamic Wear Leveling
 - Bad Block Management
 - TRIM
 - SMART
 - Over-Provision
- **Power Saving Modes**
 - Support APST
 - Support ASPM
 - Support L1.2
- **Temperature Range**
 - Operation (Standard): 0°C ~ 70°C
 - Storage: -40°C ~ 85°C
- **Compliant**
 - RoHS
 - CE & FCC
- **Feature Support List:**
 - End to end data path protection
 - Thermal throttling
 - SmartECC
 - SmartRefresh
 - Drive log
 - Support of TCG OPAL^{Note2}
 - Support of TCG Pyrite^{Note2}

Notes:

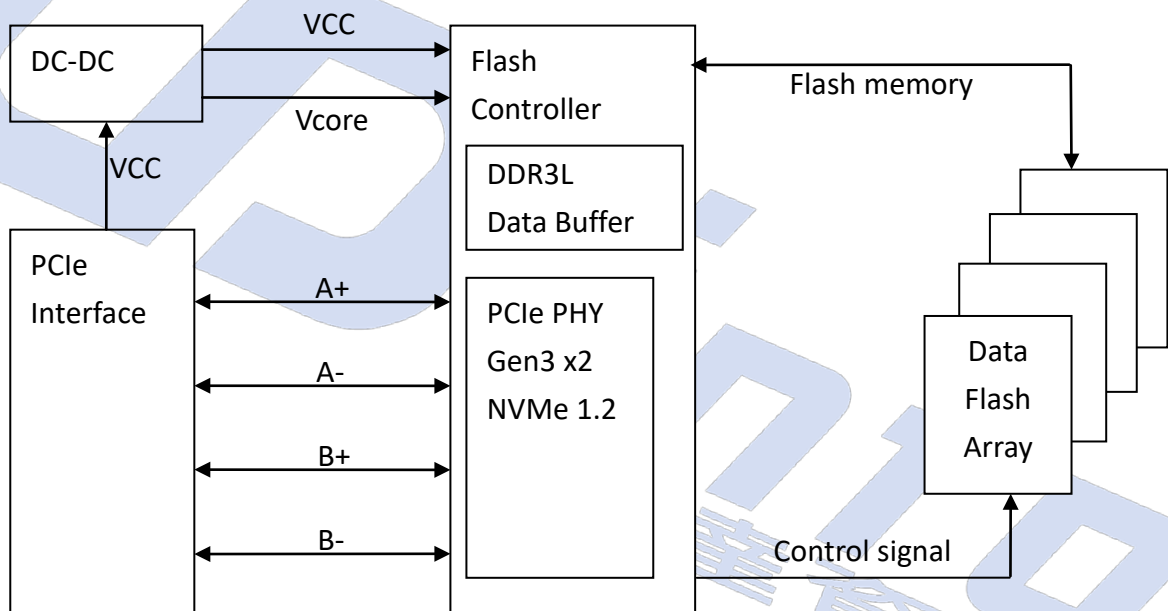
1. Please see "Power Consumption" for details.
2. Supported by a separate firmware version. Further information available upon request.

1. INTRODUCTION

1.1. General Description

UDinfo's M.2 2242 PCIe solid state Drive delivers all the advantages of flash disk technology with PCIe Gen3 x2 interface and is fully compliant with the standard Next Generation Form Factor (NGFF) called M.2 Card Format, which is generated by Intel. The M.2 2242 could provide a wide range capacity up to 480GB(512GB) and reach up to 1,600MB/s read as well as 1,000MB/s write high performance based on Toshiba's BiCS3 Toggle TLC flash (with 256MB/512MB DDR3L cache enabled and measured by CrystalDiskMark v5.0). Moreover, the power consumption of the M.2 2242 is much lower than traditional hard drives, making it the best embedded solution for new platforms.

1.2. Block Diagram



M.2 2242 PCIe SSD Block Diagram

2. PRODUCT SPECIFICATIONS



- **Capacity**
 - 120GB (128GB) up to 480GB (512GB)
- **Electrical/Physical Interface**
 - PCIe Interface
 - ◆ Compliant with NVMe 1.3
 - ◆ PCIe Ver 3.1
 - ◆ Compatible with PCIe I/II/III x 2 interface
 - ◆ Support up to queue depth 64K
 - ◆ Support power management
- **Supported NAND Flash**
 - Toshiba 3D –NAND; Intel/Micron 3D-NAND; Hynix 3D-NAND
 - Support all types of large block: 8KB/page and 16K/page NAND flash
 - Contain up to 2pcs of BGA flash
- **ECC Scheme**
 - Applies the SECC (Strong ECC) of ECC algorithm
- **Sector Size Support**
 - 512B
 - 4KB
- **UART function**
- **GPIO**
- **Support SMART and TRIM commands**
- **LBA Range**
 - IDEMA standard

- Performance

- 3D TLC:

Capacity	Flash Structure	CE#	Flash Type	Sequential (MB/s)		Random (8GB Burst)	
				Read (MB/s)	Write (MB/s)	Read (K IOPS)	Write (K IOPS)
120GB	64GB x 2	4	BGA, BiCS3 TLC	1,500	450	90	100
(128GB)	*128GB x 1	4	BGA, BiCS3 TLC	1,500	450	90	100
240GB	128GB x 2	8	BGA, BiCS3 TLC	1,600	850	180	150
(256GB)	*256GB x 1	8	BGA, BiCS3 TLC	1,600	850	180	150
480GB (512GB)	256GB x 2	16	BGA, BiCS3 TLC	1,600	1,000	230	160

Notes:

1. The performance was estimated based on Toshiba NAND flash.
2. Performance may differ according to flash configuration and platform.
3. The table above is for reference only. The criteria for MP (mass production) and for accepting goods shall be discussed based on different flash configuration.
4. Performance is measured with following conditions
 - (a) CrystalDiskMark 5.1.2, 1GB range, QD=32, Thread=1
 - (b) IOMeter, 8GB range, 4K data size, QD=32 (3) ATTO, transfer size 8192 KB
5. "*" is only for single side PCB combination.

3. ENVIRONMENTAL SPECIFICATIONS



3.1. Environmental Conditions

3.1.1. Temperature and Humidity

- Temperature:
 - ◆ Storage: -40°C to 85°C
 - ◆ Operational (Standard grade): 0°C to 70°C
- Humidity:
 - ◆ Standard grade: RH 90% under 40°C (operational)

■ High Temperature Test Condition

	Temperature	Humidity
Operation (Standard)	70°C	0% RH
Storage (Standard)	85°C	0% RH

Result: No any abnormality is detected.

■ Low Temperature Test Condition

	Temperature	Humidity
Operation (Standard)	0°C	0% RH
Storage (Standard)	-40°C	0% RH

Result: No any abnormality is detected.

■ High Humidity Test Condition

	Temperature	Humidity
Operation (Standard)	40°C	90% RH
Storage (Standard)	40°C	93% RH

Result: No any abnormality is detected.

■ Temperature Cycle Test

	Temperature
Operation (Standard)	0°C
	70°C
Storage (Standard)	-40°C
	85°C

Result: No any abnormality is detected.

3.1.2. Shock

■ Shock Specification

	Acceleration Force
Non-Operational	1500G

Result: No any abnormality is detected.

3.1.3. Vibration

■ Vibration Specification

	Condition	
	Frequency/Displacement	Frequency/Acceleration
Non-Operational	20Hz~80Hz/1.52mm	80Hz~2000Hz/20G

Result: No any abnormality is detected.

3.1.4. Drop

■ Drop Specification

	Height of Drop	Number of Drop
Non-operational	80cm free fall	6 face of each unit

Result: No any abnormality is detected.

3.1.5. Bending

■ Bending Specification

	Force	Action
Non-operational	≥ 20N	Hold 1min/5times

Result: No any abnormality is detected.

3.1.6. Torque

■ Contact ESD Specification

	Force	Action
Non-operational	0.5N-m or ±2.5 deg	Hold 1min/5times

Result: No any abnormality is detected.

3.1.7. Electrostatic Discharge (ESD)

Specification	+/- 4KV
EN 55024, CISPR 24 EN 61000-4-2 and IEC 61000-4-2	Device functions are affected, but EUT will be back to its normal or operational state automatically.

3.1.8. EMI Compliance

Specification
EN 55032, CISPR 32 (CE) AS/NZS CISPR 32 (CE) ANSI C63.4 (FCC) VCCI-CISPR 32 (VCCI) CNS 13438 (BSMI)

3.2. MTBF

MTBF, an acronym for Mean Time between Failures, is a measure of a device's reliability. Its value represents the average time between a repair and the next failure. The measure is typically in units of hours. The higher the MTBF value, the higher the reliability of the device. The predicted result of UDinfo's M.2 2242 PCIe Drive is up to 2,000,000 hours.

3.3. Certification & Compliance

- RoHS
- WHQL
- PCI Express Base 3.1
- UNH-IOL NVM Express Logo

4. ELECTRICAL SPECIFICATIONS



4.1. Supply Voltage

Parameter	Rating
Operating Voltage	Min = 3.14V Max = 3.47V
Rise Time (Max/Min)	100ms / 0.1ms
Fall Time (Max/Min)	5s / 1ms
Min. off Time ^{Note1}	1s

Note:

1. Minimum time between power removed from SSD (Vcc < 100mW) and power re-applied to the drive.

4.2. Power Consumption

- Power consumption with Toshiba BiCS3 TLC in mW

Capacity	Flash Structure	CE#	Read (Max)	Write (Max)	Read (Avg.)	Write (Avg.)
120GB (128GB)	64GB x 2	4	2700	2100	2600	2000
	*128GB x 1	4	2800	2200	2750	2100
240GB (256GB)	128GB x 2	8	2800	2700	2700	2500
	*256GB x 1	8	2950	2700	2900	2650
480GB (512GB)	256GB x 2	16	3000	2900	2900	2800

Unit: mW

Notes

1. Based on E8FM1xxx-series under ambient temperature.
2. Use CrystalDiskMark 5.1.2 with the setting of 1000MB. Sequentially read and write the disk for 5 times, and measure power consumption during sequential Read [1/5]~[5/5] or sequential Write [1/5]~[5/5]
3. Power Consumption may differ according to flash configuration and platform.
4. The measured power voltage is 3.3V.
5. "*" is only for single side PCB combination.

■ Power consumption with Toshiba BiCS3 TLC in mW

Capacity	Flash Structure	CE#	Seq. Write			PS3	PS4
			PS0	PS1	PS2		
120GB (128GB)	64GB x 2	4	2000	1600	1450	40	2
	*128GB x 1	4	2100	1850	1650	35	2
240GB (256GB)	128GB x 2	8	2500	1700	1550	40	2
	*256GB x 1	8	2650	2300	2000	35	2
480GB (512GB)	256GB x 2	16	2800	2000	1800	45	2

Unit: mW

Notes

1. Based on E8FM1xxx-series under ambient temperature.
2. The average value of power consumption is achieved based on 100% conversion efficiency.
3. The measured power voltage is 3.3V.
4. The temperature of a storage device in PS1 should remain constant or should slightly decrease for all workloads so the actual power in PS1 should be lower than PS0.
5. The temperature of a storage device in PS2 should decrease sharply for all workloads so the actual power in PS2 should be lower than PS1.
6. "*" is only for single side PCB combination.

■ Mobile Mark 2014 Average Power consumption with Toshiba BiCS3 TLC

Capacity	Flash Structure	CE#	Primary
120GB (128GB)	64GB x 2	4	< 300mW
	*128GB x 1	4	< 300mW
240GB (256GB)	128GB x 2	8	< 300mW
	*256GB x 1	8	< 300mW
480GB (512GB)	256GB x 2	16	< 300mW

Unit: mW

Notes

1. Based on E8FM1xxx-series under ambient temperature.
2. The measured power voltage is 3.3V.
3. The average value of power consumption is achieved based on 100% conversion efficiency.
4. "*" is only for single side PCB combination.

5. INTERFACE



5.1. Pin Assignment and Descriptions

The follow table defines the signal assignment of the internal NGFF connector for SSD usage, described in the PCI Express M.2 Specification version 1.0 of the PCI-SIG.

Pin #	SATA Pin	Description
1	GND	Ground
2	3.3V	3.3V source
3	GND	Ground
4	3.3V	3.3V source
5	N/C	No connect
6	N/C	No connect
7	N/C	No connect
8	N/C	No connect
9	N/C	No connect
10	LED1#(O)	Status indicators via LED devices
11	PERn3	PCIe RX Differential signal defined by the PCI Express M.2 spec
12	Module Key B	Module Key
13	Module Key B	
14	Module Key B	
15	Module Key B	
16	Module Key B	
17	Module Key B	
18	Module Key B	
19	Module Key B	
20	N/C	No connect
21	GND	Ground
22	N/C	No connect
23	N/C	No connect
24	N/C	No connect
25	N/C	No connect
26	N/C	No connect
27	GND	Ground
28	N/C	No connect
29	PETn1	PCIe TX Differential signal defined by the PCI Express M.2 spec
30	N/C	No connect

UD info CORP. TEL: +886-2-7713-6050 FAX: +886-2-8511-3151

3F-4, No.8, Ln. 609, Sec. 5, Chongxin Rd., Sanchong Dist., New Taipei City 241, Taiwan (R.O.C.)

Pin #	SATA Pin	Description
31	PETp1	PCIe TX Differential signal defined by the PCI Express M.2 spec
32	N/C	No connect
33	GND	Ground
34	N/C	No connect
35	PERn1	PCIe RX Differential signal defined by the PCI Express M.2 spec
36	N/C	No connect
37	PERp1	PCIe RX Differential signal defined by the PCI Express M.2 spec
38	N/C	No connect
39	GND	Ground
40	SMB_CLK (I/O)(0/1.8V)	SMBus Clock; Open Drain with pull-up on platform.
41	PETn0	PCIe TX Differential signal defined by the PCI Express M.2 spec
42	SMB_DATA (I/O)(0/1.8V)	SMBus Data; Open Drain with pull-up on platform.
43	PETp0	PCIe TX Differential signal defined by the PCI Express M.2 spec
44	ALERT#(O)(0/1.8V)	Alert notification to master; Open Drain with pull-up on platform; Active low.
45	GND	Ground
46	N/C	No connect
47	PERn0	PCIe RX Differential signal defined by the PCI Express M.2 spec
48	N/C	No connect
49	PERp0	PCIe RX Differential signal defined by the PCI Express M.2 spec
50	PERST#(I)(0/3.3V)	PE-Reset is a functional reset to the card as defined by the PCIe Mini CEM specification.
51	GND	Ground
52	CLKREQ#(I/O)(0/3.3V)	Clock Request is a reference clock request signal as defined by the PCIe Mini CEM specification; Also used by L1 PM Substates.
53	REFCLKn	PCIe Reference Clock signals (100 MHz) defined by the PCI Express M.2 spec.
54	PEWAKE#(I/O)(0/3.3V)	PCIe PME Wake. Open Drain with pull up on platform; Active Low.
55	REFCLKp	PCIe Reference Clock signals (100 MHz) defined by the PCI Express M.2 spec.
56	Reserved for MFG DATA	Manufacturing Data line. Used for SSD manufacturing only. Not used in normal operation. Pins should be left N/C in platform Socket.
57	GND	Ground
58	Reserved for MFG CLOCK	Manufacturing Clock line. Used for SSD manufacturing only.

UD info CORP. TEL: +886-2-7713-6050 FAX: +886-2-8511-3151

3F-4, No.8, Ln. 609, Sec. 5, Chongxin Rd., Sanchong Dist., New Taipei City 241, Taiwan (R.O.C.)

Pin #	SATA Pin	Description
		Not used in normal operation. Pins should be left N/C in platform Socket.
59	Module Key M	Module Key
60	Module Key M	
61	Module Key M	
62	Module Key M	
63	Module Key M	
64	Module Key M	
65	Module Key M	
66	Module Key M	
67	N/C	No Connect
68	SUSCLK(32KHz) (I)(0/3.3V)	32.768 kHz clock supply input that is provided by the platform chipset to reduce power and cost for the module.
69	PEDET (NC-PCIe)	Host I/F Indication; No Connect for PCIe.
70	3.3V	3.3V source
71	GND	Ground
72	3.3V	3.3V source
73	GND	Ground
74	3.3V	3.3V source
75	GND	Ground

6. SUPPORTED COMMANDS



6.1. NVMe Command List

Table 6-1 Admin Commands

Op-Code	Command Description
00h	Delete I/O Submission Queue
01h	Create I/O Submission Queue
02h	Get Log Page
04h	Delete I/O Completion Queue
05h	Create I/O Completion Queue
06h	Identify
08h	Abort
09h	Set Features
0Ah	Get Features
0Ch	Asynchronous Event Request
10h	Firmware Activate
11h	Firmware Image Download

Table 6-2 Admin Commands – NVM Command Set Specific

Op-Code	Command Description
80h	Format NVM
81h	Security Send
82h	Security Receive

Table 6-3 NVM Commands

Op-Code	Command Description
00h	Flush
01h	Write
02h	Read
04h	Write Uncorrectable
08h	Write Zeroes
09h	Dataset Management

6.2. Identify Device Data

The following table details the sector data returned by the IDENTIFY DEVICE command.

■ Identify Controller Data Structure

Bytes	Description
01:00	PCI Vendor ID (VID)
03:02	PCI Subsystem Vendor ID (SSVID)
23:04	Serial Number (SN)
63:24	Model Number (MN)
71:64	Firmware Revision (FR)
72	Recommended Arbitration Burst (RAB)
75:73	IEEE OUI Identifier (IEEE)
76	Controller Multi-Path I/O and Namespace Sharing Capabilities (CMIC)
77	Maximum Data Transfer Size (MDTS)
79:78	Controller ID (CNTLID)
83:80	Version (VER)
87:84	RTD3 Resume Latency (RTD3R)
91:88	RTD3 Entry Latency (RTD3E)
95:92	Optional Asynchronous Events Supported (OAES)
239:96	Reserved
255:240	Refer to the NVMe Management Interface Specification for definition
257:256	Optional Admin Command Support (OACS)
258	Abort Command Limit (ACL)
259	Asynchronous Event Request Limit (AERL)
260	Firmware Updates (FRMW)
261	Log Page Attributes (LPA)
262	Error Log Page Entries (ELPE)
263	Number of Power States Support (NPSS)
264	Admin Vendor Specific Command Configuration (AVSCC)
265	Autonomous Power State Transition Attributes (APSTA)
267:266	Warning Composite Temperature Threshold (WCTEMP)
269:268	Critical Composite Temperature Threshold (CCTEMP)
271:270	Maximum Time for Firmware Activation (MTFA)
275:272	Host Memory Buffer Preferred Size (HMPRE)
279:276	Host Memory Buffer Minimum Size (HMMIN)
295:280	Total NVM Capacity (TNVMCAP)

UD info CORP. TEL: +886-2-7713-6050 FAX: +886-2-8511-3151

3F-4, No.8, Ln. 609, Sec. 5, Chongxin Rd., Sanchong Dist., New Taipei City 241, Taiwan (R.O.C.)

Bytes	Description
311:296	Unallocated NVM Capacity (UNVMCAP)
315:312	Replay Protected Memory Block Support (RPMBS)
511:316	Reserved
NVM Command Set Attributes	
512	Submission Queue Entry Size (SQES)
513	Completion Queue Entry Size (CQES)
515:514	Reserved
519:516	Number of Namespaces (NN)
521:520	Optional NVM Command Support (ONCS)
523:522	Fused Operation Support (FUSES)
524	Format NVM Attributes (FNA)
525	Volatile Write Cache (VWC)
527:526	Atomic Write Unit Normal (AWUN)
529:528	Atomic Write Unit Power Fail (AWUPF)
530	NVM Vendor Specific Command Configuration (NVSCC)
531	Reserved
533:532	Atomic Compare & Write Unit (ACWU)
535:534	Reserved
539:536	SGL Support (SGLS)
703:540	Reserved
IO Command Set Attributes	
2047:704	Reserved
2079:2048	Power State 0 Descriptor
2111:2080	Power State 1 Descriptor
2143:2112	Power State 2 Descriptor
2175:2144	Power State 3 Descriptor
2207:2176	Power State 4 Descriptor
...	N/A
3071:3040	Power State 31 Descriptor
Vendor Specific	
4095:3072	Vendor Specific (VS)

■ Identify Namespace Data Structure & NVM Command Set Specific

Bytes	Description
7:0	Namespace Size (NSZE)
15:8	Namespace Capacity (NCAP)
23:16	Namespace Utilization (NUSE)
24	Namespace Features (NSFEAT)
25	Number of LBA Formats (NLBAF)
26	Formatted LBA Size (FLBAS)
27	Metadata Capabilities (MC)
28	End-to-end Data Protection Capabilities (DPC)
29	End-to-end Data Protection Type Settings (DPS)
30	Namespace Multi-path I/O and Namespace Sharing Capabilities (NMIC)
31	Reservation Capabilities (RESCAP)
119:32	Reserved
127:120	IEEE Extended Unique Identifier (EUI64)
131:128	LBA Format 0 Support (LBAF0)
135:132	LBA Format 1 Support (LBAF1)
139:136	LBA Format 2 Support (LBAF2)
143:140	LBA Format 3 Support (LBAF3)
147:144	LBA Format 4 Support (LBAF4)
151:148	LBA Format 5 Support (LBAF5)
155:152	LBA Format 6 Support (LBAF6)
159:156	LBA Format 7 Support (LBAF7)
163:160	LBA Format 8 Support (LBAF8)
167:164	LBA Format 9 Support (LBAF9)
171:168	LBA Format 10 Support (LBAF10)
175:172	LBA Format 11 Support (LBAF11)
179:176	LBA Format 12 Support (LBAF12)
183:180	LBA Format 13 Support (LBAF13)
187:184	LBA Format 14 Support (LBAF14)
191:188	LBA Format 15 Support (LBAF15)
383:192	Reserved
4095:384	Vendor Specific (VS)

■ List of Identify Namespace Data Structure for Each Capacity

Capacity (GB)	Byte[7:0]: Namespace Size (NSZE)
120	DF94BB0h
128	EE7C2B0h
240	1BF244B0h
256	1DCF32B0h
480	37E436B0h
512	3B9E12B0h



6.3. SMART Attributes

■ SMART Attributes (Log Identifier 02h)

Bytes Index	Bytes	Description
[0]	1	Critical Warning
[2:1]	2	Composite Temperature
[3]	1	Available Spare
[4]	1	Available Spare Threshold
[5]	1	Percentage Used
[31:6]	26	Reserved
[47:32]	16	Data Units Read
[63:48]	16	Data Units Written
[79:64]	16	Host Read Commands
[95:80]	16	Host Write Commands
[111:96]	16	Controller Busy Time
[127:112]	16	Power Cycles
[143:128]	16	Power On Hours
[159:144]	16	Unsafe Shutdowns
[175:160]	16	Media and Data Integrity Errors
[191:176]	16	Number of Error Information Log Entries
[195:192]	4	Warning Composite Temperature Time
[199:196]	4	Critical Composite Temperature Time
[201:200]	2	Temperature Sensor 1
[203:202]	2	Temperature Sensor 2
[205:204]	2	Temperature Sensor 3
[207:206]	2	Temperature Sensor 4

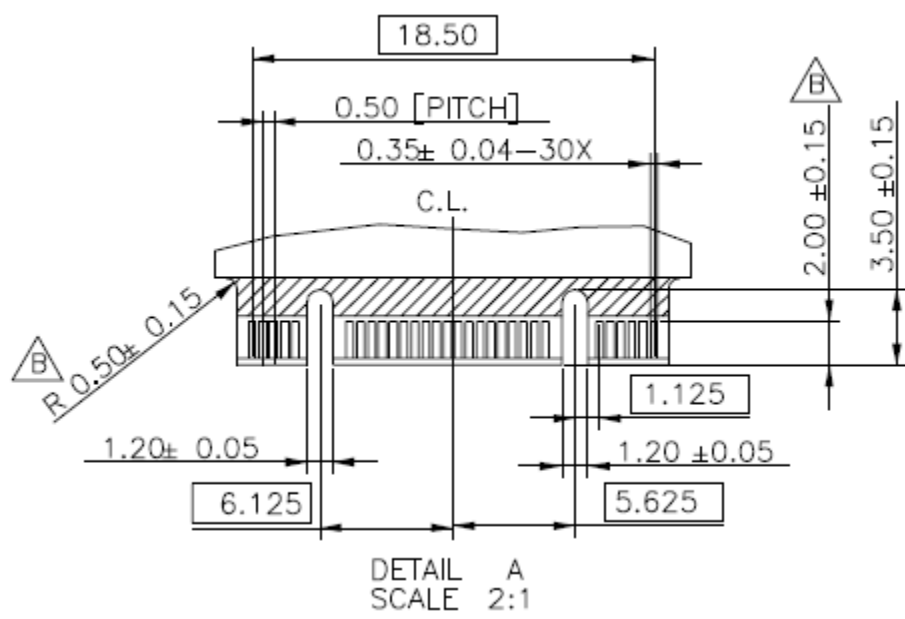
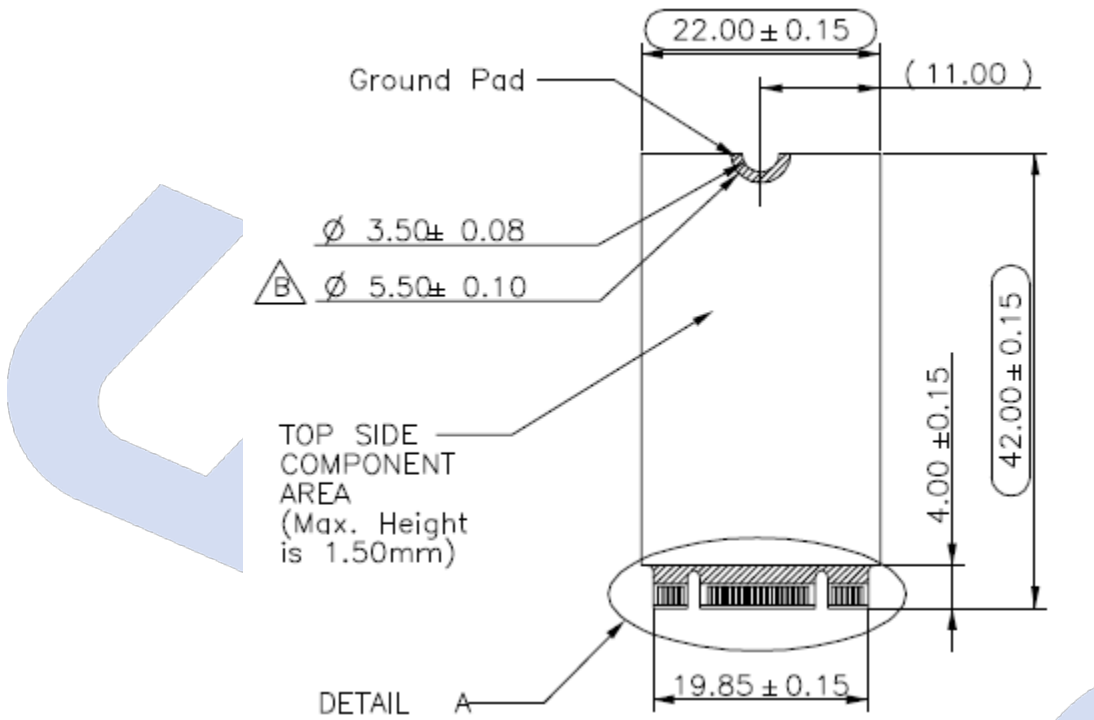
7. PHYSICAL DIMENSION



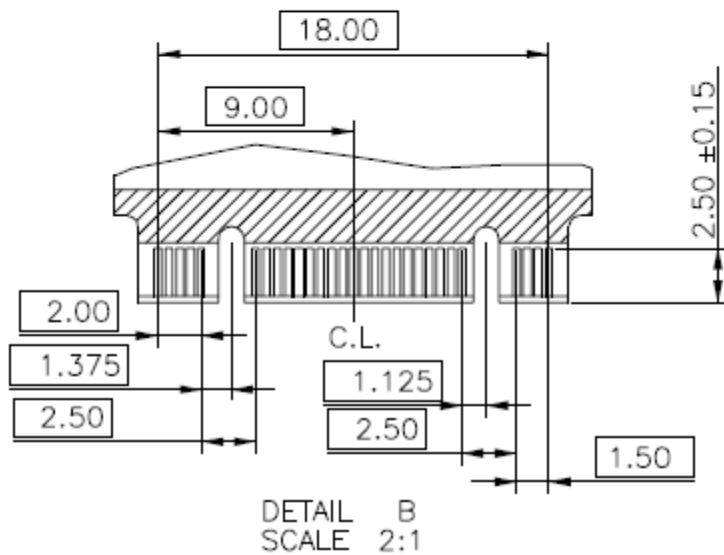
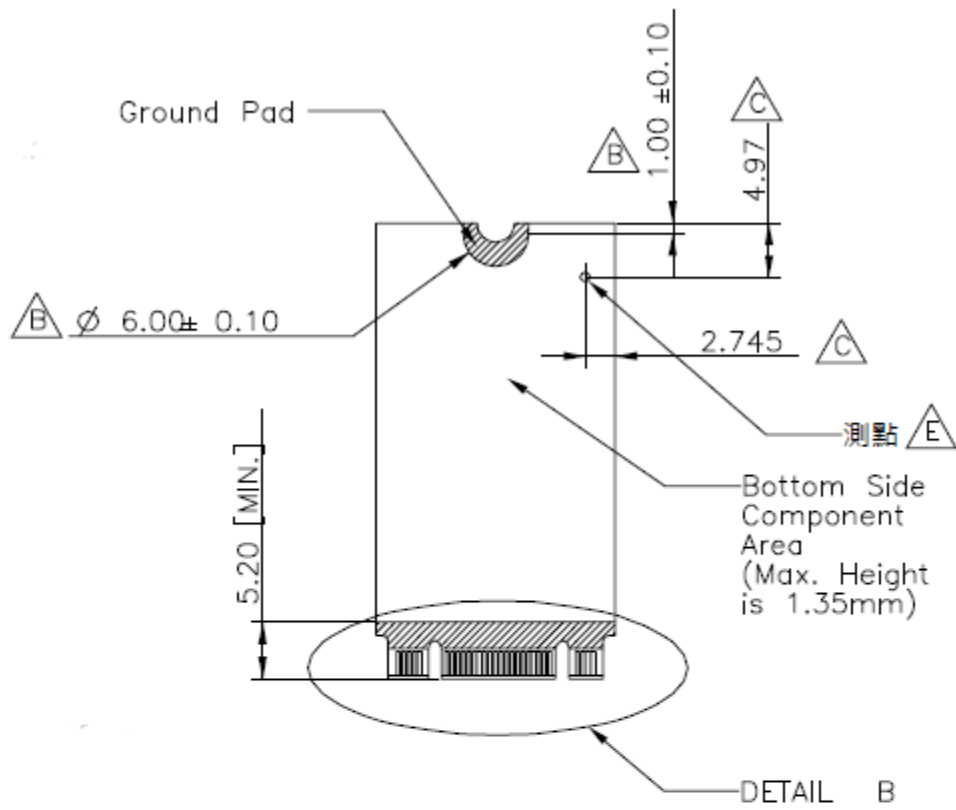
- Double side M.2 2242 D3: 42mm (L) x 22mm (W) x (Top 1.50 + Bottom 1.35)mm (H)

Top View

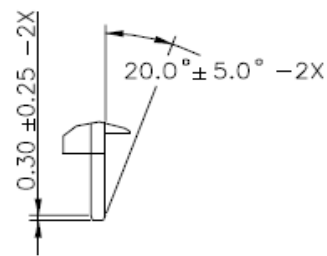
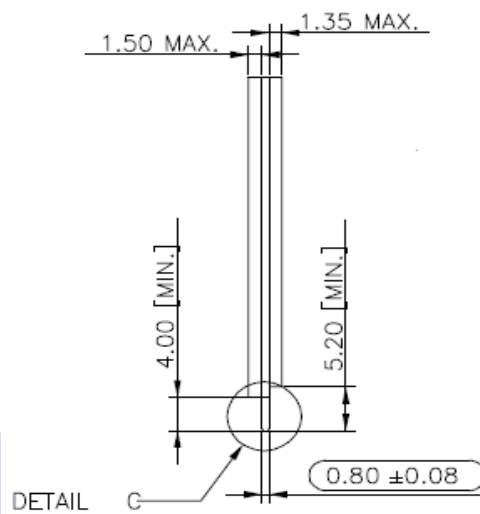
Unit : mm



Bottom View







Side View



DETAIL C
 SCALE 2:1

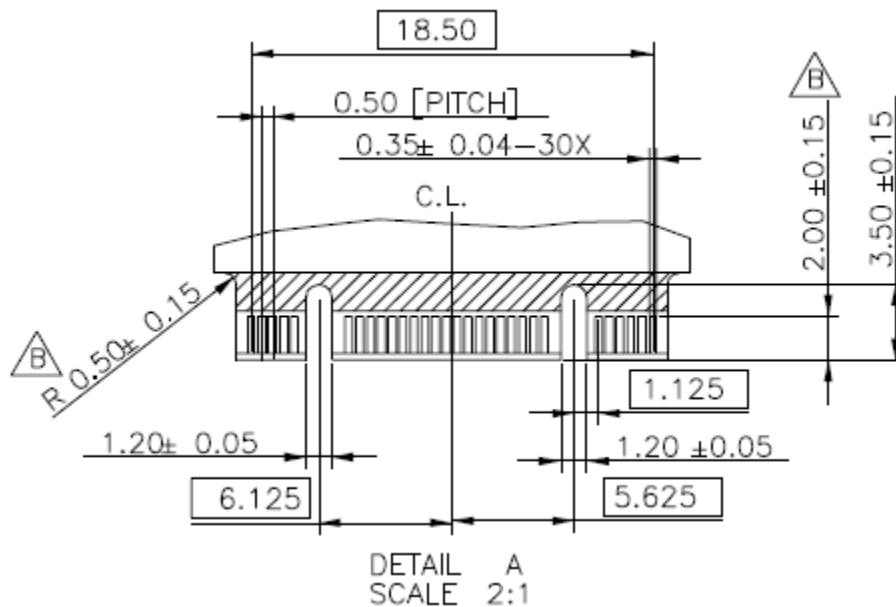
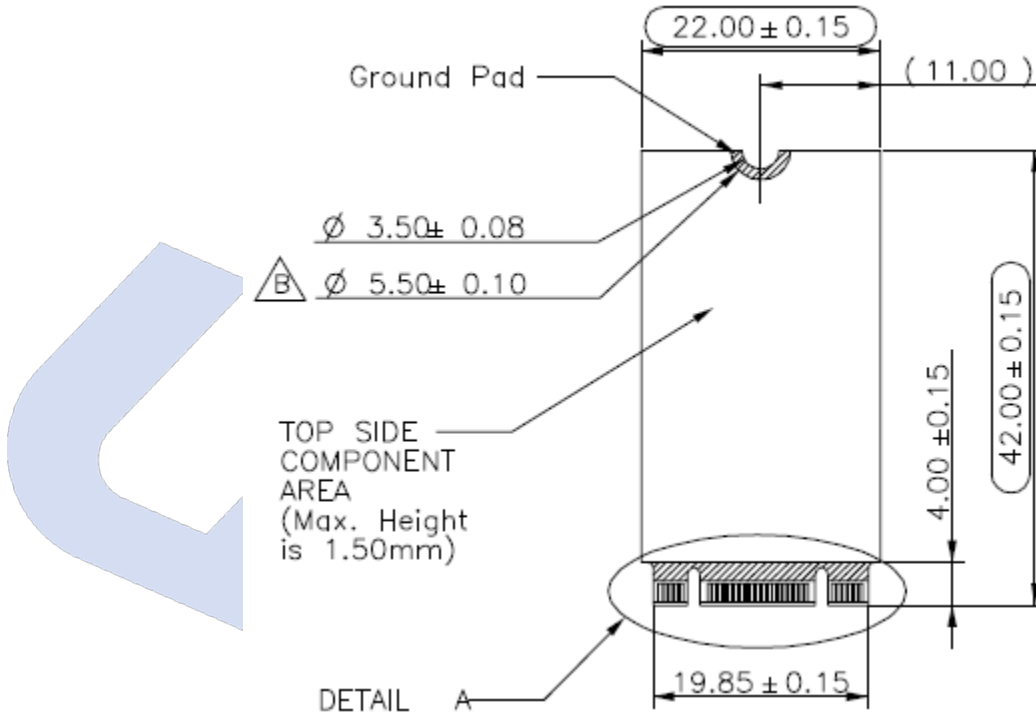
***Notes:**

1.  =Max Component Height
2.  =No Component
3.  =No Component / Signal Vias / Signal Copper / Print
4. General Tolerance: ±0.15mm
5.  is IQC inspection dimension

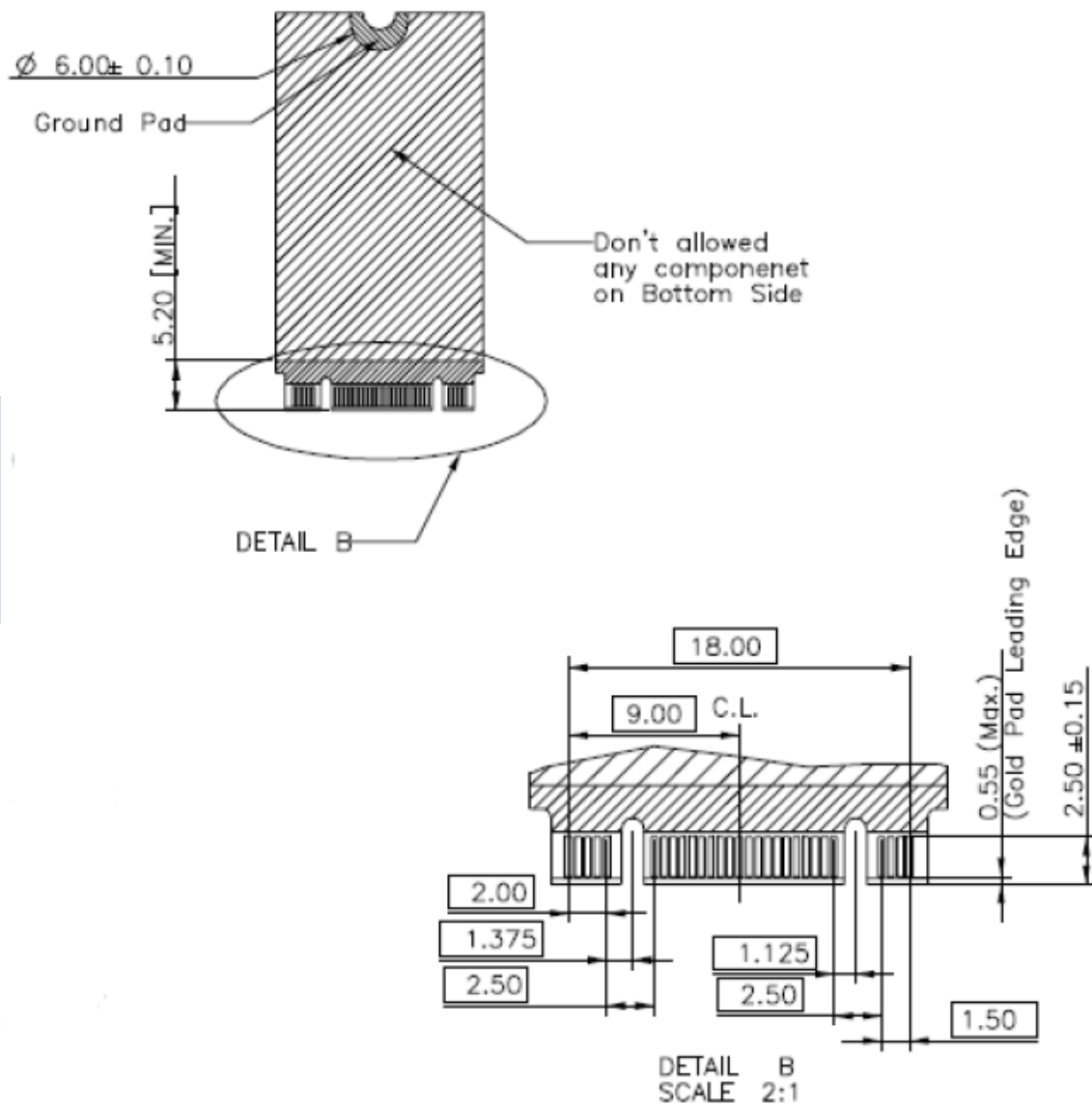
- Single side M.2 2242 S3: 42mm (L) x 22mm (W) x 1.50mm (H)

Top View

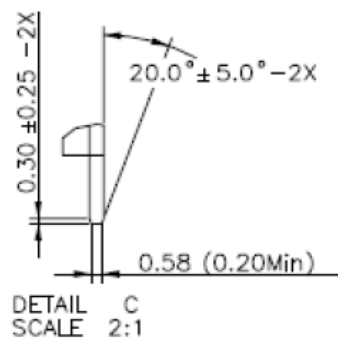
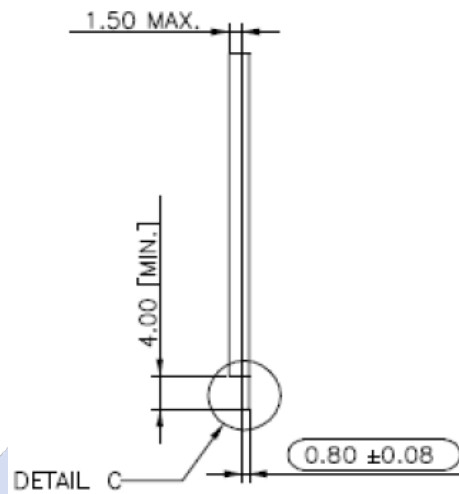
Unit : mm







Bottom View



Side View



***Notes:**

1.  =Max Component Height
2.  =No Component
3.  =No Component / Signal Vias / Signal Copper / Print
4. General Tolerance: $\pm 0.15\text{mm}$
5.  is IQC inspection dimension

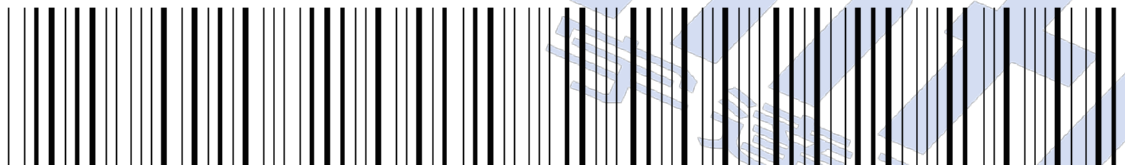
8. TERMINOLOGY



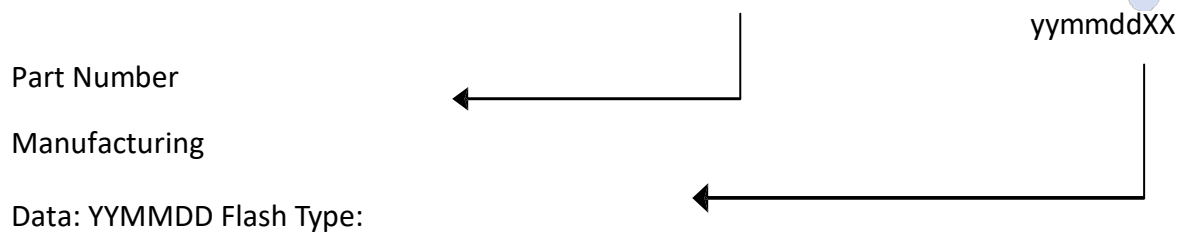
The following table is to list out the acronyms that have been applied throughout the document.

Term	Definitions
ATTO	Commercial performance benchmark application
DDR	Double data rate (SDRAM)
ASPM	Active States Power Management
APST	Autonomous Power State Transition
LBA	Logical block addressing
MTBF	Mean time between failures
PCIe	PCI Express / Peripheral Component Interconnect Express
S.M.A.R.T.	Self-monitoring, analysis and reporting technology

9. BARCODE DESCRIPTION



M 2 P 4 2 U E 4 8 0 G B A D P



10. PARTNUMBER DECODER



M2P-42UEX⁸X⁹X¹⁰X¹¹X¹²X¹³X¹⁴X¹⁵X¹⁶X¹⁷

X ¹ X ² X ³	X ⁴ X ⁵	X ⁶ X ⁷	X ⁸ X ⁹ X ¹⁰ X ¹¹ X ¹²	X ¹³	X ¹⁴	X ¹⁵	X ¹⁶ X ¹⁷
M2P	42	UE	120GB 128GB 240GB 256GB 480GB 512GB	A: 3D TLC Standard (0°C ~ +70°C)	D	P	blank

