

IVH-9200 Series

Quad Core Intel® Xeon®/ Core™ i7/ i5/ i3 Processor (Skylake-S) In-Vehicle Fanless Embedded System with Intel® C236, 6 GigE LAN with 4 M12 PoE+, 4 Front-access SSD Tray, 8 USB 3.0, M2DOM, 3 SIM, 32 Isolated DIO, High Performance, Rugged, -40°C to 75°C Extended Temperature

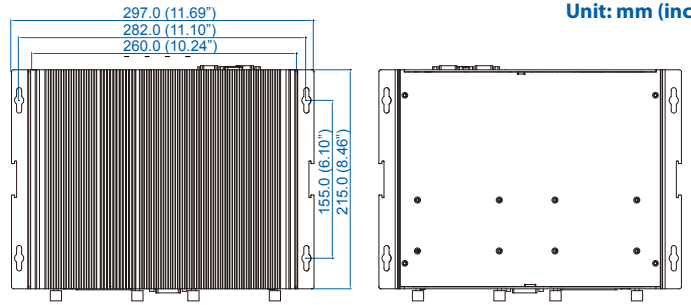
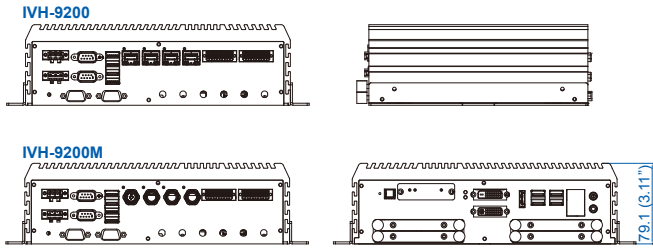


- LGA 1151 Socket supports Quad Core Intel® Xeon®/ Core™ i7/ i5/ i3 Processor with C236 Chipset
- 2 DDR4 2133MHz SO-DIMM, up to 32GB (ECC/Non-ECC)
- DVI-I, DVI-D & DisplayPort interfaces, up to 4K display
- 6V to 36V DC Power Input with 80V Surge Protection
- Configurable Ignition Power Control
- 6 Independent GigE LAN with 4 M12 IEEE 802.3at PoE+
- Fanless, -40°C to 75°C Extended Temperature
- 32 Isolated DIO, 8 USB 3.0, 4 COM, 3 Mini PCIe
- 4 Front-access SSD Tray, 1 CFast, 1 M2DOM, 4 SATA III
- 3 External SIM Socket for 3G/4G/LTE/WiFi/GPRS/UMTS
- UPS supported (Optional)



Dimensions & Drawing

Unit: mm (inch)



Specifications

System

Processor	Quad Core Intel® Xeon®/ Core™ i7/ i5/ i3 Processor (Skylake-S)
Chipset	Intel® C236
BIOS	AMI
SIO	IT8786E
Memory	2 DDR4 2133MHz SO-DIMM, up to 32GB

I/O Interface

Serial	4 COM RS-232/ 422/ 485 (ESD 8KV)
USB	<ul style="list-style-type: none"> • 8 USB 3.0 (4 Front, 4 Rear) • 1 USB 2.0 (Internal)
Isolated DIO	32 Isolated DIO : 16 DI, 16 DO
LED	Power, HDD, Wireless, PoE
SIM Card	3 External SIM Card Socket

Expansion

Mini PCIe	3 Full-size for PCIe/ USB/ External SIM Card/ mSATA
------------------	---

Graphics

Processor Interface	Intel® HD Graphics 530
	<ul style="list-style-type: none"> • DVI-I : Up to 1920 x 1200 @ 60Hz • DVI-D : Up to 1920 x 1200 @ 60Hz • DisplayPort : Up to 4096 x 2304 @ 60Hz

Storage

SATA	4 SATA III (6Gbps) support S/W RAID 0, 1, 5, 10
mSATA	3 SATA III (Mini PCIe Type, 6Gbps, Optional)
M2DOM	1 PCIe 3.0 (8GT/s)
Storage Device	<ul style="list-style-type: none"> • 1 CFast Socket, Push-in/ Push-out Ejector • 4 Front-access 2.5" SSD/ HDD Tray

Audio

Audio Codec	Realtek ALC892, 5.1 Channel HD Audio
Audio Interface	1 Mic-in, 1 Line-out

Power

Power Input	6V to 36V, DC-in
Power Interface	3-pin Terminal Block : V+, V-, Frame Ground
Ignition Control	16 Mode (Internal)
Remote Switch	3-pin Terminal Block
Surge Protection	Up to 80V/1ms Transient Power

Ethernet

LAN 1	Intel® I219LM GigE LAN supports iAMT 11.0
LAN 2	Intel® I210 GigE LAN

PoE (M12)

LAN 3	GigE IEEE 802.3at (25.5W/48V) PoE* by Intel® I210 with Power On/Off Control
LAN 4	GigE IEEE 802.3at (25.5W/48V) PoE* by Intel® I210 with Power On/Off Control
LAN 5	GigE IEEE 802.3at (25.5W/48V) PoE* by Intel® I210 with Power On/Off Control
LAN 6	GigE IEEE 802.3at (25.5W/48V) PoE* by Intel® I210 with Power On/Off Control

* 4 M12 Connectors (IVH-9200M)

Software Support

OS	Windows 10, Windows 8.1, Windows 7, Linux
-----------	---

Others

TPM	Optional Infineon SLB9665 supports TPM 2.0, LPC Interface
Watchdog Timer	Reset : 1 to 255 sec./min. per step
Smart Management	Wake on LAN, PXE supported
HW Monitor	Monitoring temperature, voltages. Auto throttling control when CPU overheats.

Mechanical

Dimensions (WxLxH)	260mm x 215mm x 79mm (10.2" x 8.5" x 3.1")
Weight	4.5 kg (9.92 lb)
Mounting	<ul style="list-style-type: none"> • Wallmount by mounting bracket • DIN Rail Mount (Optional) • 2U Rackmount (Optional)

Environment

Operating Temp.	35W TDP CPU : E3-1268L v5, i7-6700TE, i5-6500TE, i3-6100TE : -40°C to 75°C (-40°F to 167°F) 65W TDP CPU : i7 6700, i5-6500, i3-6100 : -40°C to 55°C (-40°F to 131°F) 80W TDP CPU : E3-1275 v5, E3-1225 v5 : -40°C to 50°C (-40°F to 122°F)
Storage Temperature	-40°C to 85°C (-40°F to 185°F)
Humidity	5% to 95% humidity, non-condensing
Relative Humidity	95% @ 70°C
Shock	<ul style="list-style-type: none"> • IEC 60068-2-27 • SSD : 50G @ wallmount, Half-sine, 11ms • IEC 60068-2-64 • SSD : 5Grms, 5Hz to 500Hz, 3 Axis
Vibration	
EMC	CE, FCC, EN50155, EN50121-3-2

Order Information

- | | |
|---|--|
| <ul style="list-style-type: none"> IVH-9200M IVH-9200 E3-1275 v5 E3-1225 v5 E3-1268L v5 i7-6700 i7-6700TE i5-6500 i5-6500TE i3-6100 i3-6100TE DDR4 16G DDR4 8G DDR4 4G PWA-280W-WT PWA-160W-WT VESA Mount DIN-RAIL Rack Mount TMK2-20P-100 TMK2-20P-500 TMB-TMBK-20P 3G Module 4G Module WiFi & Bluetooth Module | <ul style="list-style-type: none"> • IVH-9200, 6 GigE LAN w/4 M12 PoE*, 4 SSD Tray, 8 USB 3.0, 4 COM, 1 M2DOM, 3 SIM, 32 Isolated DIO • IVH-9200, 6 GigE LAN w/4 PoE*, 4 SSD Tray, 8 USB 3.0, 4 COM, 1 M2DOM, 3 SIM, 32 Isolated DIO • 6th Gen Intel® Xeon® E3-1275 v5 Processor (8M Cache, up to 4.00 GHz, 80W) • 6th Gen Intel® Xeon® E3-1225 v5 Processor (6M Cache, up to 3.70 GHz, 80W) • 6th Gen Intel® Xeon® E3-1268L v5 Processor (8M Cache, up to 3.40 GHz, 35W) • 6th Gen Intel® Core™ i7-6700 Processor (8M Cache, up to 4.00 GHz, 65W) • 6th Gen Intel® Core™ i7-6700TE Processor (8M Cache, up to 3.40 GHz, 35W) • 6th Gen Intel® Core™ i5-6500 Processor (6M Cache, up to 3.60 GHz, 65W) • 6th Gen Intel® Core™ i5-6500TE Processor (6M Cache, up to 3.30 GHz, 35W) • 6th Gen Intel® Core™ i3-6100 Processor (3M Cache, 3.70 GHz, 65W) • 6th Gen Intel® Core™ i3-6100TE Processor (4M Cache, 2.70 GHz, 35W) • Certified DDR4 16GB 2133MHz RAM • Certified DDR4 8GB 2133MHz RAM • Certified DDR4 4GB 2133MHz RAM • 280W, 24V, 85V AC to 264V AC Power Adapter with 3-pin Terminal Block, Wide Temperature -30°C to +70°C • 160W, 24V, 85V AC to 264V AC Power Adapter with 3-pin Terminal Block, Wide Temperature -30°C to +70°C • VESA Mounting Kit • DIN Rail Kit • 2U Rackmount Kit • Terminal Block 20-pin to Terminal Block 20-pin Cable, 100cm • Terminal Block 20-pin to Terminal Block 20-pin Cable, 500cm • Terminal Board with One 20-pin Terminal Block Connector and DIN-Rail Mounting • Mini PCIe 3G/GPS Module with Antenna • Mini PCIe 4G/GPS Module with Antenna • Intel® Mini PCIe WiFi & Bluetooth Module with Antenna |
|---|--|

IVH-9200-20170103