

IOPS-Q67/H61

Intel® OPS Compliant Digital Signage Pluggable Module PC

Features

- ◆ Designed for pin compliance with Intel® OPS (Open Pluggable Specification)
- ◆ Supports DisplayPort, UART, USB 2.0
- ◆ Intel® HD Graphics with Full HD video decoding capability
- ◆ Intel® Q67/H61 platform



Specifications

Model Name		IOPS-H61	IOPS-Q67
Chassis	Color	Black	Black
	Dimension (WxDxH)	200 x 171 x 30	200 x 171 x 30
	System Fan	1 x 60 mm	1 x 60 mm
	Chassis Construction	Aluminum Alloy	Aluminum Alloy
Motherboard	CPU	Intel® Celeron Dual Core G530 2.4 GHz, 65W	Intel® Dual Core i5-2390T 2.7 GHz, 35W
	Chipset	Intel® H61	Intel® Q67
	System Memory	1 x 204-pin DDR3 SO-DIMM 1333 MHz Pre-installed 4GB (System Max : 8GB)	1 x 204-pin DDR3 SO-DIMM 1333 MHz Pre-installed 4GB (System Max : 8GB)
Storage	Msata	32GB	32GB
I/O interfaces	USB 2.0	2	2
	Ethernet	1 x RJ-45 Intel® 82579LM Gbe	1 x RJ-45 Intel® 82579LM Gbe with Intel® AMT 7.0 support
	RS-232	1 x RJ45	1 x RJ45
	Display	1 x DisplayPort 1.1	1 x DisplayPort 1.1
	Resolution	OPS display : Up to 1920 x 1200 DisplayPort : Up to 2560 x 1600	OPS display : Up to 1920 x 1200 DisplayPort : Up to 2560 x 1600
	Audio	1 x Line-out	1 x Line-out
	Other	1 x SDHC card	1 x SDHC card
	Wireless	1 x 802.11 b/g/n (optional)	1 x 802.11 b/g/n (optional)
Expansions	PCIe Mini	1 x Full size (default mSATA 32GB)	1 x Full size (default mSATA 32GB)
Power	Power Input	12~19V DC	12~19V DC
	Power Consumption	12V@3.83A	12V@3.83A
Reliability	Mounting	OPS module PC	OPS module PC
	Operating Temperature	0°C ~45°C with air flow	0°C ~45°C with air flow
	Operating Shock	Half-sine wave shock 3G, 11ms, 3 shocks per axis	Half-sine wave shock 3G, 11ms, 3 shocks per axis
	Operation Vibration	MIL-STD-810F 514.5C-2 with mSATA	MIL-STD-810F 514.5C-2 with mSATA
	Weight (Net/Gross)	1.2Kg/2.4Kg	1.2Kg/2.4Kg
	Safety / EMC	CE/FCC/LVD	CE/FCC/LVD
OS	Supported OS	Microsoft® Windows 7, Microsoft® WES7	Microsoft® Windows 7, Microsoft® WES7

OPS (Open Pluggable Specification) module PC can be inserted into any OPS compatible display to satisfy customers' various requirements.

Compatible Display Model

Display Brand	Display Model
NEC	X461S (46")
TVS	DS-42 (42")
TPV	DS4210MC (42")
Philips	BDL-4245E (42")
Mitsubishi	MDT551S (55")
eJump	PX420CHN-OPS (42")



1

Industrial Computing Solutions

2

Video Capture Solutions

3

Embedded Computing Solutions

4

ORing Network Communication

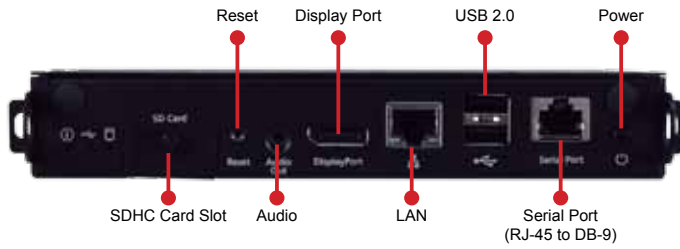
5

Power Supply/Peripherals

6

Panel Solutions Introduction

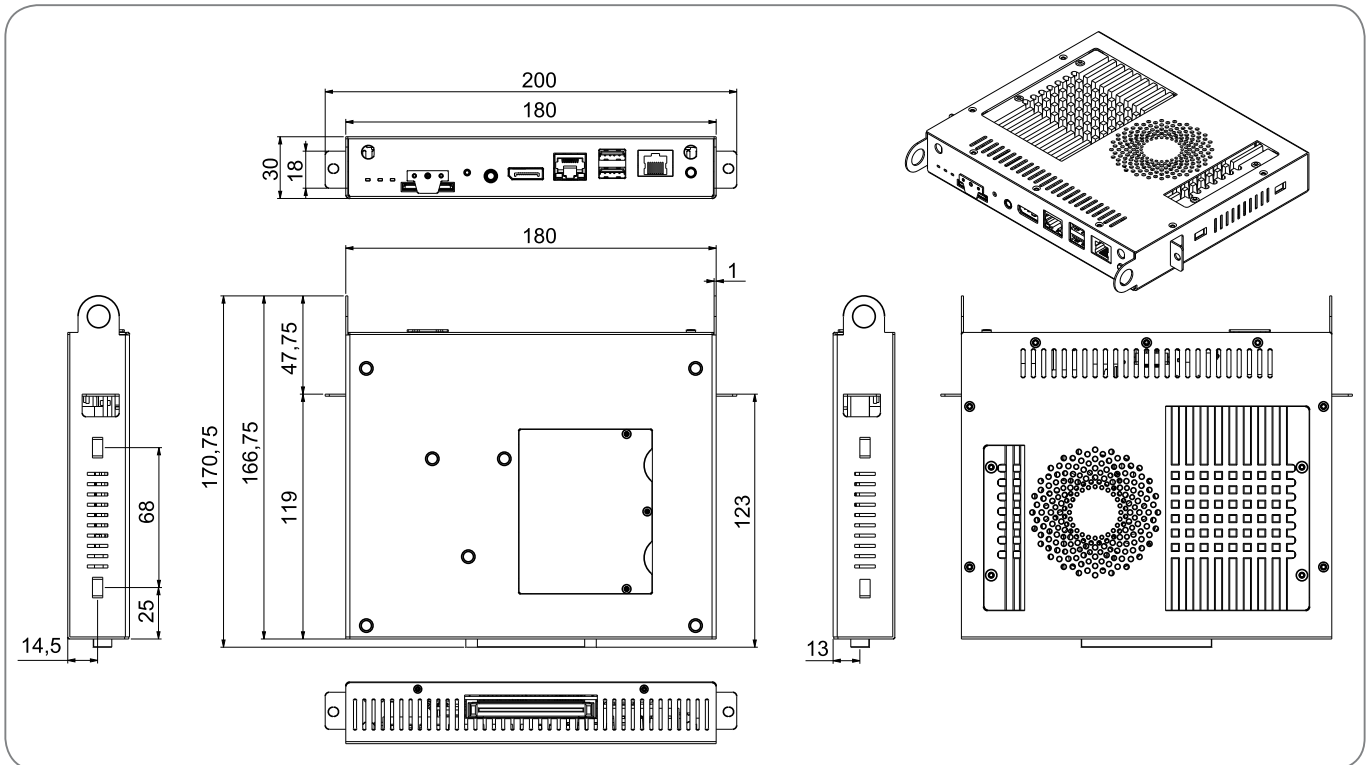
Front View



Rear View



Dimensions (Unit: mm)



Ordering Information

Part No.	Description
IOPS-H61-C-4GB-R10	OPS Module PC, Intel® Celeron G530 2.4GHz, TDP 65W, 4GB DDR3 SO-DIMM pre-installed, mSATA 32GB, DisplayPort, Intel® GbE, JAE 80-pin connector, USB2.0, serial port, SDHC card slot, HD Audio, 0°C~45°C, R10
IOPS-Q67-I5-4GB-R10	OPS Module PC, Intel® i5-2390T 2.7GHz, TDP 65W, 4GB DDR3 SO-DIMM pre-installed, mSATA 32GB, DisplayPort, Intel® GbE, JAE 80-pin connector, USB2.0, serial port, SDHC card slot, HD Audio, 0°C~45°C, R10

Options

Item	P/N	Description
OS: Win 7 Embedded	IOPS-Q67-WES7E-R10	OS Image with Windows® Embedded Standard 7 E, for IOPS-Q67/H61 series

Packing List

Item	Qty	Description
Utility CD	1	Drivers and user manual
One Key Recovery CD	1	
RS-232 cable (RJ-45 to DB-9)	1	

- 1 Industrial Computing Solutions
- 2 Video Capture Solutions
- 3 Embedded Computing Solutions
- 4 ORing Network Communication
- 5 Power Supply/Peripherals
- 6 Panel Solutions Introduction