



## Features

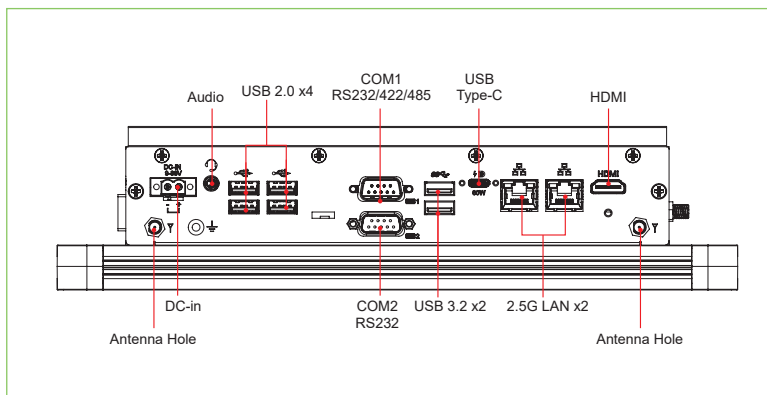
- Intel® Atom® x7000E Series / N-series / Core™ 3 N355 Processors
- Compliance with 6mm T and V-Slot™ Standard Groove
- 12.1" flat LCD panel with projected capacitive touchscreen
- IP65 Front Panel Waterproof Design
- Rich I/O supports 2x COM, 4x Optional Power COM, 4x DI, 4x DO, USB Type-C with PD 60W Alternate mode and 6x USB (2x USB 3.2 + 4x USB 2.0)
- Supports M.2 sockets for Wi-Fi / BT and 4G/5G communication with a Nano SIM slot
- Supports hardware TPM2.0 security
- Wide Range Power Input DC-in +9V ~ 36V DC-in

## Specifications

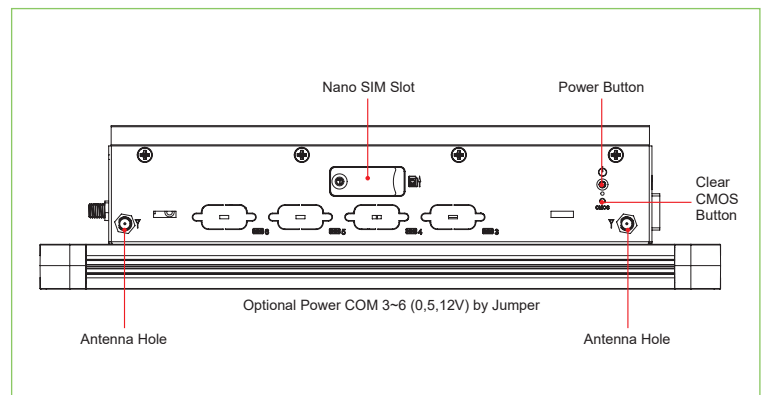
Display & Touch Screen	Display Size	12.1"
	Max. Resolution	1024 x 768
	Luminance (cd/m2)	500
	Contrast	1000:1
	Max. Color	16.7M
	View Angle (H/V)	178/178
	Backlight Lifetime(hrs)	30,000
	Touch Type	Projected capacitive
	Touch Interface	USB
	Light Transmission (%)	85
Point of touch	Up to 10	
System	Processor	Intel® Atom™ N97 Processor (4 Cores) up to 3.6G Intel® Atom™ N150 Processor (4 Cores) up to 3.6G Intel® Core™ i3 N305 Processor (8 Cores) up to 3.8G Intel® Core™ 3 N355 Processor (8 Cores) up to 3.9G Intel® Atom™ X7835RE Processor (8 Cores) up to 3.6G
	Memory	1x DDR4 SO-DIMM, up to 16GB
	Thermal Design	Fanless
	Membrane Control	None
	Built-in Speaker/Mic	None
Expansion	Internal Expansion Bus	1x M.2 2280 (M-key + B-key) 1x M.2 2230 (E-key) 1x M.2 3043 (B-key)
	Expansion Slot	N/A
	Wireless	Optional Wi-Fi/BT/4G/5G/LTE
Storage Space	HDD	N/A
	Removable	N/A

I/O Interface	USB 3.0	2x USB 3.2 1x USB Type-C (Alternate mode w/ PD 60W)
	USB 2.0	4
	RS-232/422/485 Selectable via BIOS	COM 1
	RS-232	COM2 and optional 3~6
	LAN	2x GbE
	Additional Graphics	HDMI 1x USB-C (DP Alternate mode)
	Audio	Combo Jack
	Digital I/O	4x DI and 4x DO
	Power Connector	2-pin bare-wire DC-in & GND screw
	Power Button	Tact Switch
Power	Power Input Range	DC +9V~36V
Mechanical	Dimensions (mm)	303.4 x 242 x 72.9
	Net Weight (kgs)	3.6
Environmental	Operating Temperature	N97, N305 and N305: -20°C~50°C (-4°F~122°F) N150: -20°C~70°C (-4°F~158°F) *with airflow x7835RE: -30°C~60°C (-22°F~140°F) *with airflow
	Storage Temperature	-30~80°C (-22°F~176°F)
	Storage Humidity	10%~90% (non-condensing)
	Certification	CE/FCC Class-B and LVD
	Supported Operating Systems	Windows 10, 11 / Linux Kernel 4+
Construction	Chassis Material	Aluminum and SGCC
	Color (Front/Back)	Gray / Black
	IP Rating	IP66 front-panel waterproof protection
	Mounting	VESA 75x75 and 100x100 mm, Panel Mount and optional side mount

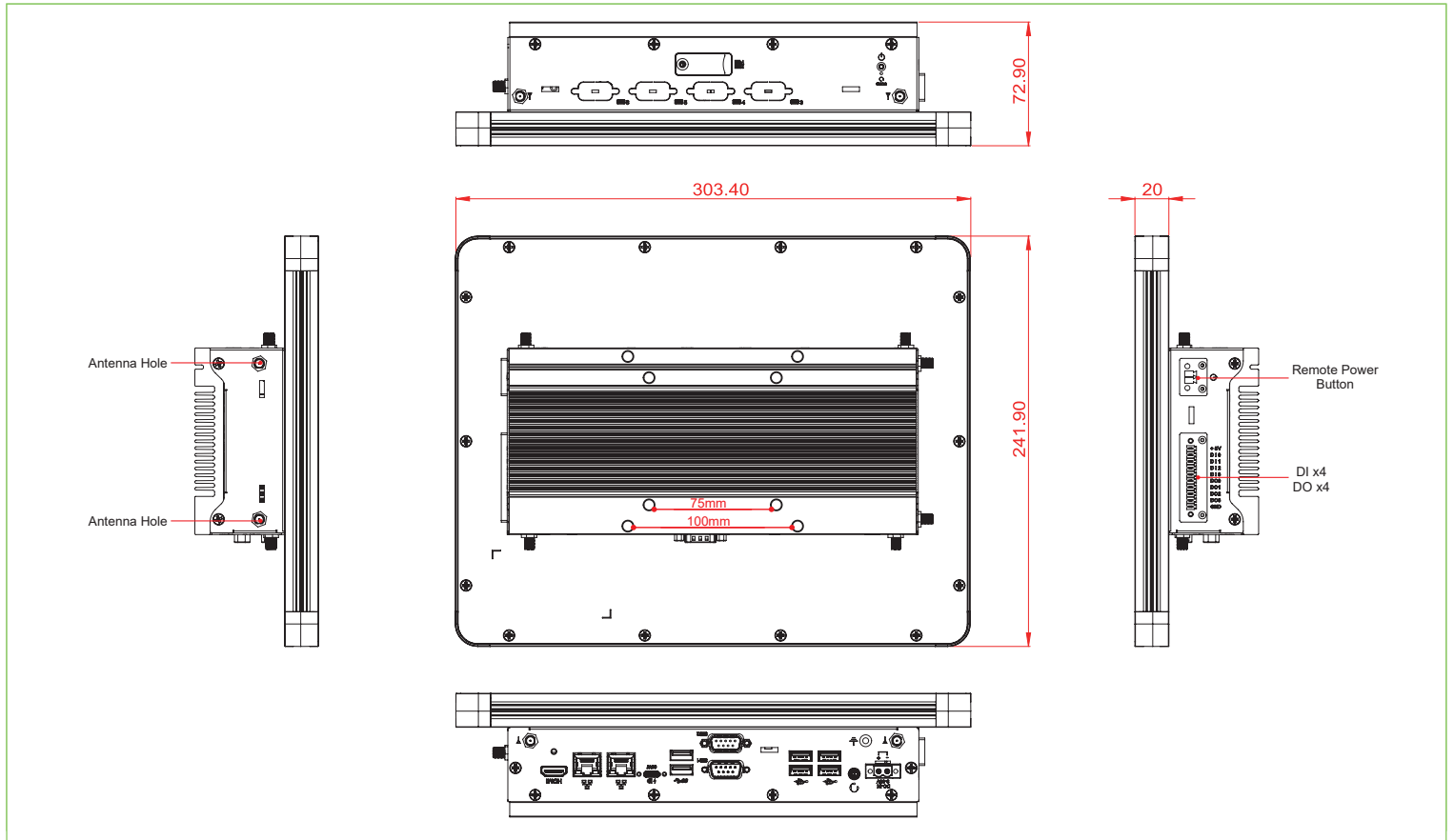
## Rear External I/O



## Front External I/O



## Dimensions



## Ordering Information

Model Number	CPU	RAM	Storage	Display	LAN	USB	COM Ports	Audio	M.2 or Mini PCIe	Power Input	Note
IPPC-121-N97-M	Intel® Atom™ N97 Processor	N/A	N/A	1x HDMI	2x 2.5G	4x USB 2.0 2x USB 3.2 1x USB-C	2	1	3	DC-in +9V~36V	USB Type-C Supports PD 60W
IPPC-121-N150-M	Intel® Atom™ N150 Processor										
IPPC-121-N305-M	Intel® Core™ i3 N305 Processor										
IPPC-121-N355-M	Intel® Core™ 3 N355 Processor										
IPPC-121-7835-M	Intel® Atom™ x7835RE Processor										

## Packing List

Part Number	Description	Qty.
-	IPPC-121 series Panel PC	1
D2MANUAL--0000100P	Manuals & Driver download instructions	1
C12162ESD02105000P	DC-in Dinkle bare wire converter	1
C1216EC3802103000P	POWER SW Dinkle bare wire converter	1
C1216EC3810103000P	DIO Dinkle bare wire converter	1
H03320M5010101000P	M5 T-Nut for T/V slot	10

## Optional Items

Part Number	Description	Qty.
A005PS090W0100710P	AC 100V~240V Adaptor 90W DC 24V/3.75A	1
A005PS180W0100800P	AC 100V~240V Adaptor 180W DC 24V/7.5A	1
A030PCEUR03000000P	EU AC Power Cord (183CM)	1
A030PCEN020100000P	UK AC Power Cord (183CM)	1
A030PCAM040100000P	US AC Power Cord (183CM)	1
A030PCJP050001000P	JP AC Power Cord (183CM)	1
H06Z01RAAMS3XX00AP	DIN-Rail Kit with screw	1
C501PK15609202B00P	CBL;PK1-56B 2-HD 9C (10CM) for COM 3,4	2
C501PK15609202000P	CBL;PK1-56 2-HD 9C (25CM) for COM 5,6	2
SC3IPPLW156A10100R	Panel Mount KIT	1

- When connecting to an IPPL high-brightness >700nits or using it in a high-temperature >45°C environment for a long time, please choose 180W.



- Other panel size requirements. Please contact sales.