



## Features

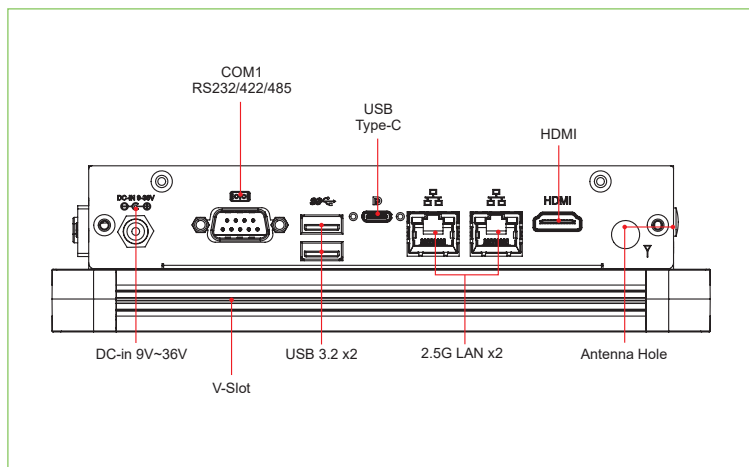
- Compliance with 6mm T and V-Slot™ Standard Groove
- 7" flat LCD panel with projected capacitive touchscreen
- IP66 Front Panel Waterproof Design
- Intel® Atom® N150 / N97 / Core™ 3 N355 Processors (formerly Twin Lake)
- I/O supports COMx2, USB 3.2x2 USB Type-C Alternate mode
- Supports M.2 sockets for Wi-Fi / BT and 4G/5G communication with Nano SIM slot
- Supports TPM2.0 hardware security
- Extended operating temperature -20°C to 70°C
- Wide Range Power Input DC-IN +9V ~ 36V

## Specifications

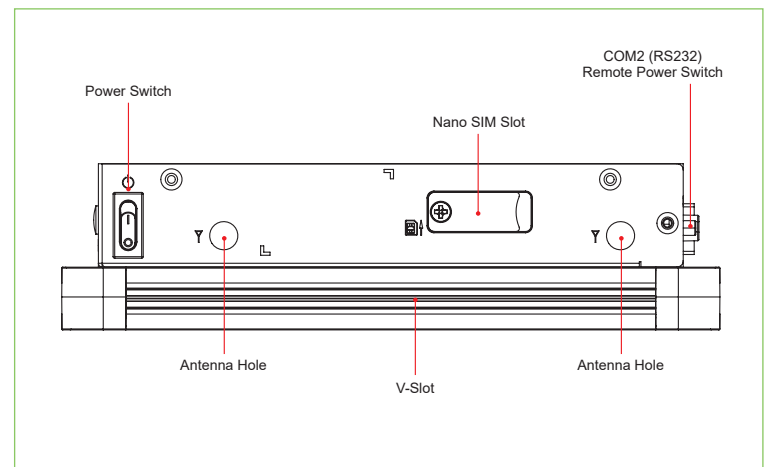
Display & Touch Screen	Display Size	7 (15:9)
	Max. Resolution	800 x480 (15:9)
	Luminance (cd/m2)	500
	Contrast	800 : 1
	Max. Color	16.7M
	View Angle (H/V)	178° / 178°
	Backlight Lifetime(hrs)	50,000
	Touch Type	Projected Capacitive touch
	Touch Interface	USB
	Light Transmission (%)	85±2.5%
	Point of touch	Up to 10
System	Processor	Intel® Atom® N150 Processor(Quad-Core) Intel® Atom® N97 Processor(Quad-Core) Intel® Core™ N355 Processor(Quad-Core)
	Memory	1x DDR5 SO-DIMM, up to 16GB
	Thermal Design	Fanless
	Membrane Control	None
	Built-in Speaker/Mic	None
Expansion	Internal Expansion Bus	1x M.2 2280 (M Key) 1x M.2 2230 (E-Key) 1x M.2 3052 (B-Key)
	Expansion Slot	N/A
	Wireless	Optional Wi-Fi/BT/4G/5G/LTE
Storage Space	HDD	SDD:1x M.2 2280 (M-Key)
	Removable	RAID Mode 0,1: M.2 2280 + M.2 2242 (10mm adapter to M.2 3052)

I/O Interface	USB 3.0	2x USB 3.2, 1x USB Type-C
	USB 2.0	N/A
	RS-232/422/485 Selectable via BIOS	COM 1 Selectable in BIOS
	RS-232	COM 2
	LAN	2x 2.5GbE
	Additional Graphics	HDMI 1x USB-C (DP Alternate mode)
	Audio	None
	Digital I/O	None
	Power Connector	DC Jack with screw lock
	Power Button	Rocker Switch
Power	Power Input Range	DC +9V~36V
Mechanical	Dimensions (mm)	210 x 149 x 53
	Net Weight (kgs)	3.0 kgs
Environmental	Operating Temperature	-20°C~70°C for N150 with air flow -20°C~50°C for N97 -20°C~40°C for N355
	Storage Temperature	-30~80°C
	Storage Humidity	5%~90% @ 50°C (non-condensing)
	Certification	CE/FCC Class-B
	Supported Operating Systems	Microsoft Windows 10,11, Linux Kernel 4+
Construction	Chassis Material	Aluminum and SGCC
	Color (Front/Back)	Gray / Gray
	IP Rating	IP66 front-panel waterproof
	Mounting	VESA 75x75 and 100x100 mm, side mount and optional Panel Mount

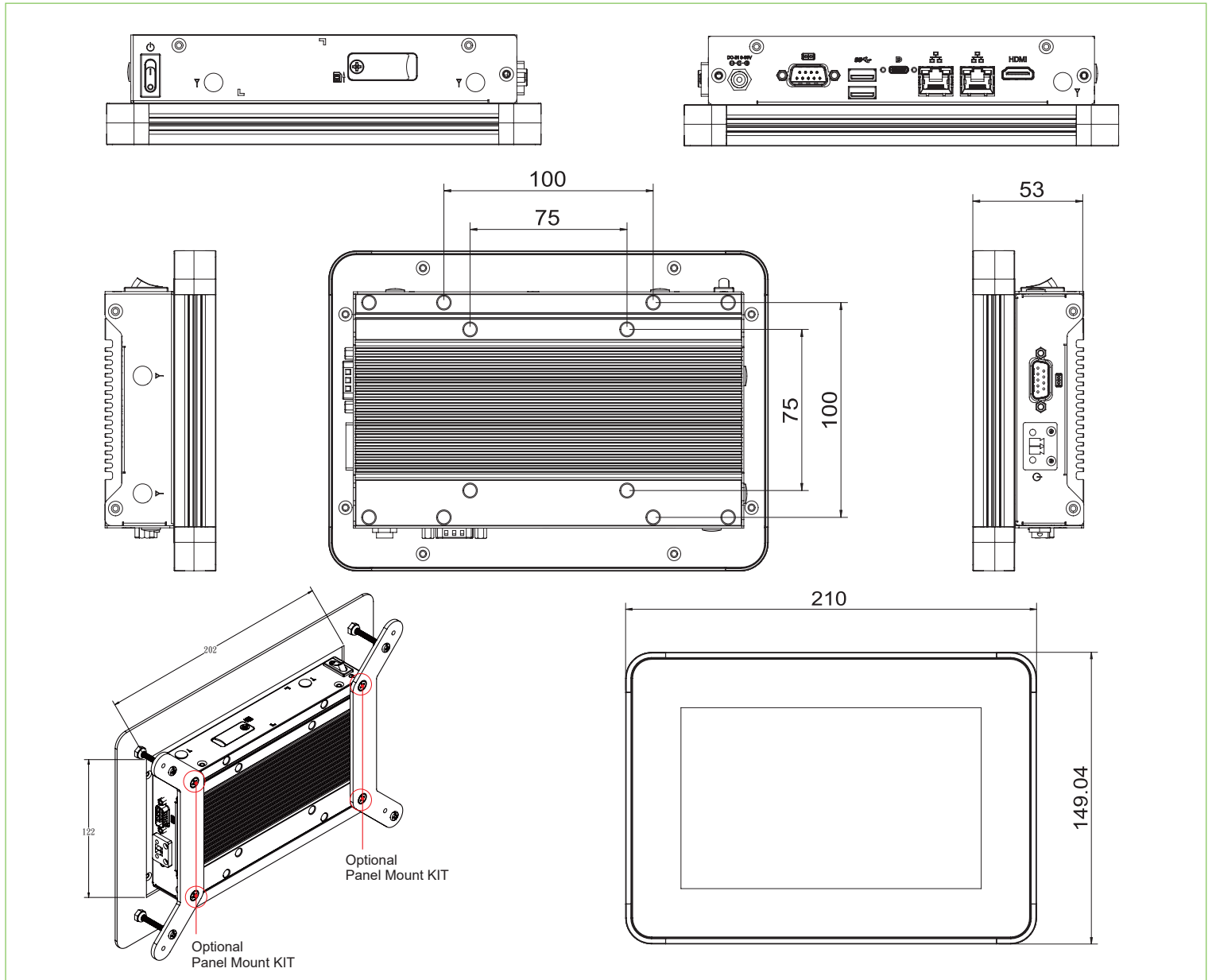
## Rear External I/O



## Front External I/O



## Dimensions



## Ordering Information

Model Number	CPU	Display	LAN	USB	COM Ports	Combo Audio	M.2	Power Input	Note
IPPC-W07-N150	Intel® ATOM® N150 (Quad-Core)	1x HDMI	2x 2.5G	2x USB 3.2 1x USB-C	2	N/A	3	DC-IN +9~36V	USB Type-C 5V/3A
IPPC-W07-N97	Intel® ATOM® N97 (Quad-Core)								
IPPC-W07-N355	Intel® ATOM® N355 (Quad-Core)								

- Other panel size requirements. Please contact sales.

## Packing List

Part Number	Description	Qty.
-	IPPC-W07 Panel PC	1
D2MANUAL--0000100P	Manuals & Driver download instructions	1
A005PS050W0103000P	W/LOCK [FSP FSP050-DHAC3] 12V/50W	1
C1216EC3802103000P	POWER SW Dinkle bare wire converter	1
H03320M5010101000P	M5 T-Nut for T/V slot	8

## Optional Items

Part Number	Description	Qty.
SC3IPPLW156A10100R	Panel Mount KIT with screw	1
A030PCEUR03000000P	EU AC Power Cord (183CM)	1
A030PCEN020100000P	UK AC Power Cord (183CM)	1
A030PCAM040100000P	US AC Power Cord (183CM)	1
A030PCJP050001000P	JP AC Power Cord (183CM)	1