

PPC-238

One Panel,
Endless Possibilities



Features

- Support Intel® Celeron, i3 & i5 CPU
- 10 points PCAP multi-touch support.
- Intel F/W TPM 2.0.
- Front IP65, Fanless System & VESA Compliance.
- WiFi/BT module (Project based).
- Extension Module design (Project based).



Intel® Core™ i
CPU



Advanced
Cooling



Metal
Chassis



Front IP65
Spill Proof

Technical Specifications

System Information

PE24

Intel® Elkhart Lake Celeron

PE26

Intel® Alder Lake-P, U-Platform

- Core i7 up to 4.7 GHz (Project Based)
- Core i5 up to 4.4 GHz
- Core i3 up to 4.4GHz

System Memory

- PE24: 1 x SO-DIMM DDR4 slot, 8GB RAM as standard. Max. memory support up to 16GB
- PE26: 1 x SO-DIMM DDR5 slot, 8GB RAM as standard. Max. memory support up to 32GB

Intel® AMT

- i5/i7 CPU

TPM

- Intel® F/W TPM 2.0

Display & Touch

- 23.8" Full HD Display, resolution 1920x1080
- 350cd/m², LED backlight
- 10-point PCAP multi-touch screen

Storage

- PE24: 1 x M.2 PCIe SSD
- PE26: 1 x M.2 PCIe SSD or 2 x 2.5" SSD for RAID 0/1 (Project based)

Expansion

- 1 x M.2 E Key (for WiFi/BT project based)

Connectivity

- 3 x USB 2.0, 3 x USB 3.1
- 2 x RJ-48 COM Ports (Support DC+0/5/12V by BIOS setting, default is 0V)
- 1 x Type C (DP+PD)
- 1 x RJ45 Gigabit Ethernet support 10/100/1000M, WOL, PXE
- 1 x RJ11 support DC+12V or 24V (default) by jumper setting, support 2 cash drawers
- 1 x 4-pin DIN with lock for DC-IN
- 2 x DB9 COM Ports

Audio

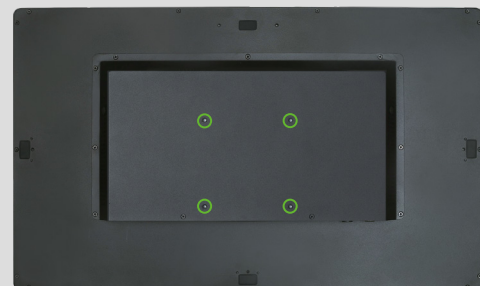
- 2 x 2W speaker

Where Sharp Visuals Meet Smooth Interaction



Built for Diverse Installations

Celeron



VESA ● 100 x100

i3 i5



VESA ● 75 x75
● 100 x100

Power Requirement

- Input: 100 ~ 240Vac/ 50 ~ 60Hz
- Output: DC+19V, 90W AC to DC Adapter

Mechanical & Construction

- Front panel IP65
- System fan: Fanless operation
- Weight (NW/GW): 8.2 Kgs / 10 Kgs
- Dimension (WxHxD): 573.36 x 342.59 x 56.89 mm
- Mounting: Wall / Pole / VESA 100x100
- Construction: Aluminum frame with sheet metal chassis

Environmental

- Operating temperature: 0°C ~ 40°C, 10% ~ 90% Relative Humidity, Non-condensing
- Storage Temperature: -20°C ~ 60°C, 10% ~ 90% Relative Humidity, Non-condensing

Certification

- CE/FCC/LVD

OS Support

- Windows 10/11 (64 bit), Linux (Ubuntu 22.04)

Rich I/O



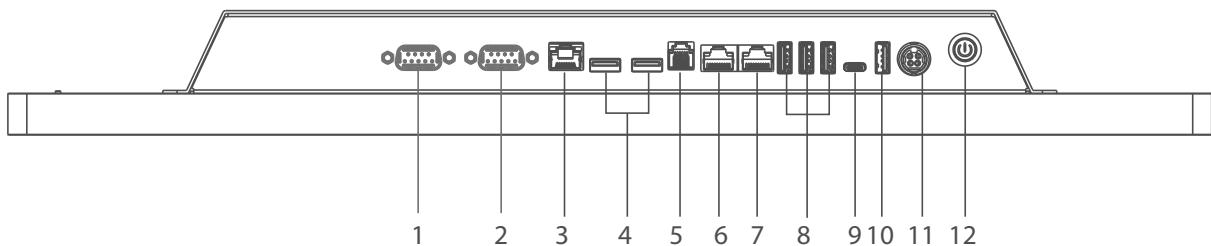
Stand



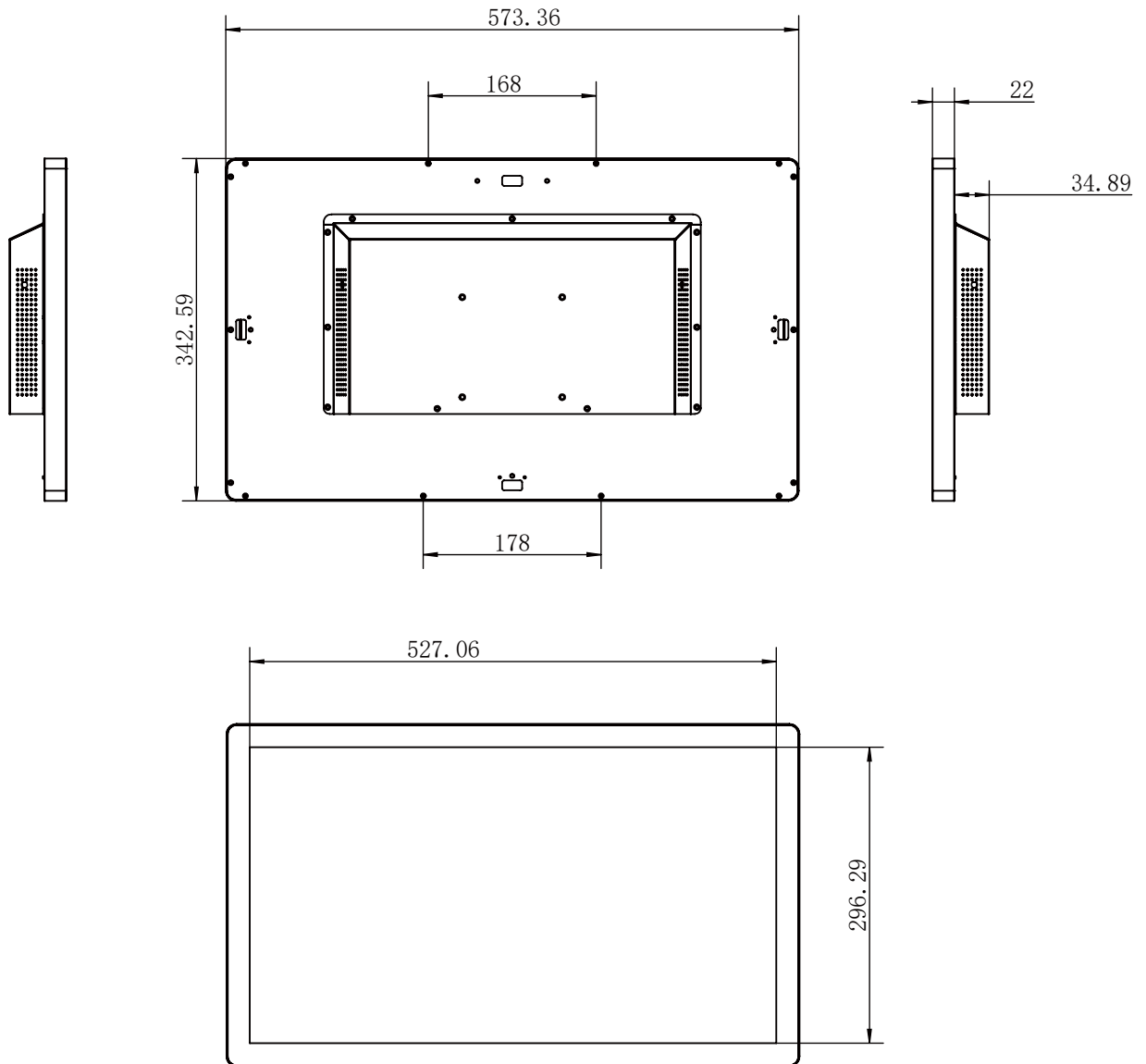
Wall, Pole, Ceiling mount



- | | |
|----------------|------------------|
| 1. COM4 | 7. COM1 |
| 2. COM3 | 8. USB 2.0 |
| 3. LAN | 9. Type C |
| 4. USB 3.0 | 10. USB 3.0 |
| 5. Cash Drawer | 11. DC19V |
| 6. COM2 | 12. Power switch |



Dimension



Poindus Systems Corp. Headquarters

5F, No.59, Ln. 77, Xing-Ai Rd., Neihu Dist.,
Taipei City 114, Taiwan. R.O.C

+886 2 7721 4688

www.poindus.com

sales@poindus.com

Varlink Limited

Unit 1 Osbaldwick Industrial Estate,
Outgang Lane, York, YO19 5UX, UK.

+44 1904 717180

www.varlink.co.uk

ADASYS GmbH

Max-Planck-Str. 10 70806
Kornwestheim, Deutschland

+49 7154 83000

www.adasys.de