

# PPC-238 Medical

One Panel,  
Endless Possibilities



## Features

- Onboard Intel® Raptor Lake Refresh Core3, Core5
- 10 points PCAP multi-touch support
- Intel F/W TPM 2.0
- Comply with EN 60601-1 / EN 60601-1-2
- Front panel IP65 ingress protection
- Fanless system for silent, reliable operation
- VESA compliance for flexible installation
- WiFi/BT module (Project based)



Intel Core  
CPU



Advanced  
Cooling



Metal  
Chassis



Front IP65  
Spill Proof

# Technical Specifications

## System Information

Intel® Core Processor Series 1 (Raptor Lake Refresh)

- Core5 120U up to 5GHz
- Core3 100U up to 4.7GHz

## System Memory

- 1 x SO-DIMM DDR5 slot, 8GB RAM as standard. Max. memory support up to 32GB

## Intel® AMT (vPRO Essential)

- i5 CPU

## TPM

- Intel® F/W TPM 2.0

## Display & Touch

- 23.8" Full HD Display, resolution 1920x1080
- 350cd/m<sup>2</sup>, LED backlight
- 10-point PCAP multi-touch screen

## Storage

- 1 x M.2 PCIe SSD

## Expansion

- 1 x M.2 E Key (for WiFi/BT project based)

## Connectivity

- 3 x USB 2.0, 3 x USB 3.1
- 2 x RJ-48 COM Ports (Support DC+0/5/12V by BIOS setting, default is 0V)
- 1 x HDMI Port
- 1 x Type C (DP+PD)
- 1 x RJ45 Gigabit Ethernet support 10/100/1000M, WOL, PXE
- 1 x RJ11 support DC+12V or 24V (default) by jumper setting, support 2 cash drawers
- 1 x 4-pin DIN with lock for DC-IN
- 1 x RJ45 Ethernet support 10/100Mbps, USB interface (Project based)

## Audio

- 2 x 2W speaker

## Power Requirement

- Input: 100 ~ 240Vac/ 50 ~ 60Hz
- Output: DC+19V, 90W AC to DC Adapter (External)

## Where Sharp Visuals Meet Smooth Interaction



## Built for Diverse Installations

i3 i5



VESA

● 75 x75

● 100 x100

## Peripheral

- 3-Track MSR, USB type
- iButton reader, USB type
- 13.56MHz RFID reader, USB type
- Fingerprint reader, USB type
- 2D Scanner, USB type
- 10.1" 16:10 @ 1280 x 800 2nd screen

## Mechanical & Construction

- Front panel IP65
- System fan: Fanless operation
- Weight (NW/GW): 8.2 Kgs / 10 Kgs
- Dimension (WxHxD): 573.36 x 342.59 x 56.89 mm
- Mounting: Wall / Pole / VESA 75x75, 100x100
- Construction: Aluminum frame with sheet metal chassis

## Environmental

- Operating temperature: 0°C ~ 40°C, 10% ~ 90% Relative Humidity, Non-condensing
- Storage Temperature: -20°C ~ 60°C, 10% ~ 90% Relative Humidity, Non-condensing

## Certification

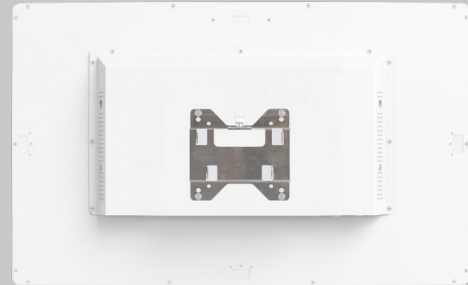
- CE/FCC/LVD
- Comply with EN 60601-1 / EN60601-1-2

## OS Support

- Windows 10/11 (64 bit), Linux (Ubuntu 22.04)



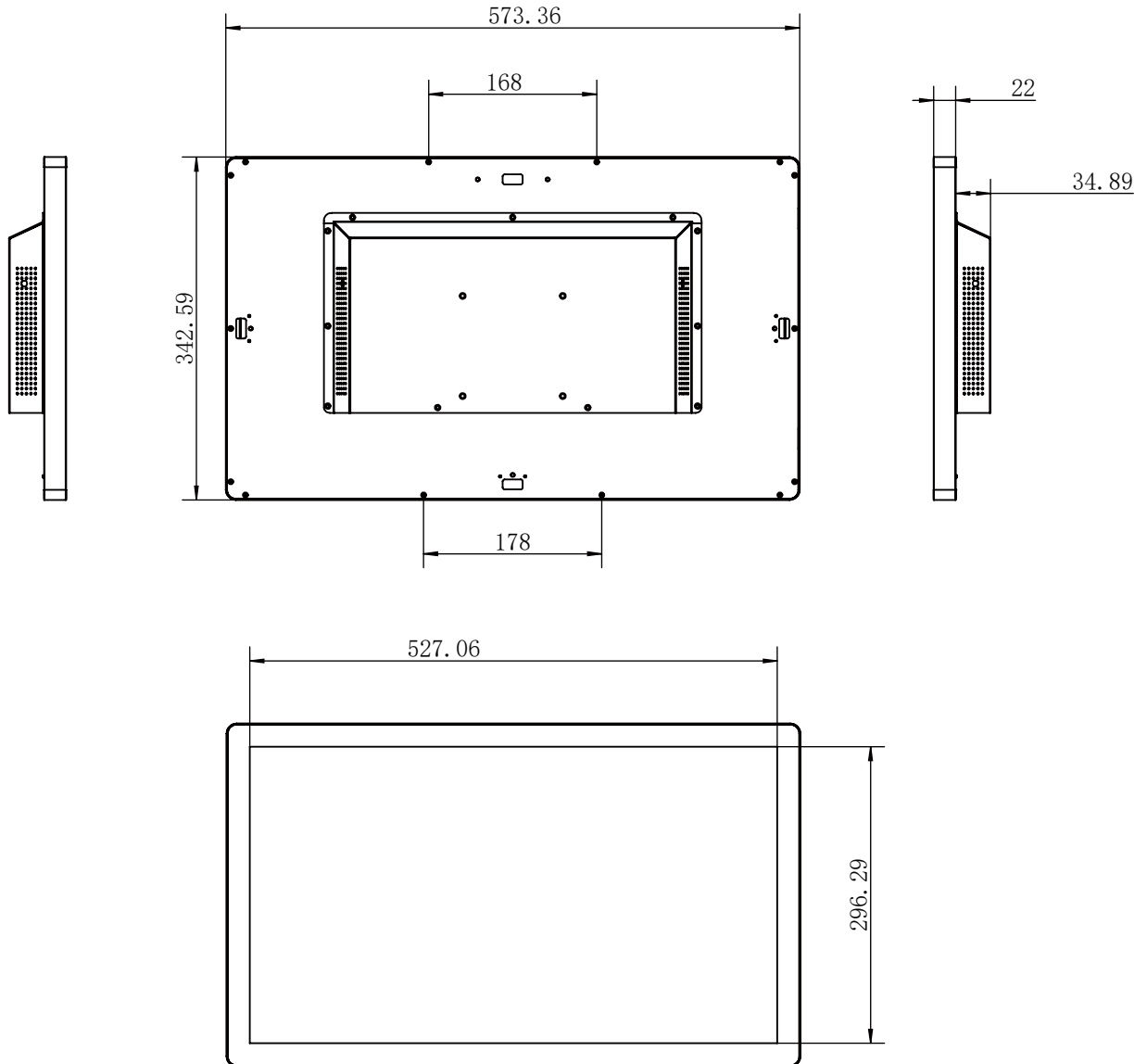
Wall mount



Pole mount, Ceiling mount



## Dimension



Unit : mm

### Poindus Systems Corp. Headquarters

5F, No.59, Ln. 77, Xing-Ai Rd., Neihu Dist.,  
Taipei City 114, Taiwan. R.O.C

+886 2 7721 4688

[www.poindus.com](http://www.poindus.com)

[sales@poindus.com](mailto:sales@poindus.com)

### Varlink Limited

Unit 1 Osbaldwick Industrial Estate,  
Outgang Lane, York, YO19 5UX, UK.

+44 1904 717180

[www.varlink.co.uk](http://www.varlink.co.uk)

### ADASYS GmbH

Max-Planck-Str. 10 70806  
Kornwestheim, Deutschland

+49 7154 83000

[www.adasys.de](http://www.adasys.de)