

# Panel PC

## SPPC-320



32"  
Stainless Steel  
Panel PC

## Features

- SUS 304 stainless steel enclosure with Ingress Protection.
- Smooth user interaction: Large 32" Full HD touchscreen for intuitive operation.
- Scalable performance: Intel processors from entry to high-performance use cases.
- Silent, low-maintenance operation: Fanless design reduces noise and downtime.
- OS versatility: Supports Windows and Linux, easing software integration.
- Rich I/O Interface with cable management & Ingress Protection.

# Technical Specifications

## System Information

### PE24

Intel® Elkhart Lake Celeron

### PE26

Intel® Alder Lake-P, U-Platform

- Core i7 up to 4.7 GHz (Project Based)
- Core i5 up to 4.4 GHz
- Core i3 up to 4.4GHz

### System Memory

- PE24: 1 x SO-DIMM DDR4 slot, 8GB RAM as standard. Max. memory support up to 16GB
- PE26: 1 x SO-DIMM DDR5 slot, 8GB RAM as standard. Max. memory support up to 32GB

### Intel® AMT

- i5/i7 CPU

### TPM

- Intel® F/W TPM 2.0

## Display & Touch

- 32" Full HD Display, resolution 1920x1080
- 250cd/m<sup>2</sup>, LED backlight
- 10-point PCAP multi-touch screen

## Storage

- PE24: 1 x M.2 PCIe SSD
- PE26: 1 x M.2 PCIe SSD or 2 x 2.5" SSD for RAID 0/1 (Project based)

## Expansion

- 1 x M.2 E Key (for WiFi/BT Communication Module, project based)

## Connectivity

- 3 x USB 2.0, 3 x USB 3.1
- 2 x RJ-48 COM Ports (Support DC+0/5/12V by BIOS setting, default is 0V)
- 1 x Type C (DP+PD)
- 1 x RJ45 Gigabit Ethernet support 10/100/1000M, WOL, PXE
- 1 x RJ11 support DC+12V or 24V (default) port by jumper setting, support 2 cash drawers
- 1 x 4-pin DIN with lock for DC-IN

## Audio

- 2 x 2W speaker

## Power Requirement

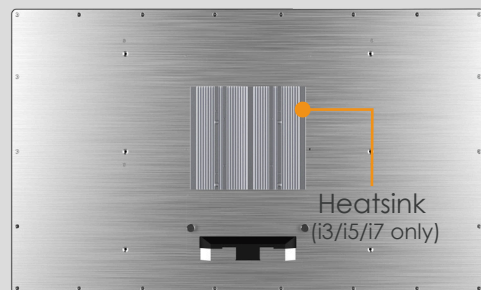
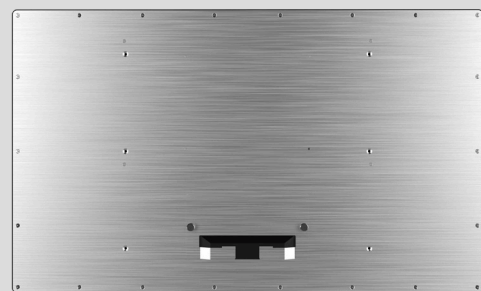
- Input: 100 ~ 240Vac/ 50 ~ 60Hz
- Output: DC+19V, 90W AC to DC Adapter



Large & Wide Touch-Display



Optional WiFi module



## Mechanical & Construction

- Full system IP65
- System fan: Fanless operation
- Weight (NW/GW): 23 Kgs / 25 Kgs
- Dimension (WxHxD): 765.6 x 460.6 x 62.3 mm
- Mounting: Wall / Pole / VESA 400x200 & 200x150
- Construction: Stainless Steel

## Environmental

- Operating temperature: 0°C ~ 40°C, 10% ~ 90% Relative Humidity, Non-condensing
- Storage Temperature: -20°C ~ 60°C, 10% ~ 90% Relative Humidity, Non-condensing

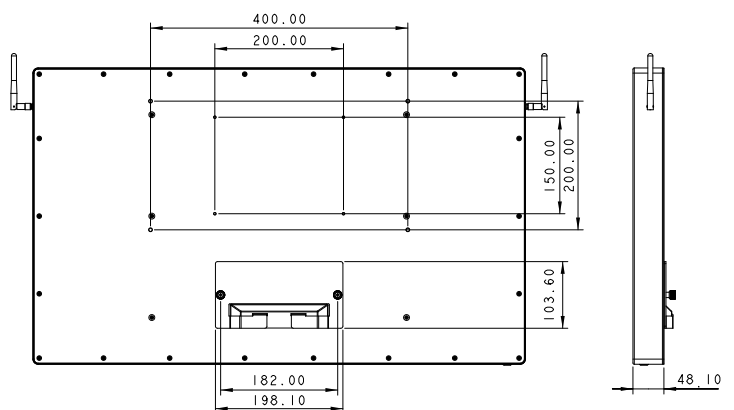
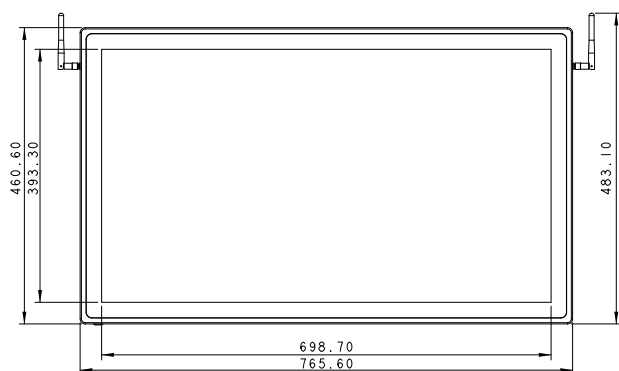
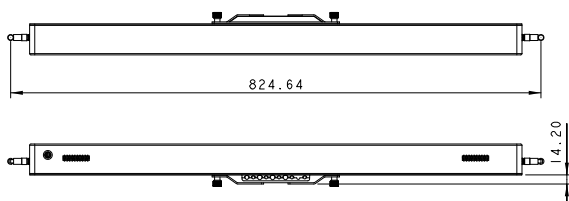
## Certification

- CE/FCC/LVD

## OS Support

- Windows 10/11 (64 bit), Linux (Ubuntu 22.04)

## Dimension



Unit: mm



## Poindus Systems Corp. Headquarters

5F, No.59, Ln. 77, Xing-Ai Rd., Neihu Dist.,  
Taipei City 114, Taiwan. R.O.C

- +886 2 7721 4688
- www.poindus.com
- sales@poindus.com

## Varlink Limited

Unit 1 Osbaldwick Industrial Estate,  
Outgang Lane, York, YO19 5UX, UK.

- +44 1904 717180
- www.varlink.co.uk

## ADASYS GmbH

Max-Planck-Str. 10 70806  
Kornwestheim, Deutschland

- +49 7154 83000
- www.adasys.de