

Poindus
COMPAL GROUP

VariPPC

VESA/Pole Compliant Mounting System

250/270 Series



Features



VESA/Pole Mountable Aesthetic Panel PC Meet Your Business Requirements

VariPPC 250/270 durability and flexibility meets demand with VESA Wall/ Pole mount options freeing space for hospitality & retail applications. Aesthetic appearance & slim panel can be configured as a Strategic Touch Point providing real time information to staff & customers.



Redefining Service

The PPC connects to the VariIO I/O Box by a single custom high speed USB Type C connector linking all devices simplifying cable management. The PPC can be removed leaving the VariIO I/O Box and peripherals in place by disconnecting a single cable providing quick service for maintenance significantly reducing engineer onsite visit time.

Ordering Information

VariPPC 250i/270i (Optional VariIO I/O Box-PE18)

PE17

- | | |
|-----------------|---|
| ▪ i5-7300U | Intel® Kaby Lake Core™ i5-7300U CPU up to 3.5 GHz |
| ▪ i3-6100U | Intel® Sky Lake Core™ i3-6100U 2.3 GHz CPU |
| ▪ Celeron 3955U | Intel® Sky Lake Celeron® 3955U 2.0 GHz CPU |

VariPPC 250A/270A (Optional VariIO I/O Box-PE19)

PE24

- | | |
|-----------------|---|
| ▪ Celeron J6412 | Intel® Elkhart Lake Celeron®J6412 2.60GHz CPU |
|-----------------|---|

PE26

- | | |
|------------|--|
| ▪ i5-1235U | Intel® Alder Lake-P Platform i5-1235U 1.3GHz up to 4.4 GHz |
| ▪ i3-1215U | Intel® Alder Lake-P Platform i3-1215U 1.2GHz up to 4.4GHz |



Multi-touch Screen



Waterproof - IP66 on Front Panel



Extendable VariIO I/O Box
Custom Type C connector

Detail Features

- CPUs from Celeron to Intel 12th Gen. Core i3/i5.
- True flat 15" 4:3 LCD, 400 nits / 17" 5:4 LCD, 400 nits (LED backlight) with IP66 protection.
- Standard VESA 75x75 Bracket, Wall/Pole-mount supported.
- Efficient onboard panel IO interface.
- Extendable IO capability to meet any project specification (Optional)
 - Rich VariIO I/O Box with customization options & independently mountable features
 - Compatible with simple I/O devices
 - Quick SWAP Design for easy maintenance.
- Peripheral compatibility across the whole VariPOS 2 Series: 2D Scanner, RFID, MSR, iButton & Fingerprint



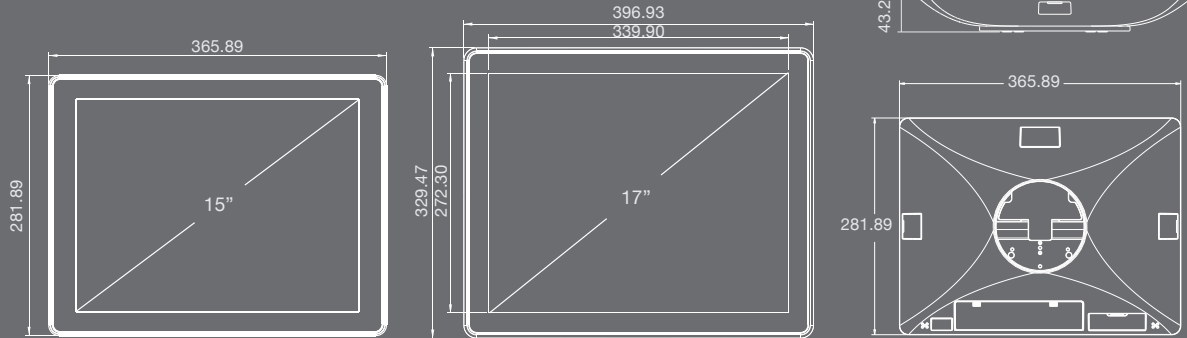
Specification

| Model Name | | • VariPPC 250i / 270i w/ IO box (PE17) | • VariPPC 250A/270A (PE24) | • VariPPC 250A/270A (PE26) |
|---------------------------------------|----------------------------------|--|---|---|
| Main Board | Processor | Intel® Core™ i5-7300U Intel® Core™ i3-6100U Intel® Celeron® 3955U | Intel® Celeron® J6412 | Intel® Alder Lake-P Platform i5-1235U i3-1215U |
| | Chipset | CPU Integrated | | |
| | System Memory | 1 x SO-DIMM DDR4 slot, 4GB RAM as standard. Max. memory support up to 16 GB. | | 1 x 8GB DDR5 SO-DIMM memory (Max.support up to 32 GB) |
| | TPM | Intel F/W | | |
| | Intel AMT | i5 only | N/A | i5 only |
| Display & Touch | LCD Size | 15" - 4:3 TFT LCD (LED backlight) 17" - 5:4 TFT LCD (LED backlight) | | |
| | Brightness | 400 nits | | |
| | Resolution | 15" - 1024 x 768 (4:3) / 17" - 1280 x 1024 (5:4) | | |
| | Touch | True Flat Projected Capacitive Technology | | |
| Storage | HDD/SSD | 1 x SATA III (2.5") | 1 x SATA III (2.5") or M.2 Storage (Option) | |
| Panel I/O | LAN Port | 1 x Gigabit Ethernet by RJ-45 | | |
| | USB Port | 2 x USB 3.0 | 3 x USB 2.0, 3 x USB 3.1 | |
| | Speaker | HD Audio, 2W Speaker x 2 | | |
| | COM | N/A | 2 x RJ48 | |
| | Type C | N/A | 1 x Type C (PD+DP) | |
| | Power Switch | 1 x power on/off button | | |
| VariIO I/O Box & Expansion (Optional) | Cash Drawer | 1 x RJ-11 (Support DC +12V or +24V (default)) port supports 2 cash drawers | | |
| | LAN Port | 1 x Gigabit Ethernet by RJ-45 | | |
| | USB Port | 2 x USB 3.0; 4 x USB 2.0 | | |
| | Powered USB Port (Project Based) | 2 x DC+12v Powered USB 1 x DC+24v Powered USB | | |
| | COM Port | 4 x RS-232 (jumper setting, support DC+0/5/12v, default setting is 0v) | | |
| | Type C | N/A | 1 x Type C | |
| OS Support | | Win 10 (64bit) / Win 7 (32bit/64bit) | Windows 10 (64bit) / Windows 11 (64bit) | |
| Power Adapter (External adapter) | | Voltage:+19VDC, Std. 90 watt *PUSB will use 180 watt adapter | Voltage:+19VDC, Std. 65 watt *PUSB will use 180 watt adapter | Voltage:+19VDC, Std. 90 watt *PUSB will use 180 watt adapter |
| Compliance | Certifications | CE, FCC, LVD, RoHS | | |
| | Protection | IP66 on front panel | | |
| Material | | Main Unit: Die-Cast Aluminum | | |
| Color | | Space Gray / Black (PPC) | | |
| Dimension (W x H x D mm) | | 365.89 x 281.89 x 43.23 mm (15") 396.93 x 329.47 x 42.75 mm (17") | | |
| Environmental Condition | Operating | 0°C ~ 40°C, 10% ~ 90% RH, non-condensing | | |
| | Storage | -20°C ~ 60°C, 10% ~ 90% RH, non-condensing | | |

| Model Name | | • VariPPC 250i / 270i w/ IO box(PE17) | • VariPPC 250A/270A (PE24) | • VariPPC 250A/270A (PE26) |
|----------------------|-------------|---|----------------------------|----------------------------|
| Optional Accessories | MSR | ISO 3-Tracks Slim MSR USB Type | | |
| | ibutton | Dallas USB Type | | |
| | RFID | 13.56Mhz USB Type | | |
| | Fingerprint | DigitalPersona, USB Type | | |
| | Scanner | 2D scanner, USB Type | | |
| Carton | | L 460 x W 300 x H 510 mm (15") / L 495 x W 315 x H 550 mm (17") | | |

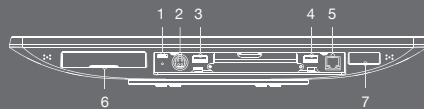
* The right has been reserved to change the specification without prior notice.

Dimensions



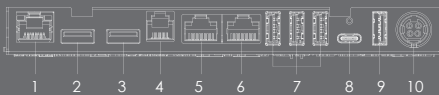
Panel PC IO Interface

VariPPC 250i/270i (Sky Lake/Kaby Lake-PE17)



1. USB Type C
2. DC 19V
3. USB 3.0
4. USB 3.0
5. LAN
6. 2.5" HDD
7. POWER

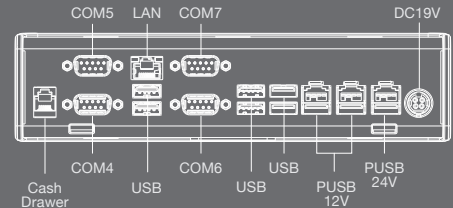
VariPPC 250A/270A (Elkhart Lake-PE24 / Alder Lake-PE26)



1. LAN
2. USB 3.0
3. USB 3.0
4. Cash Drawer
5. COM2
6. COM1
7. USB 2.0
8. USB Type C
9. USB 3.0
10. DC 19V

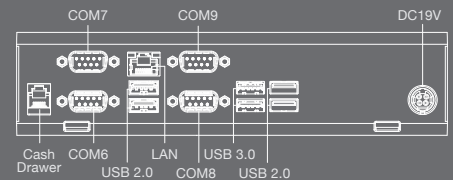
VariIO I/O Box

(PE18)



*PUSB-Project Based

(PE19)





Poindus Systems Corp. Headquarters | www.poindus.com

5F, No.59, Ln. 77, Xing-Ai Rd., Neihu Dist., Taipei City 114, Taiwan. R.O.C

☎ + 886 27721 4688

📠 + 886 27721 2289

✉ sales@poindus.com

Germany

ADASYS GmbH Elektronische Komponenten
Max-Planck-Str. 10 70806 Kornwestheim

☎ + 49 7154 83000

📠 + 49 7154 8300 599

✉ info@adasys.de

UK

3 Devonshire Business Park, Basingstoke,
Hampshire, RG21 6XN, UK

☎ +44 (0)1256 331 336

✉ puk@poindus.com

Spain/Portugal

C/ Los Sueños 14, Polígono Industrial Santa Cruz
29004 Málaga-Spain

☎ +34 956 108 777

✉ info@poindus.es